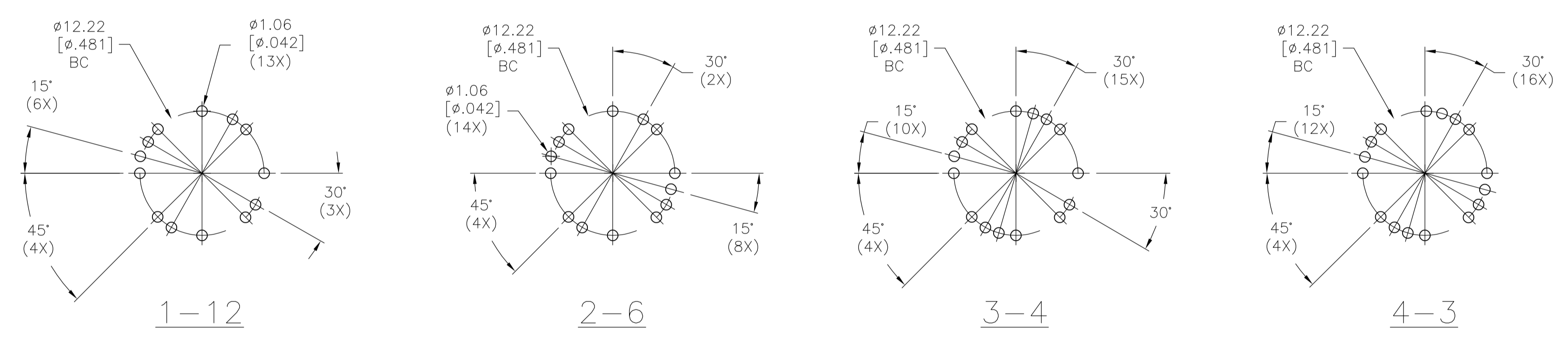


| SPECIFICATIONS                  |                                      |
|---------------------------------|--------------------------------------|
| RATING                          | .4VA MAX. @ 20VDC, OR PEAK AC        |
| TIMING                          | BREAK BEFORE MAKE                    |
| INITIAL CONTACT RESISTANCE      | 30 MILLIOHMS MAX                     |
| INSULATION RESISTANCE           | 10,000 MEGOHMS MIN                   |
| DIELECTRIC WITHSTANDING VOLTAGE | 1,000 VRMS AT SEA LEVEL              |
| DURABILITY                      | 10,000 CYCLES @ .4VA RESISTIVE       |
|                                 | 30,000 CYCLES @ .1μA 12VDC RESISTIVE |
| OPERATING FORCE                 | 14 INCH OUNCES                       |
| OPERATING TEMPERATURE           | -20°C TO +70°C                       |
| STORAGE TEMPERATURE             | -20°C TO +70°C                       |



RECOMMENDED PCB HOLE LAYOUTS (VIEWED FROM SHAFT END)  
TOLERANCE ±.002. UNLESS OTHERWISE NOTED.

NOTES:

1. TERMINAL NUMBERS ARE FOR REFERENCE ONLY AND DO NOT APPEAR ON SWITCHES.
2. ALL MATERIALS AND FINISHES SHALL COMPLY WITH EU DIRECTIVE 2002/95/EC OF 27JAN2003 (ROHS).
3. EACH SWITCH SUPPLIED WITH THE FOLLOWING MOUNTING HARDWARE:  
(2) HEX NUTS.  
(1) LOCKING RING FOR ANTIROTATION.  
(1) INTERNAL TOOTH LOCKWASHER.

| MATERIALS                 |                 |                  |
|---------------------------|-----------------|------------------|
| COMPONENT NAME            | BASE MATERIAL   | FINISH           |
| BASE                      | EPOXY           | -                |
| FIXED CONTACT             | BRASS           | GOLD OVER NICKEL |
| TERMINAL                  | BRASS           | TIN OVER NICKEL  |
| MOVEABLE CONTACT          | PHOSPHOR BRONZE | GOLD OVER NICKEL |
| ROTOR                     | PBT             | -                |
| BALL                      | STEEL           | -                |
| SPRING                    | PIANO WIRE      | -                |
| STOPPER                   | STEEL           | ZINC             |
| BUSHING                   | ZINC            | NICKEL           |
| SHAFT                     | BRASS           | NICKEL           |
| LOCKING RING              | STEEL           | ZINC             |
| HEX NUT                   | BRASS           | NICKEL           |
| INTERNAL TOOTH LOCKWASHER | STEEL           | ZINC             |

|                  |                 |              |          |             |
|------------------|-----------------|--------------|----------|-------------|
| 9 [.35]          | 3~4 ADJUSTABLE  | 3            | MRJ34904 | 1825535-5   |
| 19 [.75]         | 4~3 ADJUSTABLE  | 4            | MRJ4304  | 1825535-4   |
| 19 [.75]         | 3~4 ADJUSTABLE  | 3            | MRJ3404  | 1825535-3   |
| 19 [.75]         | 2~6 ADJUSTABLE  | 2            | MRJ2604  | 1825535-2   |
| 19 [.75]         | 1~12 ADJUSTABLE | 1            | MRJ11204 | 1825535-1   |
| "A" SHAFT LENGTH | POSITIONS       | NO. OF POLES | ALCO P/N | PART NUMBER |

|   |  |                  |         |                                 |            |
|---|--|------------------|---------|---------------------------------|------------|
| THIS DRAWING IS A CONTROLLED DOCUMENT.  |  | DIN REV B ED     | DAMAYB3 | TE Connectivity                 |            |
| DIMENSIONS: mm [INCHES]   | TOLERANCES UNLESS OTHERWISE SPECIFIED: | APVD             | NAME    | MINIATURE ROTARY SWITCH         |            |
| 0 PLC ± -<br>1 PLC ± 5.08 [.2]<br>2 PLC ± 2.54 [1]<br>3 PLC ± -<br>4 PLC ± -<br>ANGLES ± ± 1° |  | PRODUCT SPEC     |         | 12 POS.-30° DETENT (MRJ SERIES) |            |
| MATERIAL SEE SPECIFICATIONS   | FINISH SEE SPECIFICATIONS              | APPLICATION SPEC | SIZE    | CAGE CODE                       | DRAWING NO |
|   |  | RESTRICTED TO    | A1      | 00779                           | 1825535    |
| CUSTOMER DRAWING  |  | SCALE            | 3:1     | SHEET                           | 1 OF 1     |
|   |  | REV              | A4      |                                 |            |

## X-ON Electronics

Largest Supplier of Electrical and Electronic Components

*Click to view similar products for [Rotary Switches](#) category:*

*Click to view products by [TE Connectivity](#) manufacturer:*

Other Similar products are found below :

[57HS22-02-2-06N](#) [57M22-02B16N](#) [57M22-09A16N](#) [58J1007](#) [58J8A45-01B05N](#) [59M18-02A20N](#) [M3786/39-3BA](#) [M3786/39-LMC](#)  
[M3786/4-0007](#) [M3786/4-0073](#) [M3786/4-0182](#) [M3786/4-0640](#) [M3786/4-0873](#) [M3786/4-0881](#) [M3786/4-3187](#) [M3786/4-3267](#) [M3786/4-5272](#)  
[M3786/4-5568](#) [M3786/4-5876](#) [M3786/4-6029](#) [71ESF30-05204N](#) [MC06L1NCGF](#) [FA201BKGN](#) [84986-26](#) [9003K2C003GA](#) [PLR3251](#)  
[PLR3262](#) [PS3](#) [A019305](#) [A019306](#) [A019501](#) [A165W-T2AR](#) [R2AA2133NNNN](#) [R2AA4455NNNN](#) [R2BB4455NNNN](#) [ACSNO-6123-FB-](#)  
[C6002](#) [DR75-AMSF-10R-B](#) [14-520.0360](#) [BCK1006](#) [1703.3201](#) [HW1MS-0202-101](#) [C6P0206N-A](#) [24002-03S](#) [A019109](#) [A029101](#) [A165W-](#)  
[T3MR](#) [A22NS-3BM-NRA-G120-NN](#) [ACSNO-129-YB-C1014](#) [ACSNO-134-RR-YB-C1005](#) [ACSNO-353-SB-C3016](#)