

TERMINAL, SOLIS R 12-10 3/8 ✓ ACTIVE

SOLISTRAND

TE Part # 33220

TE Internal #: 33220

Mil-Spec: [MS20659-128]

[View on TE.com >](#)



Terminals & Splices > Rings & Spades



Terminal & Splice Type: **Ring Tongue**

Wire Size: **5180 – 13100 CMA**

Stud Size: **3/8**

Features

Product Type Features

Shape Description	RING-048
Stud Size	3/8
Barrel Type	Closed Barrel
Sealable	No
Insulated	No
Wire/Cable Type	Regular Wire

Configuration Features

Number of Holes	1
Terminal Angle	Straight

Body Features

Inspection Slot	No
Plating Material	Copper, Tin

Contact Features

Military Part Class	Class I
Terminal & Splice Type	Ring Tongue
Terminal Orientation	Offset

Mechanical Attachment

Wire Insulation Support	Without
-------------------------	---------

Dimensions

Wire Size	5180 – 13100 CMA
-----------	------------------



Stud Diameter	9.53 mm[.375 in]
Tongue Thickness	1.07 mm[.042 in]
Overall Length	27.89 mm[1.098 in]
Barrel Inside Diameter	3.28 mm[.129 in]

Usage Conditions

Operating Temperature Range	170 °C[338 °F]
-----------------------------	----------------

Operation/Application

Heavy Duty	No
------------	----

Industry Standards

Government Qualified	Yes
----------------------	-----

Packaging Features

Packaging Quantity	500
Packaging Method	Package

Product Compliance

[For compliance documentation, visit the product page on TE.com>](#)

EU RoHS Directive 2011/65/EU	Compliant
EU ELV Directive 2000/53/EC	Compliant
China RoHS 2 Directive MIIT Order No 32, 2016	No Restricted Materials Above Threshold
EU REACH Regulation (EC) No. 1907/2006	Current ECHA Candidate List: JAN 2019 (197) Candidate List Declared Against: JAN 2019 (197)
Halogen Content	Low Halogen - Br, Cl, F, I < 900 ppm per homogenous material. Also BFR/CFR/PVC Free
Solder Process Capability	Not applicable for solder process capability

Product Compliance Disclaimer

This information is provided based on reasonable inquiry of our suppliers and represents our current actual knowledge based on the information they provided. This information is subject to change. The part numbers that TE has identified as EU RoHS compliant have a maximum concentration of 0.1% by weight in homogenous materials for lead, hexavalent chromium, mercury, PBB, PBDE, DBP, BBP, DEHP, DIBP, and 0.01% for cadmium, or qualify for an exemption to these limits as defined in the Annexes of Directive 2011/65/EU (RoHS2). Finished electrical and electronic equipment products will be CE marked as required by Directive 2011/65/EU. Components may not be CE marked. Additionally, the part numbers that TE has identified as EU ELV compliant have a maximum concentration of 0.1% by weight in homogenous materials for lead, hexavalent chromium, and mercury, and 0.01% for cadmium, or qualify for an exemption to these limits as defined in the Annexes of Directive 2000/53/EC (ELV). Regarding the REACH Regulations, TE's information on SVHC in articles for this part number is still based on the European Chemical Agency (ECHA) 'Guidance on requirements for substances in articles'(Version: 2, April 2011), applying the 0.1% weight on weight concentration threshold at the finished

product level. TE is aware of the European Court of Justice ruling of September 10th, 2015 also known as O5A (Once An Article Always An Article) stating that, in case of 'complex object', the threshold for a SVHC must be applied to both the product as a whole and simultaneously to each of the articles forming part of its composition. TE has evaluated this ruling based on the new ECHA "Guidance on requirements for substances in articles" (June 2017, version 4.0) and will be updating its statements accordingly.

Compatible Parts



TE Part # 58545-1
 SOLISTRAND 10-22 DIE
 ASSY



TE Part # 58545-3
 SDE DIE ASSY. 22-10
 SOLISTRAND




TE Part # 58546-1
 PC 22-10 SOLISSPICE SPL
 I SHT



TE Part # 47814
 DIE SOLIS STRANDED
 69365 12-10



TE Part # 539662-2
 MATR SOLISTR 0,3-6,



TE Part # 49935
 DAHT SOLIS 22-10



TE Part # 525693
 22-10 TYPE W D.A.H.T.
 ASSY

Customers Also Bought



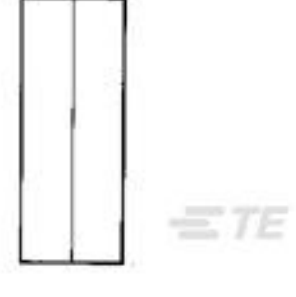
TE Part #890113-000
 S1048-TAPE-1X100-FT



TE Part #35135
 TERMINAL,SOLIS R 12-10 1
 /2



TE Part #33459
 TERMINAL,SOLIS R 12-10 5
 /16



TE Part #34320
 SPLICE,SOLIS PARA 4



TE Part #34126
 TERMINAL,SOLIS R 16-14 3
 /8



TE Part #280756-4
 FF 375 REC 3-6MM2 TPPB



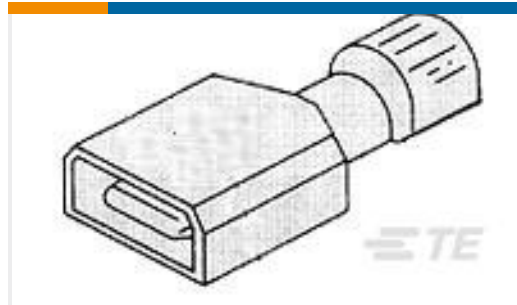
TE Part #42281-2
 FF 250 REC 18-14AWG
 TPBR



TE Part #931901-000
 2021D0309-0



TE Part #130599P006
[ES2000-NO.4-B7-0-STK](#)



TE Part #3-520106-2
[ULTRA-FAST 250 ASY TAB](#)
[16-14 AWG TPBR](#)

Documents

Product Drawings

[TERMINAL,SOLIS R 12-10 3/8](#)

English

CAD Files

Customer View Model

[ENG_CVM_CVM_33220_V.2d_dxf.zip](#)

English

3D PDF

3D

Customer View Model

[ENG_CVM_CVM_33220_V.3d_igs.zip](#)

English

Customer View Model

[ENG_CVM_CVM_33220_V.3d_stp.zip](#)

English

Product Environmental Compliance

[TE Material Declaration](#)

English

Agency Approvals

[UL](#)

English

X-ON Electronics

Largest Supplier of Electrical and Electronic Components

Click to view similar products for [Terminals](#) category:

Click to view products by [TE Connectivity](#) manufacturer:

Other Similar products are found below :

[00-054007-01074-6](#) [00-054007-70206-1](#) [00-054007-70210-8](#) [00-054007-70217-7](#) [00-054007-70226-9](#) [00-054007-70228-3](#) [00-054007-70248-1](#) [00-054007-70256-6](#) [00-054007-70301-3](#) [00-054007-70316-7](#) [0-0320562-0](#) [00-054007-49560-4](#) [00-054007-70209-2](#) [00-054007-70225-2](#) [00-054007-70227-6](#) [00-054007-70231-3](#) [00-054007-70241-2](#) [00-054007-70242-9](#) [00-054007-70244-3](#) [00-054007-70246-7](#) [00-054007-70263-4](#) [00-054007-70288-7](#) [00-054007-70290-0](#) [00-054007-70300-6](#) [00-054007-70304-4](#) [01-2065-1-0216](#) [01-2900-1-04412](#) [00581P0075](#) [600TS-10](#) [60205-1](#) [604200-1](#) [605601-1](#) [60598-1-CUT-TAPE](#) [61314-6-C](#) [61810-3](#) [61-S](#) [61-SN](#) [626-0194](#) [62-NBM-A](#) [62-SN](#) [62-SP](#) [63-S](#) [640179-1](#) [M55155/059I03](#) [M55155/079C01](#) [M55155/099H02](#) [M55155/109H01](#) [M55155/109H02](#) [M55155/12XH05](#) [M55155/16XH02](#)