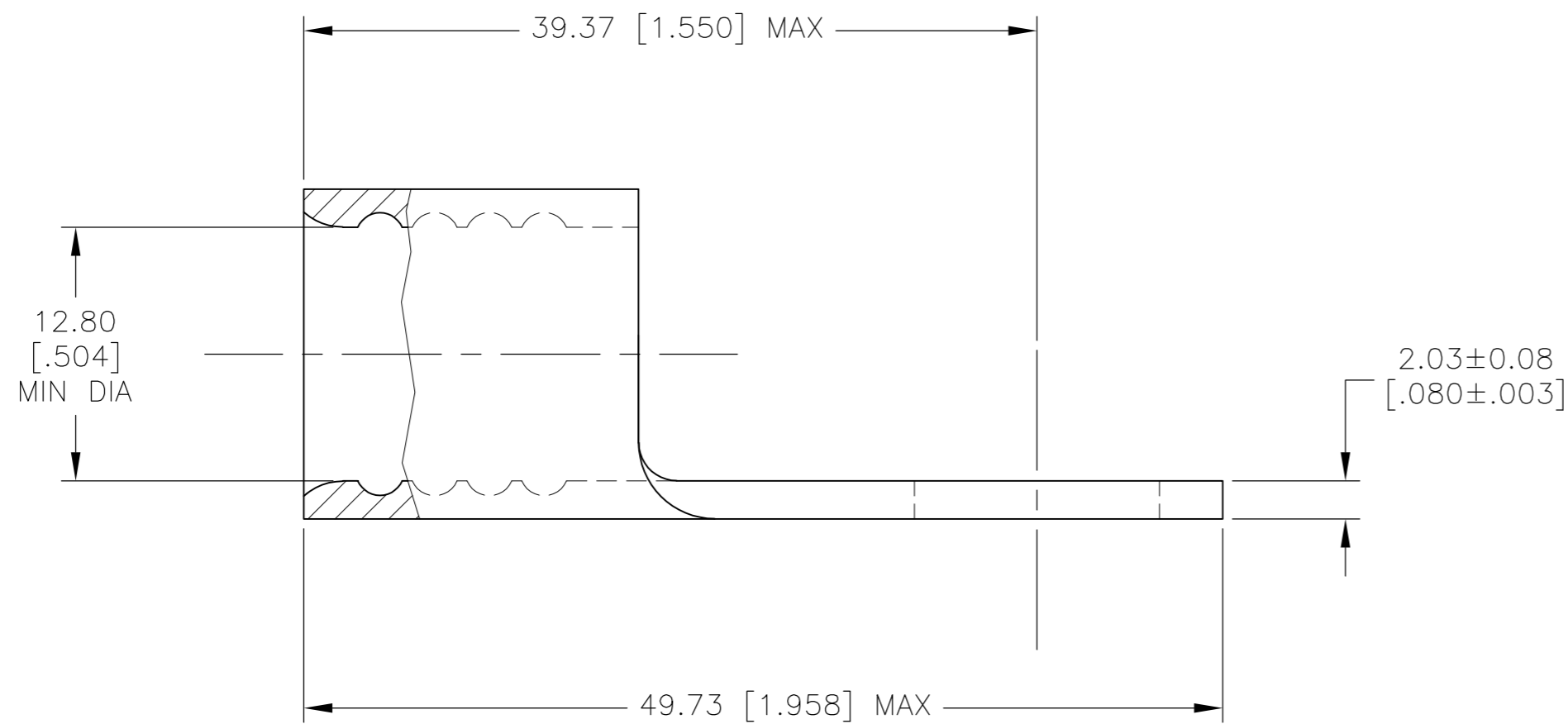
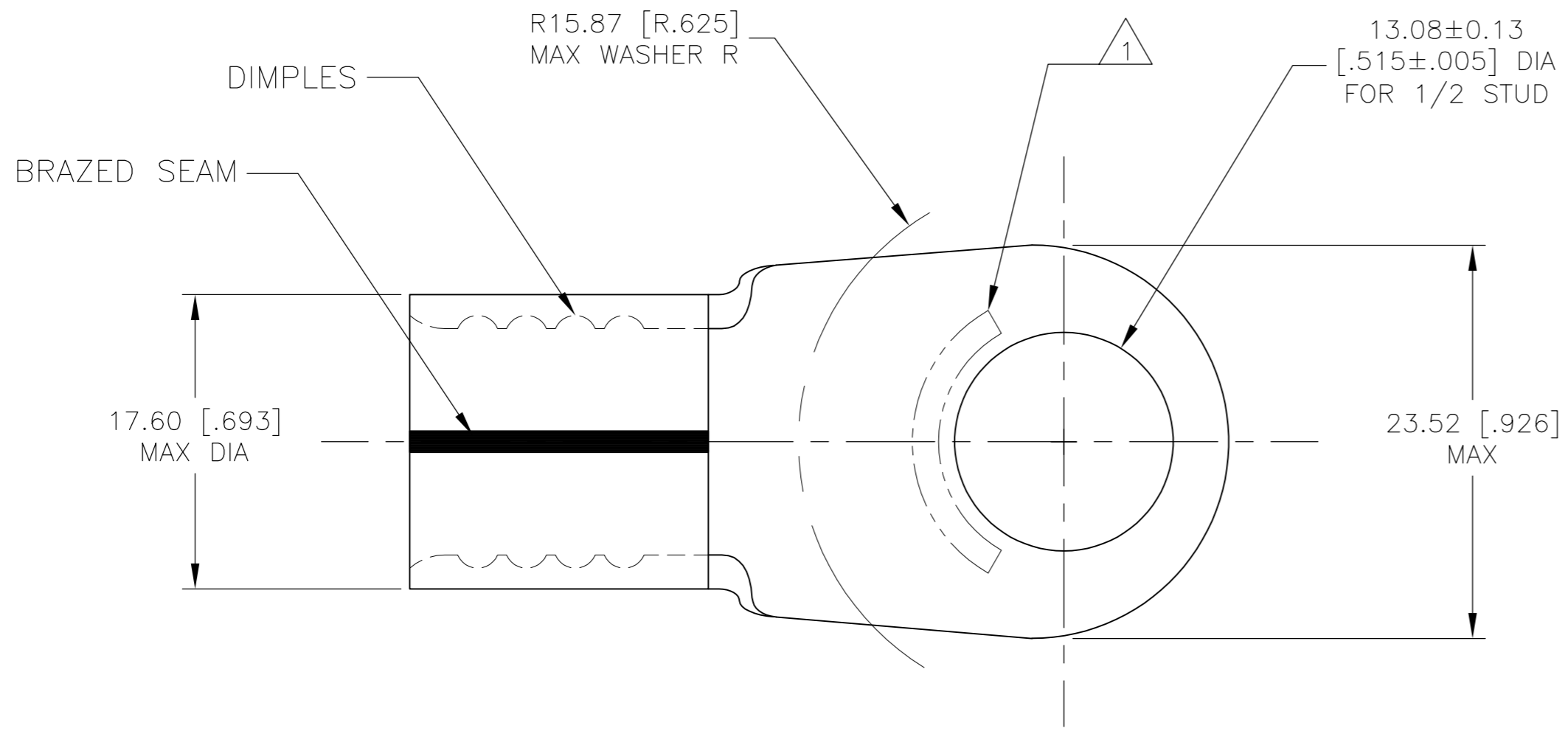


THIS DRAWING IS UNPUBLISHED. RELEASED FOR PUBLICATION
 © COPYRIGHT - By - ALL RIGHTS RESERVED.

LOC		DIST		REVISIONS			
P	LTR	DESCRIPTION		DATE	DWN	APVD	
G	14	H1	REVISED PER ECO-15-001396		30JAN2015	NK	DR



AMP WIRE RANGE	Listed FILE E13288	LR7189 Certified
2/0 AWG SOLID OR STRANDED	2/0 AWG STRANDED	2/0 AWG SOLID OR STRANDED

- 1 STAMP AMP 2/0W* APPROX AS SHOWN.
- 2 TIN PLATE 0.00254 [.000100] MIN THK PER ASTM B-545.
- 3 BRIGHT TIN LEAD PLATE 0.00254 [.000100] MIN EXT THK PER B-545.
- 4 COPPER PER ASTM B-152, ANNEALED.
- 5 MEETS MS20659-136, CLASS 2.
- 6 NICKEL PLATE 0.00762 [.00030] MIN EXT. THK. PER SAE AMS QQ-N-290.
- 7 NOT UL OR CSA APPROVED FOR STRANDED WIRE ONLY.

MAX RECOMMENDED OPERATING TEMP.	QTY	PACKAGE TYPE	FINISH	PART NO.
170°C [338°F]	50	LOOSE PIECE	3	2-321873-2
343°C [650°F]	50	LOOSE PIECE	6	321873-2
170°C [338°F]	50	LOOSE PIECE	2	321873

MAX RECOMMENDED OPERATING TEMPERATURE: SEE TABLE	THIS DRAWING IS A CONTROLLED DOCUMENT.		DWN DK SCHRUM 1/14/94	TE Connectivity
	VOLTAGE RATING: N/A	DIMENSIONS: MM [INCHES]	CHK AJ KAUFMAN 1/19/94	
CIRCULAR MIL AREA: 60.6-76.3mm ² [119,500-150,500] SOLID OR STRANDED	TOLERANCES UNLESS OTHERWISE SPECIFIED: 0 PLC ± - 1 PLC ± - 2 PLC ± 0.20[.008] 3 PLC ± - 4 PLC ± - ANGLES ± -	APVD JL MECKLEY 1/19/94	PRODUCT SPEC -	TERMINAL, RING TONGUE, SOLISTRAND
MATERIAL 4	FINISH SEE TABLE	APPLICATION SPEC -	WEIGHT -	SIZE A2
		CUSTOMER DRAWING	SCALE 2:1	DRAWING NO 00779
			SHEET 1 of 1	RESTRICTED TO -
			REV H1	DRAWING NO 321873

X-ON Electronics

Largest Supplier of Electrical and Electronic Components

Click to view similar products for [Terminals](#) category:

Click to view products by [TE Connectivity](#) manufacturer:

Other Similar products are found below :

[00-054007-01074-6](#) [00-054007-70206-1](#) [00-054007-70210-8](#) [00-054007-70217-7](#) [00-054007-70226-9](#) [00-054007-70228-3](#) [00-054007-70248-1](#) [00-054007-70256-6](#) [00-054007-70301-3](#) [00-054007-70316-7](#) [0-0320562-0](#) [00-054007-49560-4](#) [00-054007-70209-2](#) [00-054007-70225-2](#) [00-054007-70227-6](#) [00-054007-70231-3](#) [00-054007-70241-2](#) [00-054007-70242-9](#) [00-054007-70244-3](#) [00-054007-70246-7](#) [00-054007-70263-4](#) [00-054007-70288-7](#) [00-054007-70290-0](#) [00-054007-70300-6](#) [00-054007-70304-4](#) [01-2065-1-0216](#) [01-2900-1-04412](#) [00581P0075](#) [600TS-10](#) [60205-1](#) [604200-1](#) [605601-1](#) [60598-1-CUT-TAPE](#) [61314-6-C](#) [61810-3](#) [61-S](#) [61-SN](#) [626-0194](#) [62-NBM-A](#) [62-SN](#) [62-SP](#) [63-S](#) [640179-1](#) [M55155/059I03](#) [M55155/079C01](#) [M55155/099H02](#) [M55155/109H01](#) [M55155/109H02](#) [M55155/12XH05](#) [M55155/16XH02](#)