

# TERMINAL, SOLIS R 4 10 ✓ ACTIVE

## SOLISTRAND

TE Part # 33114

TE Internal #: 33114

Mil-Spec: [MS20659-144]

[View on TE.com >](#)



Terminals & Splices > Rings & Spades



Terminal & Splice Type: **Ring Tongue**

Wire Size: **33100 – 52600 CMA**

Stud Size: **#10**

### Features

#### Product Type Features

|                   |               |
|-------------------|---------------|
| Shape Description | RING-049      |
| Stud Size         | #10           |
| Barrel Type       | Closed Barrel |
| Sealable          | No            |
| Insulated         | No            |
| Wire/Cable Type   | Regular Wire  |

#### Configuration Features

|                 |          |
|-----------------|----------|
| Number of Holes | 1        |
| Terminal Angle  | Straight |

#### Body Features

|                  |             |
|------------------|-------------|
| Inspection Slot  | No          |
| Plating Material | Copper, Tin |

#### Contact Features

|                        |             |
|------------------------|-------------|
| Military Part Class    | Class II    |
| Terminal & Splice Type | Ring Tongue |
| Terminal Orientation   | Offset      |

#### Mechanical Attachment

|                         |         |
|-------------------------|---------|
| Wire Insulation Support | Without |
|-------------------------|---------|

#### Dimensions

|           |                   |
|-----------|-------------------|
| Wire Size | 33100 – 52600 CMA |
|-----------|-------------------|



|                        |                    |
|------------------------|--------------------|
| Stud Diameter          | 4.82 mm[.19 in]    |
| Tongue Thickness       | 1.85 mm[.073 in]   |
| Overall Length         | 30.45 mm[1.199 in] |
| Barrel Inside Diameter | 7.11 mm[.28 in]    |

**Usage Conditions**

|                             |                |
|-----------------------------|----------------|
| Operating Temperature Range | 170 °C[338 °F] |
|-----------------------------|----------------|

**Operation/Application**

|            |    |
|------------|----|
| Heavy Duty | No |
|------------|----|

**Industry Standards**

|                      |     |
|----------------------|-----|
| Government Qualified | Yes |
|----------------------|-----|

**Packaging Features**

|                    |             |
|--------------------|-------------|
| Packaging Quantity | 100         |
| Packaging Method   | Loose Piece |

**Product Compliance**

[For compliance documentation, visit the product page on TE.com>](#)

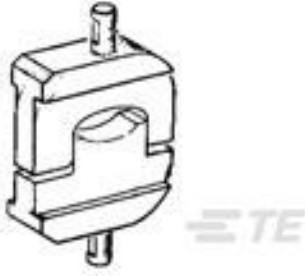
|   |  |
|---|--|
| EU RoHS Directive 2011/65/EU                  | Compliant  |
| EU ELV Directive 2000/53/EC                   | Compliant  |
| China RoHS 2 Directive MIIT Order No 32, 2016 | No Restricted Materials Above Threshold  |
| EU REACH Regulation (EC) No. 1907/2006        | Current ECHA Candidate List: JAN 2019 (197)<br>Candidate List Declared Against: JAN 2018 (181) |
| Halogen Content                               | Low Halogen - Br, Cl, F, I < 900 ppm per homogenous material. Also BFR/CFR/PVC Free            |
| Solder Process Capability                     | Not applicable for solder process capability   |

Product Compliance Disclaimer

This information is provided based on reasonable inquiry of our suppliers and represents our current actual knowledge based on the information they provided. This information is subject to change. The part numbers that TE has identified as EU RoHS compliant have a maximum concentration of 0.1% by weight in homogenous materials for lead, hexavalent chromium, mercury, PBB, PBDE, DBP, BBP, DEHP, DIBP, and 0.01% for cadmium, or qualify for an exemption to these limits as defined in the Annexes of Directive 2011/65/EU (RoHS2). Finished electrical and electronic equipment products will be CE marked as required by Directive 2011/65/EU. Components may not be CE marked. Additionally, the part numbers that TE has identified as EU ELV compliant have a maximum concentration of 0.1% by weight in homogenous materials for lead, hexavalent chromium, and mercury, and 0.01% for cadmium, or qualify for an exemption to these limits as defined in the Annexes of Directive 2000/53/EC (ELV). Regarding the REACH Regulations, TE's information on SVHC in articles for this part number is still based on the European Chemical Agency (ECHA) 'Guidance on requirements for substances in articles'(Version: 2, April 2011), applying the 0.1% weight on weight concentration threshold at the finished

product level. TE is aware of the European Court of Justice ruling of September 10th, 2015 also known as O5A (Once An Article Always An Article) stating that, in case of 'complex object', the threshold for a SVHC must be applied to both the product as a whole and simultaneously to each of the articles forming part of its composition. TE has evaluated this ruling based on the new ECHA "Guidance on requirements for substances in articles" (June 2017, version 4.0) and will be updating its statements accordingly.

## Compatible Parts



TE Part # 69218  
 DIE SOLIS 69099 #4



TE Part # 600850  
 ROTO-CRIMP TOOL (ASI)



TE Part # 601075  
 BANTAM ROTA-CRIMP TOOL



TE Part # 1901000-2  
 NEST #4



TE Part # 1490414-2  
 INDENTER,U-DIE,  
 SOLISTRAND #6-2



TE Part # 1490413-3  
 NEST,U-DIE,SOLISTRAND  
 #4



TE Part # 48129  
 NEST INSERT SOLIS 065,  
 067 #4



TE Part # 48127  
 INDENTER INSERT, SOLIS  
 #6

## Customers Also Bought



TE Part #33115  
 TERMINAL,SOLIS R 4 5/16



TE Part #31811  
 TERMINAL,SOLIS R 4 1/4



TE Part #321298  
 TERMINAL,SOLIS R 6 10



TE Part #640919-2  
 RECEPT,PIDG FASTON 16-  
 14 187




TE Part #770051-1  
 06P UMNL II CAP-FRONT  
 94VO



TE Part #770052-1  
 06P UMNL II CAP REAR  
 94VO



TE Part #1490413-1  
 NEST,U-DIE,SOLISTRAND  
 #8



TE Part #1490414-1  
 INDENTER,U-DIE,  
 SOLISTRAND #8



TE Part #217885-6  
CRIMPER, WIRE "F"



TE Part #745254-3  
20 DF PIN PLTD

## Documents

### Product Drawings

[TERMINAL,SOLIS R 4 10](#)

English

---

### CAD Files

Customer View Model

[ENG\\_CVM\\_CVM\\_33114\\_Z.2d\\_dxf.zip](#)

English

### 3D PDF

3D

Customer View Model

[ENG\\_CVM\\_CVM\\_33114\\_Z.3d\\_igs.zip](#)

English

Customer View Model

[ENG\\_CVM\\_CVM\\_33114\\_Z.3d\\_stp.zip](#)

English

---

### Product Environmental Compliance

[TE Material Declaration](#)

English

---

### Agency Approvals

[UL Report](#)

English

[UL Report](#)

English

## X-ON Electronics

Largest Supplier of Electrical and Electronic Components

*Click to view similar products for [Terminals](#) category:*

*Click to view products by [TE Connectivity](#) manufacturer:*

Other Similar products are found below :

[00-054007-01074-6](#) [00-054007-70206-1](#) [00-054007-70210-8](#) [00-054007-70217-7](#) [00-054007-70226-9](#) [00-054007-70228-3](#) [00-054007-70248-1](#) [00-054007-70256-6](#) [00-054007-70301-3](#) [00-054007-70316-7](#) [00-054007-49560-4](#) [00-054007-70209-2](#) [00-054007-70225-2](#) [00-054007-70227-6](#) [00-054007-70231-3](#) [00-054007-70241-2](#) [00-054007-70242-9](#) [00-054007-70244-3](#) [00-054007-70246-7](#) [00-054007-70263-4](#) [00-054007-70288-7](#) [00-054007-70290-0](#) [00-054007-70300-6](#) [00-054007-70304-4](#) [01-2065-1-0216](#) [01-2900-1-04412](#) [00581P0075](#) [600TS-10](#) [60205-1](#) [604200-1](#) [605601-1](#) [60598-1-CUT-TAPE](#) [61314-6-C](#) [61810-3](#) [61-S](#) [61-SN](#) [626-0194](#) [62-NBM-A](#) [62-SN](#) [62-SP](#) [63-S](#) [640179-1](#) [M55155/059I03](#) [M55155/079C01](#) [M55155/099H02](#) [M55155/109H01](#) [M55155/109H02](#) [M55155/12XH05](#) [M55155/16XH02](#) [M55155/29-5S](#)