

P	LTR	DESCRIPTION	DATE	DWN	APVD
	F2	REVISED PER ECO-11-004820	11MAR11	RK	HMR
	F3	REVISED PER ECO-17-014333	16OCT2017	RS	DR

**AMP**  
WIRE RANGE

8 AWG  
STRANDED

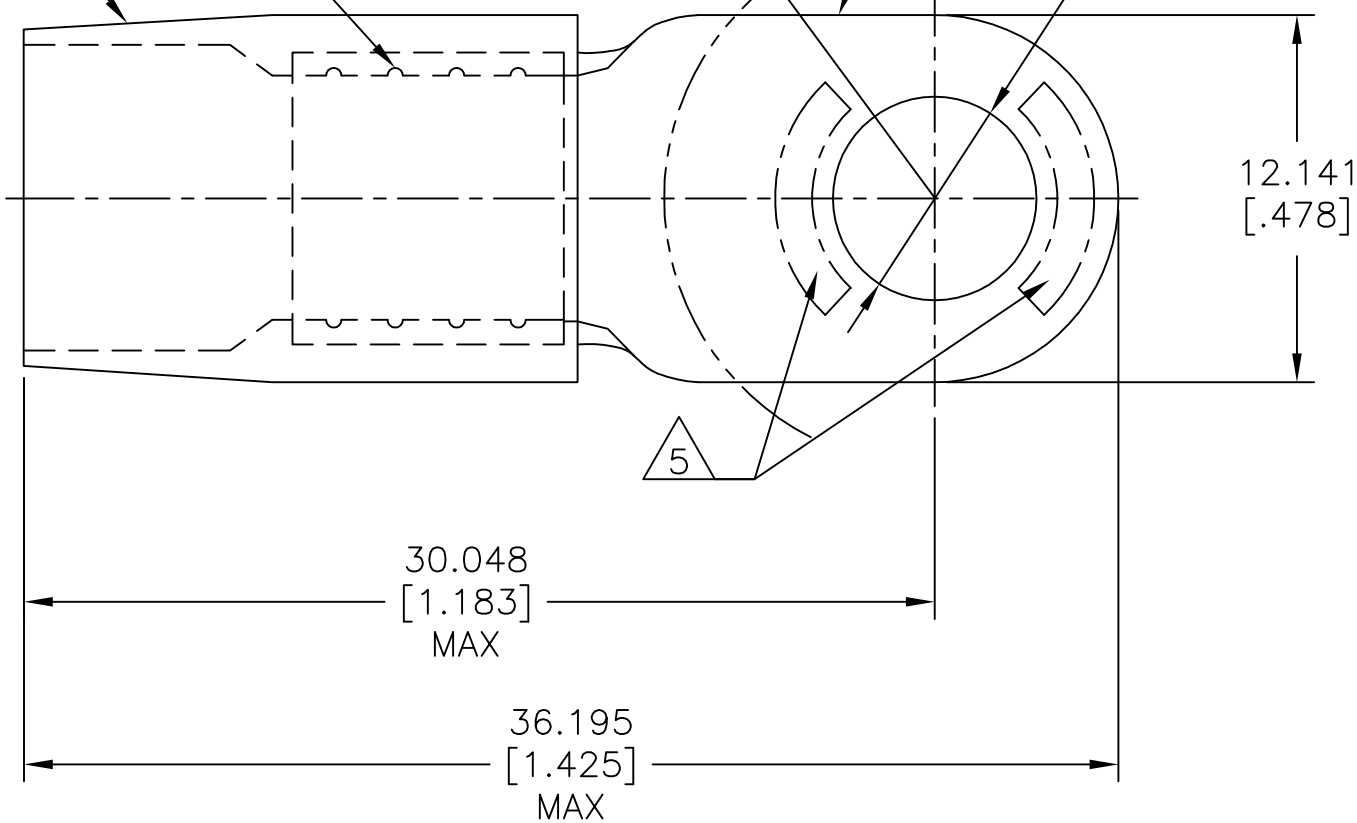
DIMPLED SURFACE

INSULATION

R 11.100  
[R.437]  
MAX WASHER R

BODY

$\phi 6.731 \pm 0.127$   
[ $\phi .265 \pm .005$ ]  
(FOR M6[1/4] STUD)



- 1 BODY MATERIAL THK  $0.991 \pm 0.051$  [.039 ± .002]
- 2 FOR  $\phi 6.502$  [0.256] MAX WIRE INSULATION.
- 3 BODY - COPPER PER ASTM B-152  
INSULATION - NYLON, ASTM D4066 TYPE 1
- 4 BODY - TIN PLATE PER ASTM B-545  
INSULATION - COLOR-RED
- 5 STAMP AMP 8\* 14 APPROX AS SHOWN.

MS25036-116 CLASS 2	100	LOOSE PC	324082
MILITARY P/N AND CLASS	QTY	PACKAGE TYPE	PART NO

MAX RECOMMENDED OPERATING TEMPERATURE: 105°C [221°F]
VOLTAGE RATING: N/A
CIRCULAR MIL AREA: 6.64-10.5mm <sup>2</sup> [13,100-20,800] STRANDED

THIS DRAWING IS A CONTROLLED DOCUMENT.	
DIMENSIONS: mm [INCHES]	TOLERANCES UNLESS OTHERWISE SPECIFIED:
	0 PLC ± -
	1 PLC ± -
	2 PLC ± -
	3 PLC ± 0.127[.005]
	4 PLC ± -
	ANGLES ± -
MATERIAL	FINISH
3	4

DWN	JR RUTH	6-21-93
CHK	R. HERSEY	6-21-93
APVD	M ELLIS	6-21-93
PRODUCT SPEC	SAE AS7928	
APPLICATION SPEC	-	
WEIGHT	-	

<b>STE</b> TE Connectivity			
NAME TERMINAL, RING TONGUE, TERMINYL WIRE SIZE: 8 AWG			
SIZE	CAGE CODE	DRAWING NO	RESTRICTED TO
A3	00779	C=324082	-
CUSTOMER DRAWING		SCALE 4:1	SHEET 1 OF 1 REV F3

## X-ON Electronics

Largest Supplier of Electrical and Electronic Components

*Click to view similar products for [Terminals](#) category:*

*Click to view products by [TE Connectivity](#) manufacturer:*

Other Similar products are found below :

[00-054007-01074-6](#) [00-054007-70206-1](#) [00-054007-70210-8](#) [00-054007-70217-7](#) [00-054007-70226-9](#) [00-054007-70228-3](#) [00-054007-70248-1](#) [00-054007-70256-6](#) [00-054007-70301-3](#) [00-054007-70316-7](#) [00-054007-49560-4](#) [00-054007-70209-2](#) [00-054007-70225-2](#) [00-054007-70227-6](#) [00-054007-70231-3](#) [00-054007-70241-2](#) [00-054007-70242-9](#) [00-054007-70244-3](#) [00-054007-70246-7](#) [00-054007-70263-4](#) [00-054007-70288-7](#) [00-054007-70290-0](#) [00-054007-70300-6](#) [00-054007-70304-4](#) [01-2065-1-0216](#) [01-2900-1-04412](#) [00581P0075](#) [600TS-10](#) [60205-1](#) [604200-1](#) [605601-1](#) [60598-1-CUT-TAPE](#) [61314-6-C](#) [61810-3](#) [61-S](#) [61-SN](#) [626-0194](#) [62-NBM-A](#) [62-SN](#) [62-SP](#) [63-S](#) [640179-1](#) [M55155/059I03](#) [M55155/079C01](#) [M55155/099H02](#) [M55155/109H01](#) [M55155/109H02](#) [M55155/12XH05](#) [M55155/16XH02](#) [M55155/29-5S](#)