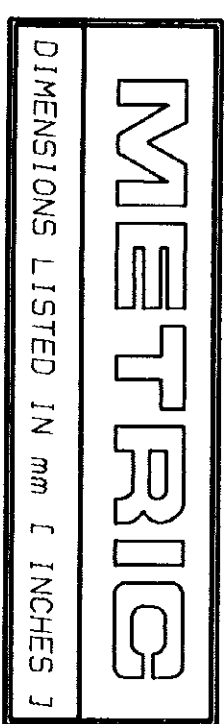
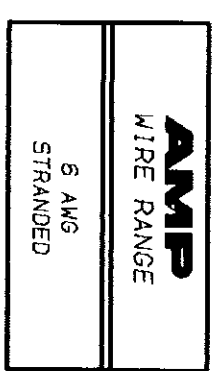


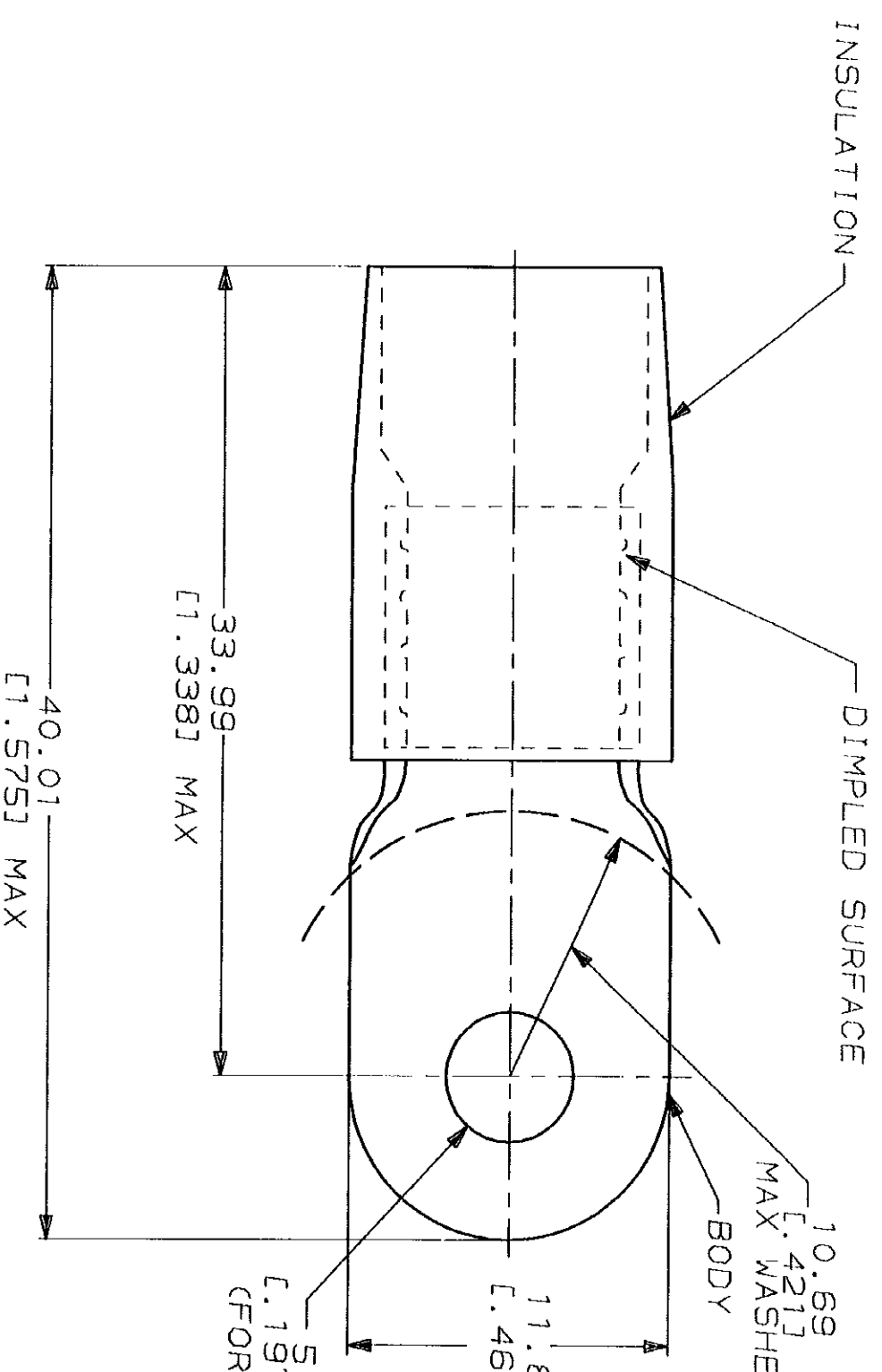
THIS DRAWING IS UNPUBLISHED. RELEASED FOR PUBLICATION BY AMP INCORPORATED. ALL INTERNATIONAL RIGHTS RESERVED. © COPYRIGHT 1993

LOC	DIST	P	F	ZONE	LTR	DESCRIPTION	DATE	APPD
G	14			G	EC	0720-0279-93	6-18-93	SSB BB

REVISIONS



1. TONGUE MATERIAL THK 1.14±0.08 [0.045±.003]
 FOR 7.98 [0.314] MAX WIRE INS DIA



AMP INCORPORATED
 CUSTOMER SERVICE SYSTEMS

FOR ADDITIONAL PRODUCT INFORMATION OR COPIES OF DRAWINGS AND TECHNICAL DOCUMENTS	1-800-522-6752	PRODUCT INFORMATION CENTER
FOR APPLICATION TOOLING INFORMATION	1-800-722-1111	TOOLING ASSISTANCE CENTER
FOR ORDER ENTRY	1-800-526-5142	

MS25036-119 CLASS 2	MILITARY P/N AND CLASS	DO NOT SCALE PRINT. UNLESS SPECIFIED OTHERWISE: DIMENSIONS IN MILLIMETERS TOLERANCES ON: 2 PLC DEC # 0.20 [0.008] ANGLES # -
DR 6-18-93 S.S. SOULDEN	QTY	CHK 6-18-93 R. HERSEY
APPD 6-18-93 B. BARE		APPD 6-18-93 M. ELLIS
FINISH	TIN PLATE PER MIL-T-10727	MATERIAL COPPER PER ASTM B-152 NYLON (MIL-M-20693) TYPE 1 COLOR: BLUE
APPLICATION SPEC	WEIGHT	SCALE



AMP Incorporated
 Harrisburg, PA 17105-3608

LOOSE PC	324046	PART NO
PACKAGE TYPE		
SIZE	CAGE CODE	DRAWING NO
B	00779	G-324046
SCALE	NTS	SHEET
		1 OF 1

X-ON Electronics

Largest Supplier of Electrical and Electronic Components

Click to view similar products for [Terminals](#) category:

Click to view products by [TE Connectivity](#) manufacturer:

Other Similar products are found below :

[00-054007-01074-6](#) [00-054007-70206-1](#) [00-054007-70210-8](#) [00-054007-70217-7](#) [00-054007-70226-9](#) [00-054007-70228-3](#) [00-054007-70248-1](#) [00-054007-70256-6](#) [00-054007-70301-3](#) [00-054007-70316-7](#) [00-054007-49560-4](#) [00-054007-70209-2](#) [00-054007-70225-2](#) [00-054007-70227-6](#) [00-054007-70231-3](#) [00-054007-70241-2](#) [00-054007-70242-9](#) [00-054007-70244-3](#) [00-054007-70246-7](#) [00-054007-70263-4](#) [00-054007-70288-7](#) [00-054007-70290-0](#) [00-054007-70300-6](#) [00-054007-70304-4](#) [01-2065-1-0216](#) [01-2900-1-04412](#) [00581P0075](#) [600TS-10](#) [60205-1](#) [604200-1](#) [605601-1](#) [60598-1-CUT-TAPE](#) [61314-6-C](#) [61810-3](#) [61-S](#) [61-SN](#) [626-0194](#) [62-NBM-A](#) [62-SN](#) [62-SP](#) [63-S](#) [640179-1](#) [M55155/059I03](#) [M55155/079C01](#) [M55155/099H02](#) [M55155/109H01](#) [M55155/109H02](#) [M55155/12XH05](#) [M55155/16XH02](#) [M55155/29-5S](#)