

TERMINAL, T-N R 2 1/4 ✓ ACTIVE

TERMINYL

TE Part # 324053

TE Internal #: 324053

Mil-Spec: [B: BACT12AC26, MS25036-126]

[View on TE.com >](#)



Terminals & Splices > Rings & Spades



Wire Size: 52600 – 83700 CMA

Stud Size: M6

Stud Diameter: 6.73 mm [.265 in]

Features

Product Type Features

Shape Description	RING-047
Stud Size	M6
Barrel Type	Closed Barrel
Sealable	No
Insulated	Yes
Wire/Cable Type	Regular Wire
Support Style	Insulation Support

Configuration Features

Number of Holes	1
Terminal Angle	Straight

Body Features

Inspection Slot	No
Insulation Sleeve Color	Red
Weight per Piece	11.28 g
Plating Material	Copper, Tin

Contact Features

Military Part Class	Class II
Terminal Orientation	Straight

Mechanical Attachment

Wire Insulation Support	With
-------------------------	------



Dimensions

Wire Size	52600 – 83700 CMA
Stud Diameter	6.73 mm[.265 in]
Tongue Thickness	1.52 mm[.06 in]
Overall Length	51.94 mm[2.0449 in]

Usage Conditions

Operating Temperature Range	105 °C
-----------------------------	--------

Operation/Application

Heavy Duty	No
------------	----

Industry Standards

Government Qualified	Yes
----------------------	-----

Packaging Features

Packaging Quantity	50
Packaging Method	Loose Piece

Product Compliance

[For compliance documentation, visit the product page on TE.com>](#)

EU RoHS Directive 2011/65/EU	Compliant
EU ELV Directive 2000/53/EC	Compliant
China RoHS 2 Directive MIIT Order No 32, 2016	No Restricted Materials Above Threshold
EU REACH Regulation (EC) No. 1907/2006	Current ECHA Candidate List: JAN 2019 (197) Candidate List Declared Against: JAN 2019 (197)
Halogen Content	Low Halogen - Br, Cl, F, I < 900 ppm per homogenous material. Also BFR/CFR/PVC Free
Solder Process Capability	Not applicable for solder process capability

Product Compliance Disclaimer

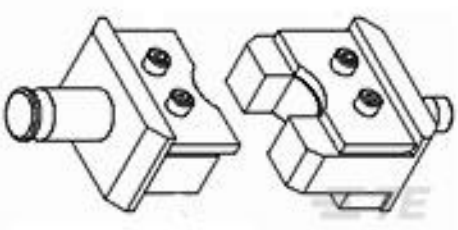
This information is provided based on reasonable inquiry of our suppliers and represents our current actual knowledge based on the information they provided. This information is subject to change. The part numbers that TE has identified as EU RoHS compliant have a maximum concentration of 0.1% by weight in homogenous materials for lead, hexavalent chromium, mercury, PBB, PBDE, DBP, BBP, DEHP, DIBP, and 0.01% for cadmium, or qualify for an exemption to these limits as defined in the Annexes of Directive 2011/65/EU (RoHS2). Finished electrical and electronic equipment products will be CE marked as required by Directive 2011/65/EU. Components may not be CE marked. Additionally, the part numbers that TE has identified as EU ELV compliant have a maximum concentration of 0.1% by weight in homogenous materials for lead, hexavalent chromium, and mercury, and 0.01% for cadmium, or qualify for an exemption to these limits as defined in the Annexes of Directive 2000/53/EC (ELV). Regarding the REACH Regulations, TE's information on SVHC in

articles for this part number is still based on the European Chemical Agency (ECHA) 'Guidance on requirements for substances in articles'(Version: 2, April 2011), applying the 0.1% weight on weight concentration threshold at the finished product level. TE is aware of the European Court of Justice ruling of September 10th, 2015 also known as O5A (Once An Article Always An Article) stating that, in case of 'complex object', the threshold for a SVHC must be applied to both the product as a whole and simultaneously to each of the articles forming part of its composition. TE has evaluated this ruling based on the new ECHA "Guidance on requirements for substances in articles" (June 2017, version 4.0) and will be updating its statements accordingly.

Compatible Parts



TE Part # 1490406-1
 DIE ASSEMBLY,TERMINYL #2



TE Part # 47823
 DIE TERMINYL 69051 #2


Customers Also Bought



TE Part #324052
 TERMINAL,T-N R 4 3/8



TE Part #163665N003
 S02-07-RCS453



TE Part #324051
 TERMINAL,T-N R 4 5/16



TE Part #38943-22L
 CONT SOC ASSY



TE Part #204512-2
 RECEIPT ASSY,SZ 1,
 AMPLIMITE



TE Part #325411-000
 55A1121-20-9/96-9CS2275



TE Part #0662-207-0882
 CONT SOC ASSY



TE Part #423649-000
 S03-05-R-100



TE Part #324054
 TERMINAL,T-N R 2 3/8



TE Part #0660-206-1282
 CONT PIN

Documents

[Product Drawings](#)

TERMINAL,T-N R 2 1/4

TE Part # 324053
TE Internal #: 324053
Mil-Spec: [B: BACT12AC26, MS25036-126]



TERMINAL,T-N R 2 1/4

English

CAD Files

3D PDF

English

Customer View Model

[ENG_CVM_324053_J.3d_igs.zip](#)

English

Customer View Model

[ENG_CVM_324053_J.3d_stp.zip](#)

English

Customer View Model

[ENG_CVM_324053_J.2d_dxf.zip](#)

English

X-ON Electronics

Largest Supplier of Electrical and Electronic Components

Click to view similar products for [Terminals](#) category:

Click to view products by [TE Connectivity](#) manufacturer:

Other Similar products are found below :

[00-054007-01074-6](#) [00-054007-70206-1](#) [00-054007-70210-8](#) [00-054007-70217-7](#) [00-054007-70226-9](#) [00-054007-70228-3](#) [00-054007-70248-1](#) [00-054007-70256-6](#) [00-054007-70301-3](#) [00-054007-70316-7](#) [0-0320562-0](#) [00-054007-49560-4](#) [00-054007-70209-2](#) [00-054007-70225-2](#) [00-054007-70227-6](#) [00-054007-70231-3](#) [00-054007-70241-2](#) [00-054007-70242-9](#) [00-054007-70244-3](#) [00-054007-70246-7](#) [00-054007-70263-4](#) [00-054007-70288-7](#) [00-054007-70290-0](#) [00-054007-70300-6](#) [00-054007-70304-4](#) [01-2065-1-0216](#) [01-2900-1-04412](#) [00581P0075](#) [600TS-10](#) [60205-1](#) [604200-1](#) [605601-1](#) [60598-1-CUT-TAPE](#) [61314-6-C](#) [61810-3](#) [61-S](#) [61-SN](#) [626-0194](#) [62-NBM-A](#) [62-SN](#) [62-SP](#) [63-S](#) [640179-1](#) [M55155/059I03](#) [M55155/079C01](#) [M55155/099H02](#) [M55155/109H01](#) [M55155/109H02](#) [M55155/12XH05](#) [M55155/16XH02](#)