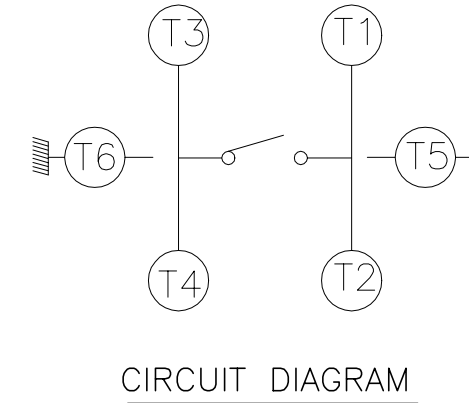
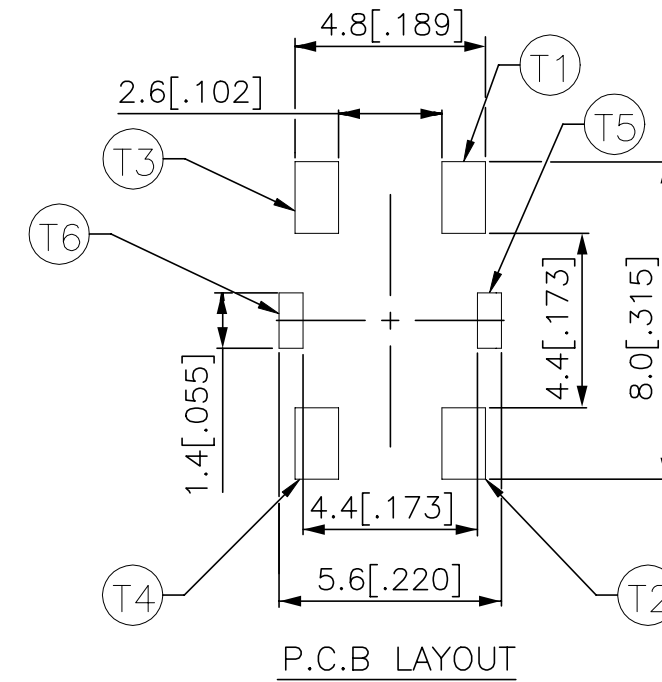
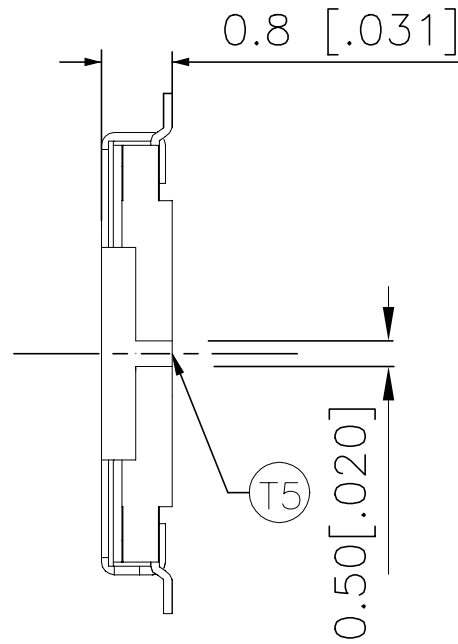
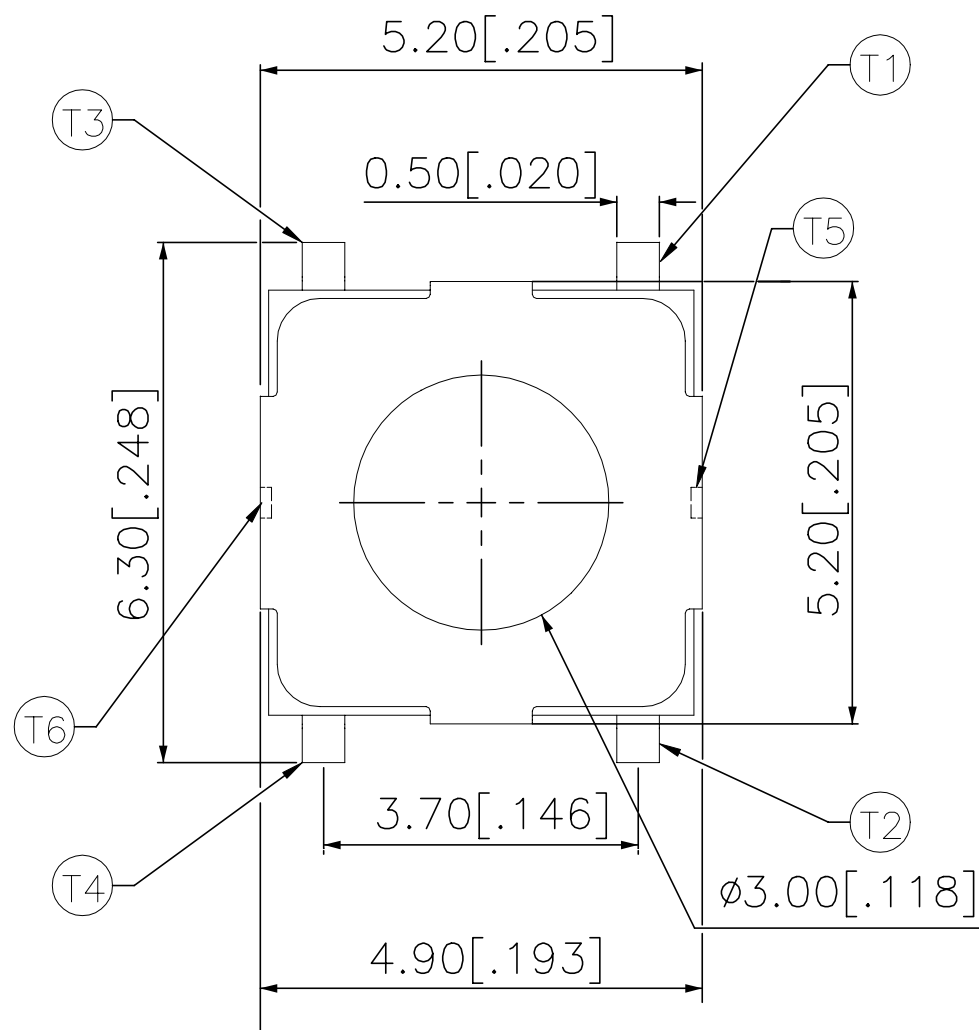
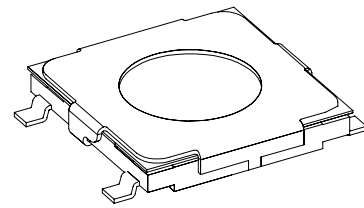


P	LTR	DESCRIPTION	DATE	DWN	APVD
	B1	REVISED PER ECR-20-011054	04AUG2020	KG	AS



260±50	MSLPT5252AG4TR	2337236-3
160±50	MSLPT5252AG3TR	2337236-2
100±50	MSLPT5252AG2TR	2337236-1
ACTUATION FORCE (gf)	SMART PART NUMBER	PART NUMBER

THIS DRAWING IS A CONTROLLED DOCUMENT.		DWN	GANESH C M		04JUL2018												
DIMENSIONS: mm [INCHES]		CHK	ALEXANDER SHARPE		04JUL2018												
TOLERANCES UNLESS OTHERWISE SPECIFIED:		APVD	ALEXANDER SHARPE		04JUL2018												
<table border="0"> <tr><td>0 PLC</td><td>± -</td></tr> <tr><td>1 PLC</td><td>± -</td></tr> <tr><td>2 PLC</td><td>± 0.2 [.008]</td></tr> <tr><td>3 PLC</td><td>± -</td></tr> <tr><td>4 PLC</td><td>± -</td></tr> <tr><td>ANGLES</td><td>± -</td></tr> </table>		0 PLC	± -	1 PLC	± -	2 PLC	± 0.2 [.008]	3 PLC	± -	4 PLC	± -	ANGLES	± -	NAME		SWITCH, TACTILE, LOW-PROFILE, MINI, 5.2 x 5.2 x 0.8, GULLWING	
0 PLC	± -																
1 PLC	± -																
2 PLC	± 0.2 [.008]																
3 PLC	± -																
4 PLC	± -																
ANGLES	± -																
MATERIAL		FINISH		SIZE	CAGE CODE												
-		-		A3	00779												
		WEIGHT		DRAWING NO													
		-		C-2337236													
		CUSTOMER DRAWING		RESTRICTED TO													
				SCALE	SHEET												
				NTS	1 OF 3												
				REV	B1												



P	LTR	DESCRIPTION	DATE	DWN	APVD
-	-	SEE SHEET 1	-	-	-

NOTES:

1. MATERIALS:

TERMINAL: COPPER ALLOY, SILVER OVER NICKEL FINISH  
 BASE: THERMOPLASTIC, BLACK  
 ACTUATOR: POLYTETRAFLUOROETHYLENE  
 CONTACT: STAINLESS STEEL, SILVER OVER NICKEL FINISH  
 COVER: NICKEL SILVER

2. COMPLIANCE:

ALL MATERIALS AND FINISHES SHALL COMPLY WITH EU DIRECTIVE 2002/95/EC OF 27JAN2003(RoHS)

3. SPECIFICATIONS:

RATING: 50 mA, 12V DC  
 CONTACT RESISTANCE: 100mΩ MAXIMUM (INITIAL)  
 INSULATION RESISTANCE: 100MΩ MINIMUM (INITIAL)  
 DIELECTRIC STRENGTH: 250V AC, 1 MINUTE  
 OPERATING LIFE: 2337236-1 (100gf) = 1,000,000 CYCLES WITH LOAD  
 2337236-2 (160gf) = 1,000,000 CYCLES WITH LOAD  
 2337236-3 (260gf) = 200,000 CYCLES WITH LOAD

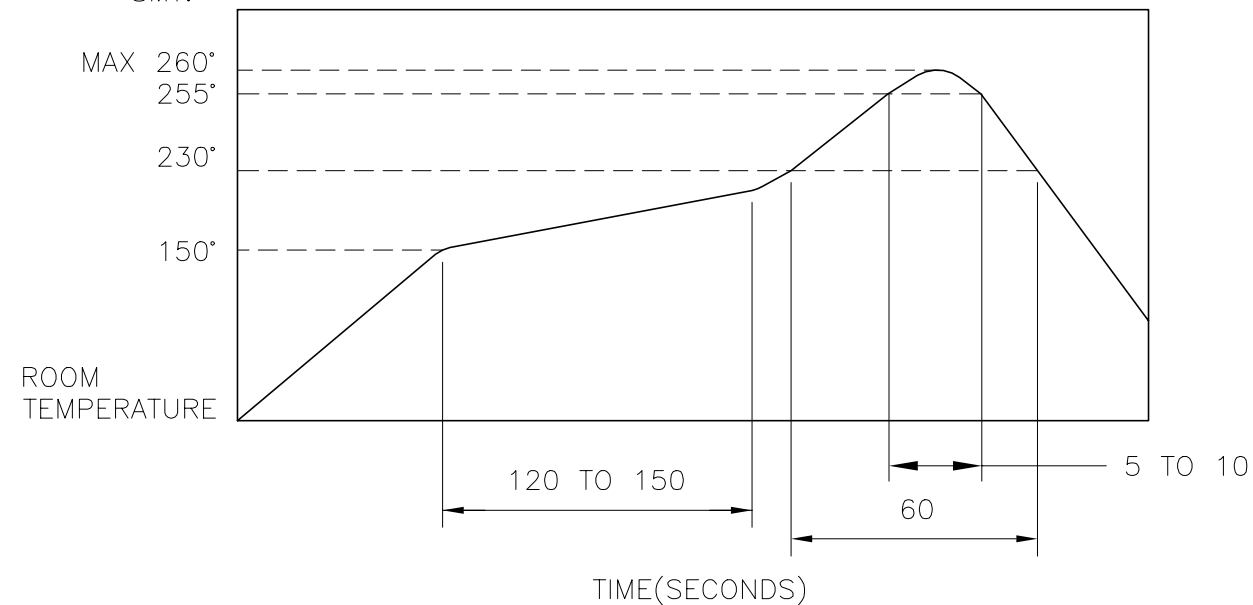
TRAVEL:  $0.25 \pm 0.1$  [ $0.010 \pm 0.004$ ]

ACTUATION FORCE: 2337236-1 = 100±50gf  
 2337236-2 = 160±50gf  
 2337236-3 = 260±50gf

OPERATING TEMPERATURE: -25° TO 70°C  
 STORAGE TEMPERATURE: -30° TO 80°C

4. SOLDER CONDITIONS:

SMT:



THE CONDITION NOTED ABOVE IS THE TEMPERATURE OF THE COPPER FOIL ON THE SURFACE OF THE PCB. THERE ARE CASES WHERE THE TEMPERATURE OF THE BOARD GREATLY DIFFERS FROM THE SURFACE OF THE SWITCH. DO NOT ALLOW THE SURFACE TEMPERATURE OF THE SWITCH TO EXCEED 260°C.

MANUAL SOLDERING:

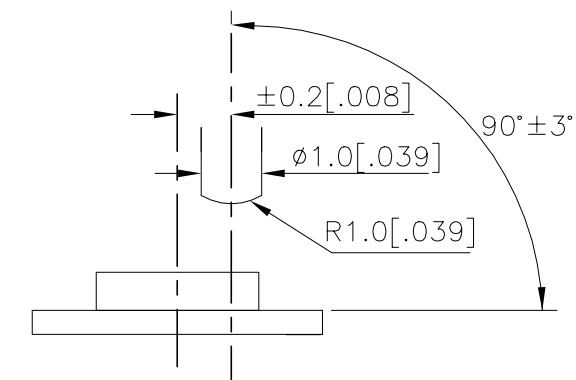
SOLDERING TEMPERATURE	350°C MAXIMUM
CONTINUOUS SOLDERING TIME	5 SECONDS MAXIMUM

HANDLING PRECAUTIONS:

- CARE SHOULD BE EXERCISED SO THAT FLUX FROM THE TOP SURFACE OF THE PRINTED CIRCUIT BOARD DOES NOT ADHERE TO THE SWITCH.
- DO NOT WASH THE SWITCH

5. OPERATING PRECAUTIONS:

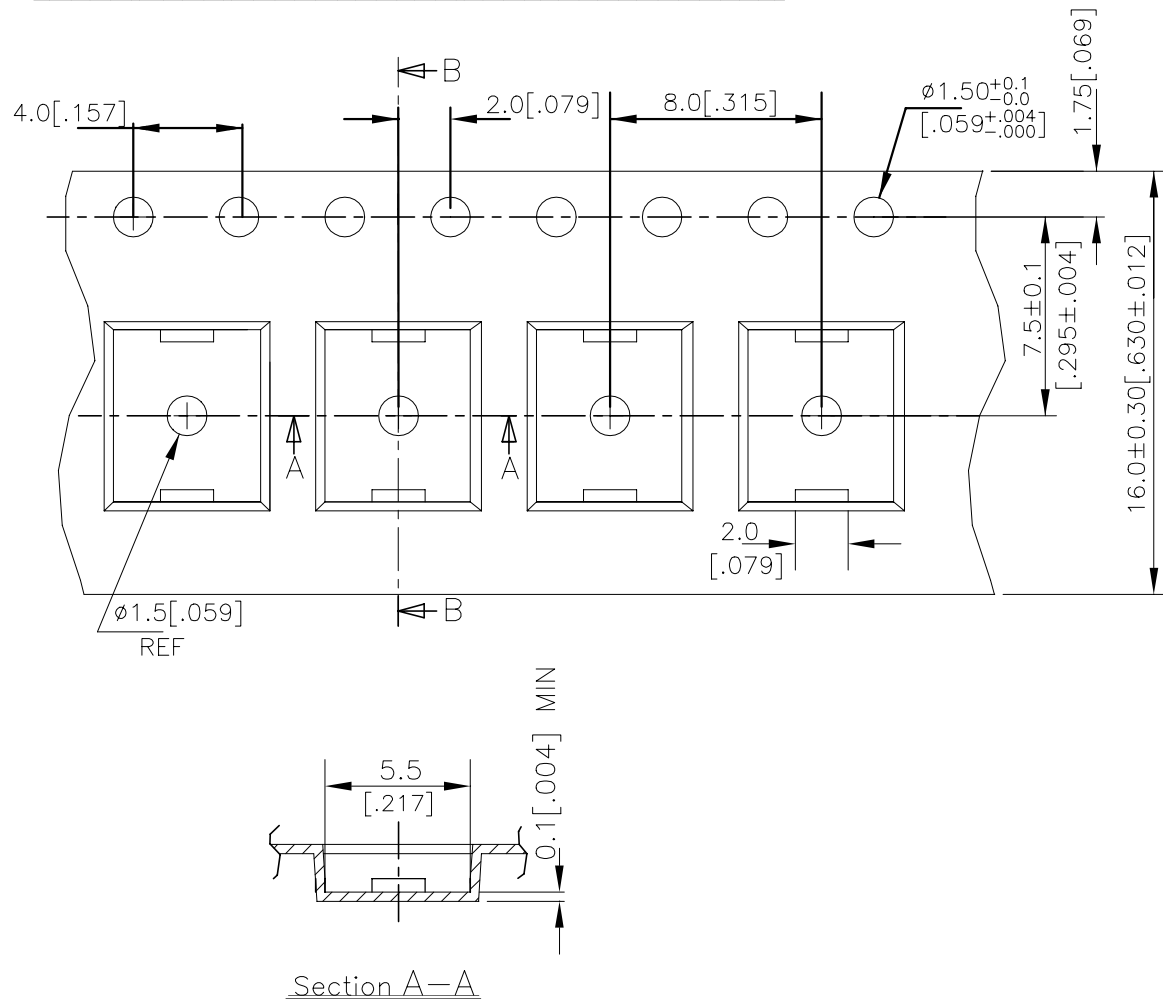
- DO NOT ACTUATE THE SWITCH WITH EXCESSIVE FORCE
- DISCONTINUE FORCE AFTER THE SWITCH HAS BEEN ACTUATED SO AS TO AVOID DEFORMATION OF THE COMPONENTS OF THE SWITCH. DEFORMATION OF THE COMPONENTS MAY CAUSE THE SWITCH TO MALFUNCTION.
- ALIGN THE PLUNGER WITH THE SWITCH TO INSURE PROPER OPERATION



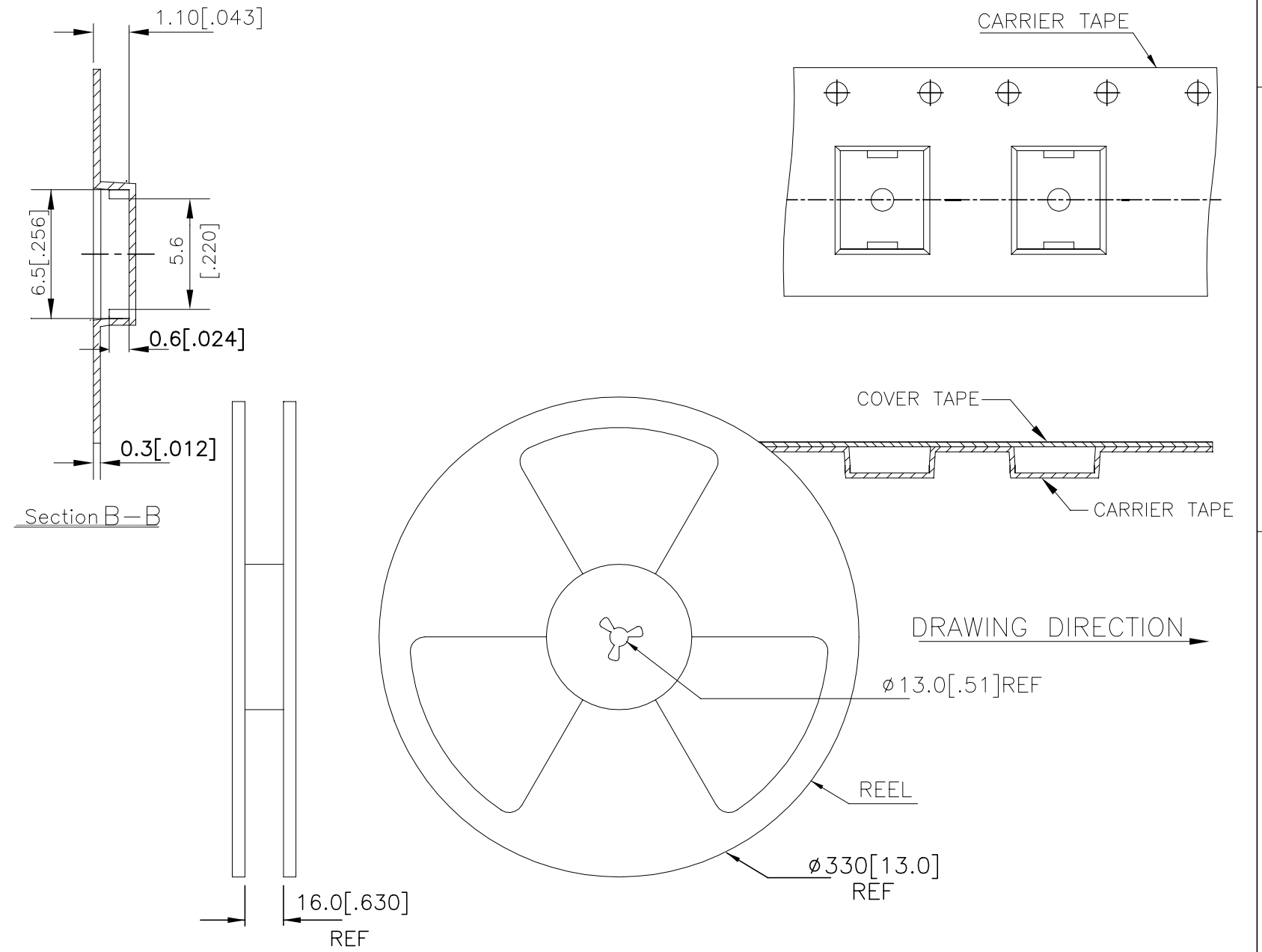
THIS DRAWING IS A CONTROLLED DOCUMENT.		DWN	GANESH C M		04JUL2018	TE Connectivity Ltd.	
DIMENSIONS: mm [INCHES]		CHK	ALEXANDER SHARPE		04JUL2018		
TOLERANCES UNLESS OTHERWISE SPECIFIED:		APVD	ALEXANDER SHARPE		04JUL2018	NAME	
0 PLC ± -		PRODUCT SPEC		-		SWITCH, TACTILE, LOW-PROFILE, MINI, 5.2 x 5.2 x 0.8, GULLWING	
1 PLC ± -		APPLICATION SPEC		-		SIZE	CAGE CODE
2 PLC ± 0.2 [.008]		WEIGHT		A3 00779		DRAWING NO	RESTRICTED TO
3 PLC ± -		CUSTOMER DRAWING		C=2337236		-	
4 PLC ± -		SCALE		NTS		SHEET	
ANGLES ± -		SCALE		NTS		2 OF 3	
FINISH		SCALE		NTS		REV	
-		SCALE		NTS		B1	

P	LTR	DESCRIPTION	DATE	DWN	APVD
-	-	SEE SHEET 1	-	-	-

THE DIMENSIONS OF CARRIER TAPE AND REEL:



ORIENTATION OF PILOT HOLES



6. PACKAGING:

1. THE TAPE AND REEL ARE SHOWN FOR CUSTOMER APPLICATION REFERENCE. PACKAGING NOTES 3 AND 4 ARE REQUIRED BUT NOT ILLUSTRATED.
2. 4,000 SWITCHES PER REEL.
3. THE REEL, DESICCANT POUCH AND HUMIDITY CARD ARE SEALED IN A MOISTURE BARRIER BAG PER THE CURRENT REVISION OF IPC/JEDEC J-STD-033, MSL 2A REQUIREMENTS.
4. THE MOISTURE BARRIER BAG IS LABELED PER THE CURRENT REVISION OF IPC/JEDEC J-STD-033, MSL 2A REQUIREMENTS.

THIS DRAWING IS A CONTROLLED DOCUMENT.		DWN GANESH C M 04JUL2018	TE Connectivity Ltd.				
DIMENSIONS: mm [INCHES]		CHK ALEXANDER SHARPE 04JUL2018					
TOLERANCES UNLESS OTHERWISE SPECIFIED:		APVD ALEXANDER SHARPE 04JUL2018	NAME SWITCH, TACTILE, LOW-PROFILE, MINI, 5.2 x 5.2 x 0.8, GULLWING				
0 PLC ± - 1 PLC ± - 2 PLC ± 0.2 [.008] 3 PLC ± - 4 PLC ± - ANGLES ± -		PRODUCT SPEC -	APPLICATION SPEC -				
MATERIAL -		FINISH -	WEIGHT	SIZE A3	CAGE CODE 00779	DRAWING NO C-2337236	RESTRICTED TO -
CUSTOMER DRAWING			SCALE NTS	SHEET 3 OF 3	REV B1		

## X-ON Electronics

Largest Supplier of Electrical and Electronic Components

*Click to view similar products for [Tactile Switches](#) category:*

*Click to view products by [TE Connectivity](#) manufacturer:*

Other Similar products are found below :

[5GTH92001](#) [1-1977120-4](#) [ADTSA62NV](#) [ADTSA62RV](#) [ADTSA63KV](#) [ADTSA644NV](#) [ADTSMW66NV](#) [ADTSMW67RV](#) [B3F-3123](#) [B3F-6055A](#) [B3F-B32-01-KIT](#) [1977177-8](#) [1977266-1](#) [ADTS644KV](#) [ADTSA61RV](#) [ADTSA62KV](#) [ADTSA63NV](#) [ADTSA63RV](#) [ADTSM21NSVTR](#) [ADTSM32NVTR](#) [ADTSM63SVTR](#) [ADTSM644KVTR](#) [ADTSMW64RV](#) [ADTSMW69NV](#) [FSMRA4JHA04](#) [GS4.70F300QP](#) [3ESH9R](#) [506E00201](#) [MJTP1164TR](#) [3FTL600RAS](#) [3FTL640RAS](#) [Y96K132V0FPLFS](#) [101-TS5022T1601-EV](#) [5GSH92001](#) [KSJ0A231](#) [80SH LFG](#) [ADTSM31NVTR](#) [EVQ-P1D05K](#) [MJTP1162TR](#) [ADTSM63KV](#) [2-1977120-7](#) [TSJW-5.2-260-TR](#) [KMT011MNGJLHS](#) [B3WN6002S](#) [ADTSA648RV](#) [70-201.0](#) [ADTSG648NV](#) [ADTSM62KSVTR](#) [ATA600VTR](#) [ADTSG66RV](#) [ADTS61NV](#)