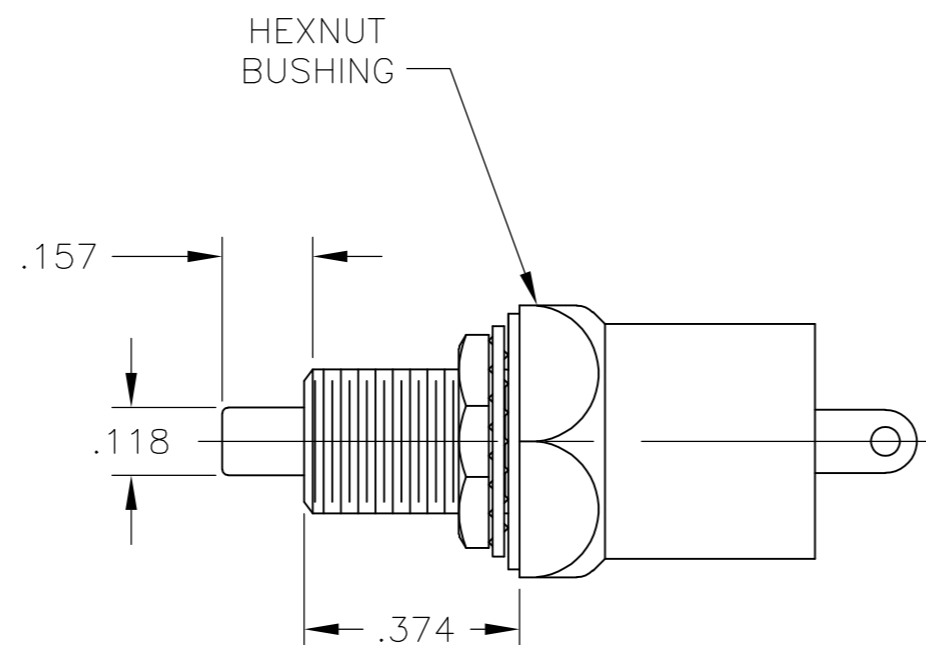
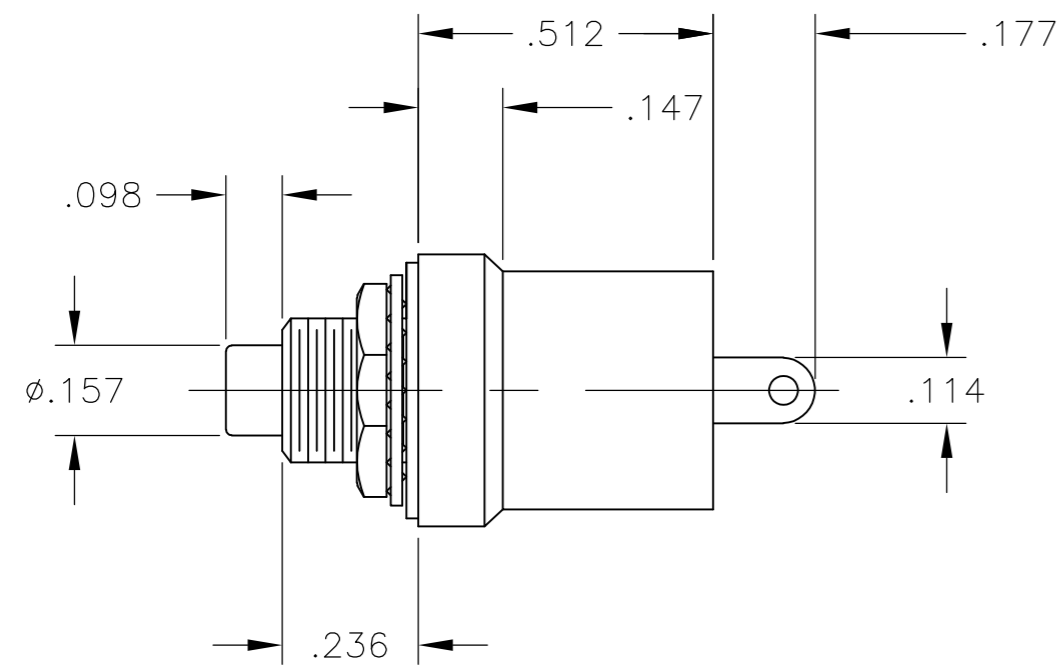


THIS DRAWING IS UNPUBLISHED. RELEASED FOR PUBLICATION 1825516, 1825516  
 © COPYRIGHT 1825516y - ALL RIGHTS RESERVED.

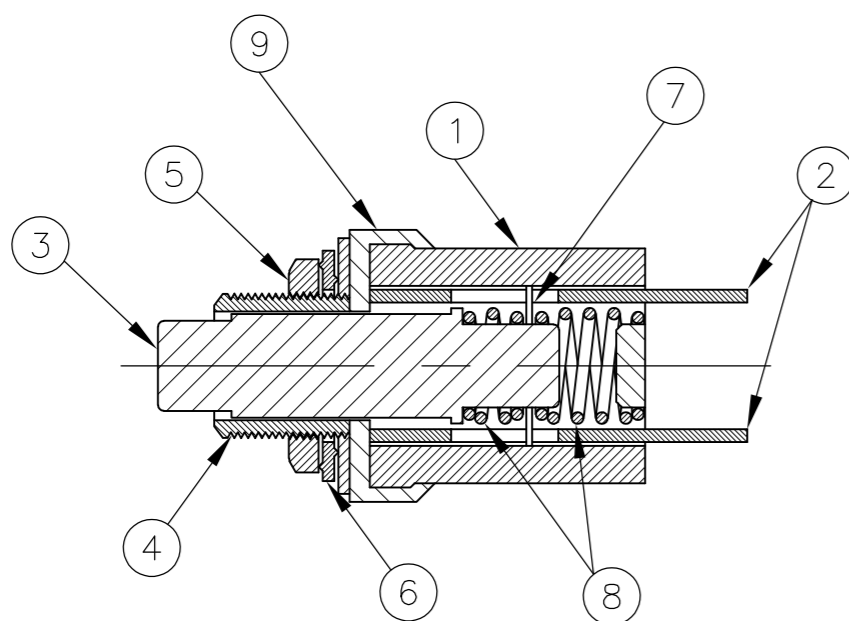
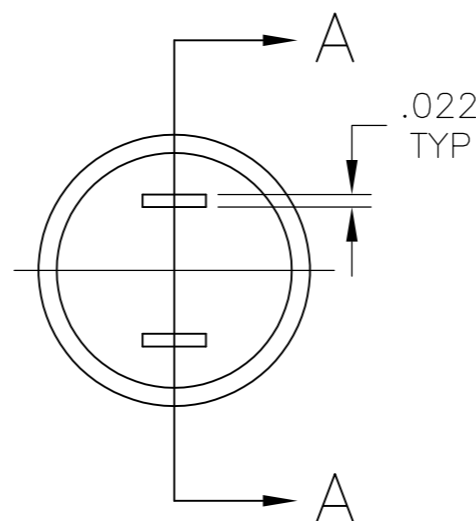
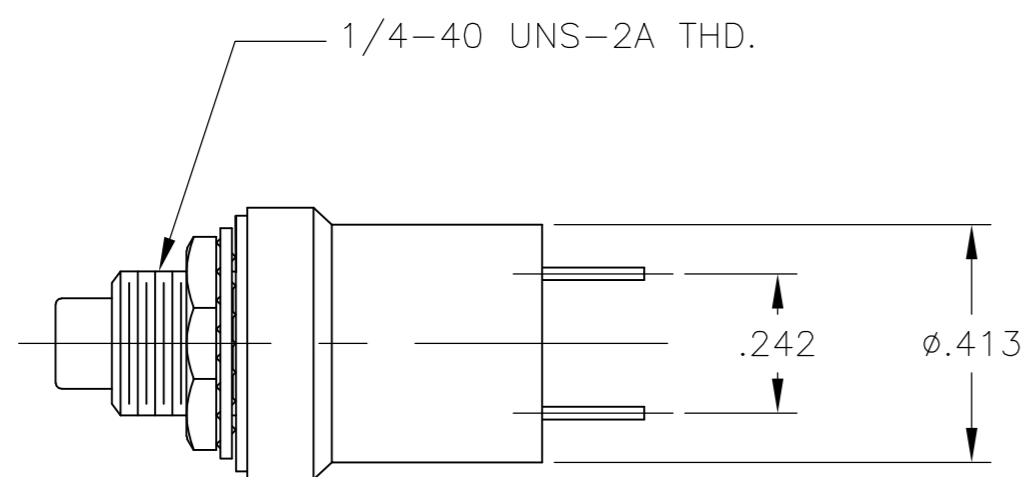
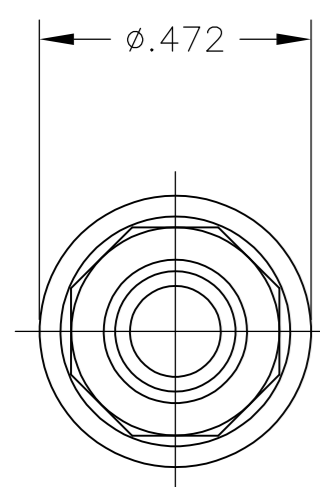
REVISIONS					
P	LTR	DESCRIPTION	DATE	DWN	APVD
C		REVISED PER ECR-16-014236	21OCT2016	RK	SS



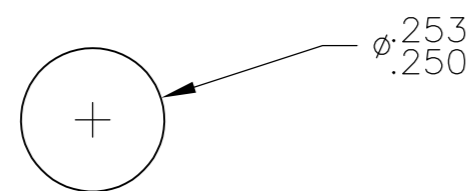
MSP103C204 ONLY

1. ALL MATERIAL AND FINISHES COMPLY WITH EC DIRECTIVE 2002/95/EC OF 27JAN2003 (ROHS)

SPECIFICATIONS	
CONTACT RATING	MIN. 100mA @ 5VAC/DC MAX. 3A @ 125VAC
INITIAL CONTACT RESISTANCE	20MILLIOHMS MAX AT 1A, 2-4 VDC
INSULATION RESISTANCE	100 MEGAOHMS MIN AT 500VDC
DIELECTRIC STRENGTH	1000 VAC, 1 MINUTE
ELECTRICAL LIFE	5000 OPERATIONS
OPERATING TEMPERATURE	-20°C TO 80°C
STORAGE TEMPERATURE	-20°C TO 80°C
RECOMMENDED SOLDER TEMP.	HAND SOLDER 280°C MAX, 3 SECONDS MAX.



SECTION A-A



RECOMMENDED PANEL CUTOUT

MATERIAL CHART				
ITEM	COMPONENT	BASE MATERIAL	FINISH	QTY
1	CASE	PHENOL RESIN, BLACK, UL94-HB		1
2	TERMINAL	COPPER ALLOY	SILVER	2
3	ACTUATOR BUTTON	POLYCARBONATE RESIN, UL94V-2		1
4	BUSHING	BRASS	NICKEL	1
5	HEX. NUT	BRASS	NICKEL	1
6	LOCKWASHER	STEEL	ZINC	1
7	MOVABLE CONTACT	COPPER ALLOY	SILVER	1
8	SPRING	MUSIC WIRE	OIL TREATED	2
9	INSULATING PLATE	PAPER PHENOL RESIN, NATURAL, UL94HB		1

SPST	NO	RED	MSP103C204	1825516-4
SPST	NO	BLACK	MSP103C004	1825516-3
SPST	NO	RED	MSP103C04	1825516-2
SPST	NC	BLACK	MSP103B04	1825516-1
TYPE	MOMENTARY ACTION	ACTATOR BUTTON COLOR	ALCO P/N	P/N

THIS DRAWING IS A CONTROLLED DOCUMENT.		DWN M. ZITTO 01DEC05		
DIMENSIONS: INCHES		CHK M. ZITTO 01DEC05		
TOLERANCES UNLESS OTHERWISE SPECIFIED:		APVD M. ZITTO 01DEC05	NAME SWITCH, PUSHBUTTON MSP103, SILVER	
0 PLC ± -		PRODUCT SPEC	SIZE A2	
1 PLC ± -		APPLICATION SPEC	CAGE CODE -	
2 PLC ± -		WEIGHT	DRAWING NO 1825516	
3 PLC ± .005		FINISH	RESTRICTED TO -	
4 PLC ± -		SEE TABLE	SCALE 3:1	
ANGLES ± 1°			SHEET 1 of 1	
MATERIAL SEE TABLE		CUSTOMER DRAWING	REV C	

## X-ON Electronics

Largest Supplier of Electrical and Electronic Components

*Click to view similar products for [Pushbutton Switches](#) category:*

*Click to view products by [TE Connectivity](#) manufacturer:*

Other Similar products are found below :

[8940K2012](#) [LW1L-M1C10V-A](#) [LW1L-M1C70-A](#) [LW2L-A1C20M-GD](#) [LW2L-M1C20M-A](#) [60324L](#) [M22-D-R-GB0/K11](#) [M7E-HRN2](#)  
[67021K512](#) [67081K512X](#) [701PB580](#) [7199K101](#) [810K12910](#) [810KSV30B](#) [MML21EA2ADK](#) [MML21KA3ABK](#) [MML23KA3AC05K-001](#)  
[MML23KW3AA01W](#) [8418K2](#) [8442K3](#) [8450K1](#) [860K11911T01A](#) [861901](#) [861K11911T01A07](#) [861K13810T00A14](#) [861K13911](#)  
[8646AB6X718UL](#) [8646ABUL](#) [9001KXRK](#) [907AYY100](#) [PMHD155A1](#) [9533CD4+U574+U4922](#) [95-414.000](#) [99-450.837](#) [99-453.837](#)  
[PV3H2B0NN-341](#) [1203MRA](#) [A22NZBGANGA](#) [A22NZBNANGA](#) [A22NZMPATRA](#) [A2PMA1X03EC56](#) [A3A-5123-02](#) [A3A-7140](#) [A3A-7310](#) [A3A-7340](#) [A3U-TMW-A2C-5M](#) [A595](#) [12037A2ULCSA](#) [ABD122N-B](#) [1211390004](#)