

THIS DRAWING IS UNPUBLISHED. RELEASED FOR PUBLICATION  
 © COPYRIGHT BY TYCO ELECTRONICS CORPORATION. ALL RIGHTS RESERVED.

LOC		DIST		REVISIONS			
P	LTR	DESCRIPTION		DATE	DWN	APVD	
	A	REVISED PER ECO-07-029644		1/11/08	SS	MW	

SPECIFICATIONS:

MATERIALS:

CASE: THERMOSET.  
 ACTUATOR BUTTON: THERMOPLASTIC. COLOR: SEE CHART.  
 MOVING CONTACT: COPPER ALLOY, SILVER PLATE.  
 FIXED CONTACT: COPPER ALLOY, SILVER PLATE.  
 TERMINALS: COPPER ALLOY, SILVER PLATE.  
 TERMINAL SEAL: EPOXY.

ELECTRICAL:

CONTACT RATING: 0.5 AMPS AT 125 VAC.  
 INITIAL CONTACT RESISTANCE: 100 MILLIOHMS.  
 INSULATION RESISTANCE: 1,000 MEGOHMS MIN.  
 DIELECTRIC STRENGTH: 1000V RMS AT SEA LEVEL.  
 LIFE EXPECTANCY: 10,000 CYCLES.

MECHANICAL:

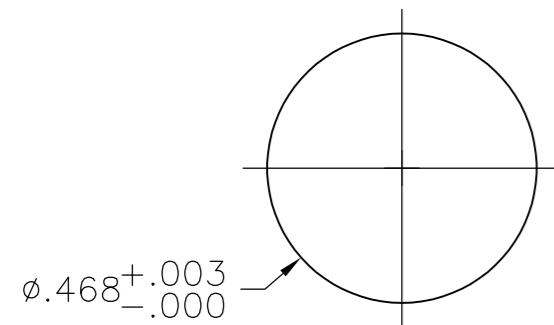
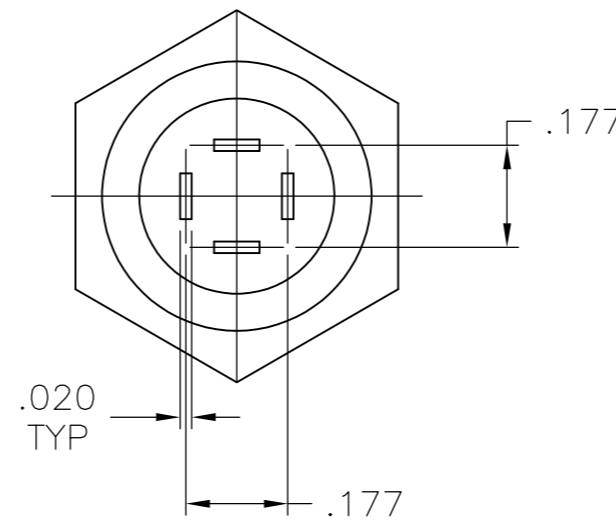
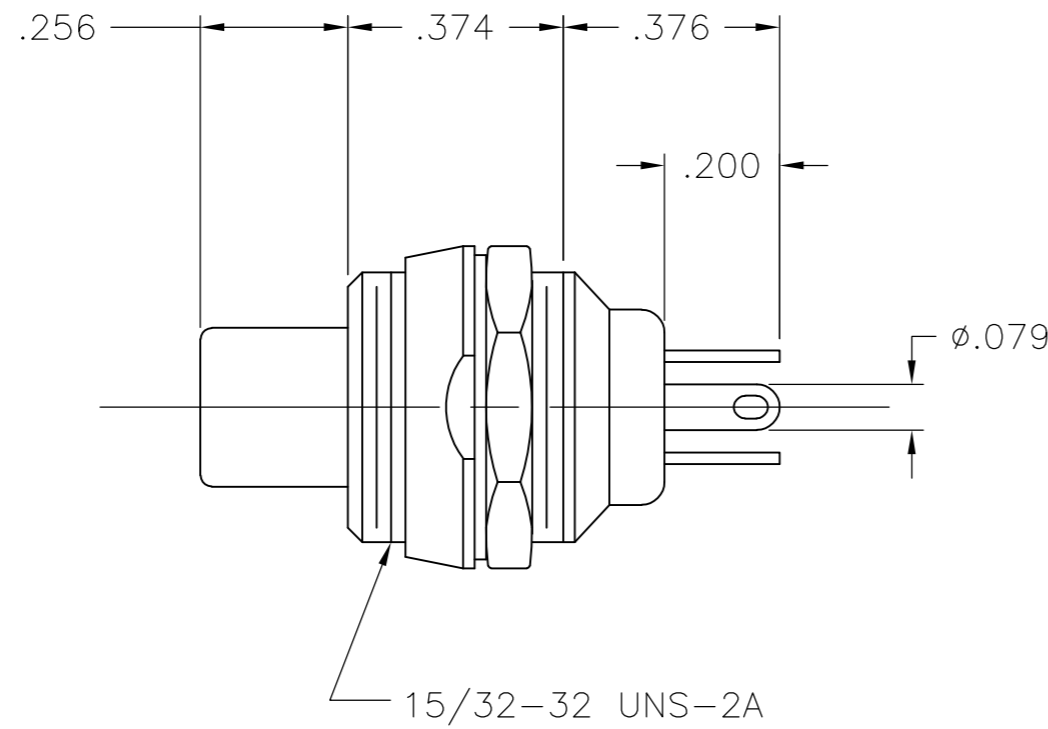
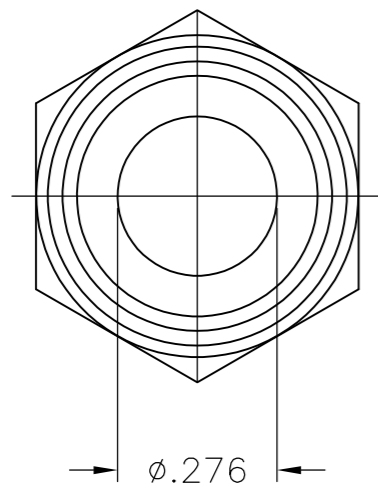
ACTUATION TRAVEL: .098.

ENVIRONMENTAL:

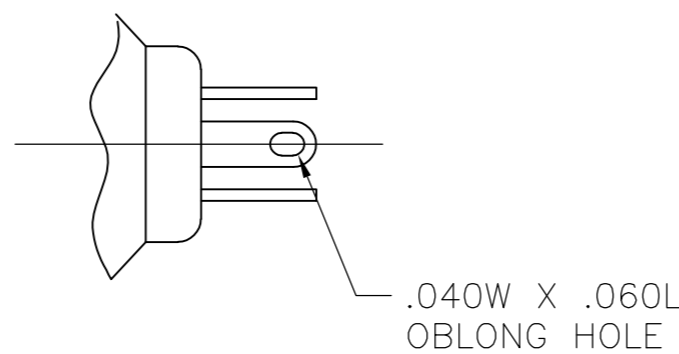
OPERATING TEMPERATURE: -4°F TO +176°F (-20°C TO +80°C).  
 STORAGE TEMPERATURE: -4°F TO +176°F (-20°C TO +80°C).

NOTES:

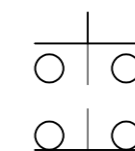
- INTERPRET DRAWING PER ASME Y14.5M-1994.
- SUPPLIED WITH MOUNTING HARDWARE:  
 (1) WASHER  
 (1) N-35 DECORATIVE NUT  
 (1) HEX NUT.
- RECOMMENDED HAND SOLDER TEMP. OF 420C FOR 5 SECONDS.



RECOMMENDED PANEL CUTOUT



TERMINAL DETAIL



NORMALLY OPEN / NORMALLY CLOSED

CIRCUIT DIAGRAM

NORMALLY OPEN / NORMALLY CLOSED	2 CKT	WHITE	MSPF-101BC-9	9-1437567-2
NORMALLY OPEN / NORMALLY CLOSED	2 CKT	BLUE	MSPF-101BC-6	9-1437567-1
NORMALLY OPEN / NORMALLY CLOSED	2 CKT	RED	MSPF-101BC-2	9-1437567-0
NORMALLY OPEN / NORMALLY CLOSED	2 CKT	BLACK	MSPF-101BC-0	8-1437567-9
ACTION	TYPE	ACTUATOR COLOR	MODEL NO.	PART NUMBER

THIS DRAWING IS A CONTROLLED DOCUMENT.		DWN	S	SCHLEGEL	11JAN2008	Tyco Electronics Corporation Harrisburg, PA 17105-3608	
DIMENSIONS: INCHES		CHK	M	WILBOURN	1/16/08	NAME	
TOLERANCES UNLESS OTHERWISE SPECIFIED:		APVD	M	WILBOURN	1/16/08	PRODUCT SPEC	
0 PLC ± -		APVD		M	WILBOURN	APPLICATION SPEC	
1 PLC ± -		NAME		PUSH BUTTON MOMENTARY (MSPF-101BC SERIES)		RESTRICTED TO	
2 PLC ± -		SIZE		A2	CAGE CODE		DRAWING NO
3 PLC ± .010		SCALE		00779		9-1437567-1	
4 PLC ± -		SHEET		1		OF 1	
ANGLES ± 1°		REV		A			
FINISH		CUSTOMER DRAWING		SCALE		NTS	

## X-ON Electronics

Largest Supplier of Electrical and Electronic Components

*Click to view similar products for [Pushbutton Switches](#) category:*

*Click to view products by [TE Connectivity](#) manufacturer:*

Other Similar products are found below :

[LW1L-M1C10V-A](#) [LW2L-A1C20M-GD](#) [LW2L-M1C20M-A](#) [60324L](#) [M7E-HRN2](#) [67021K512](#) [67081K512X](#) [701PB580](#) [719-5504-000](#)  
[MDPSSGLFS](#) [810KSV30B](#) [FLT 2U EE 01A](#) [MML21KA3ABK](#) [MML23KA3AC05K-001](#) [MML23KW3AA01W](#) [8418K2](#) [8646AB6X718UL](#)  
[8646ABUL](#) [FSDWH](#) [9001KXRK](#) [9001T8BK](#) [9533CD4+U574+U4922](#) [1203MRA](#) [A22EM01S](#) [A595](#) [12037A2ULCSA](#) [1203A2UL](#)  
[ABD122N-B](#) [1211390004](#) [ABN111-Y](#) [ABN400-R](#) [1211500044](#) [1211580012](#) [1212MRA](#) [1232A6NF](#) [1241.1183.7047](#) [1241.2511](#) [1241.3428](#)  
[1223A2ULCSA](#) [1223MRA](#) [1232AX2119](#) [1241.1183.8000](#) [1241.1183.8029](#) [1241.2506](#) [1241.2606](#) [12MA6](#) [1301940184](#)  
[RELBARF6X10\(PLASTIC\)](#) [13435AG](#) [13440AD2G25X822+U4546](#)