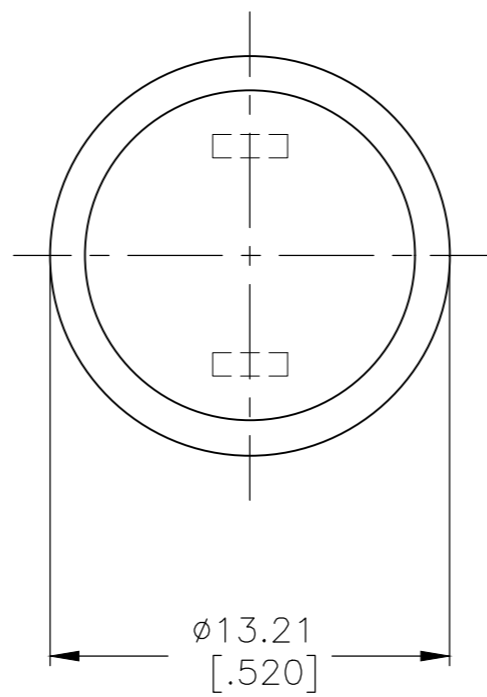
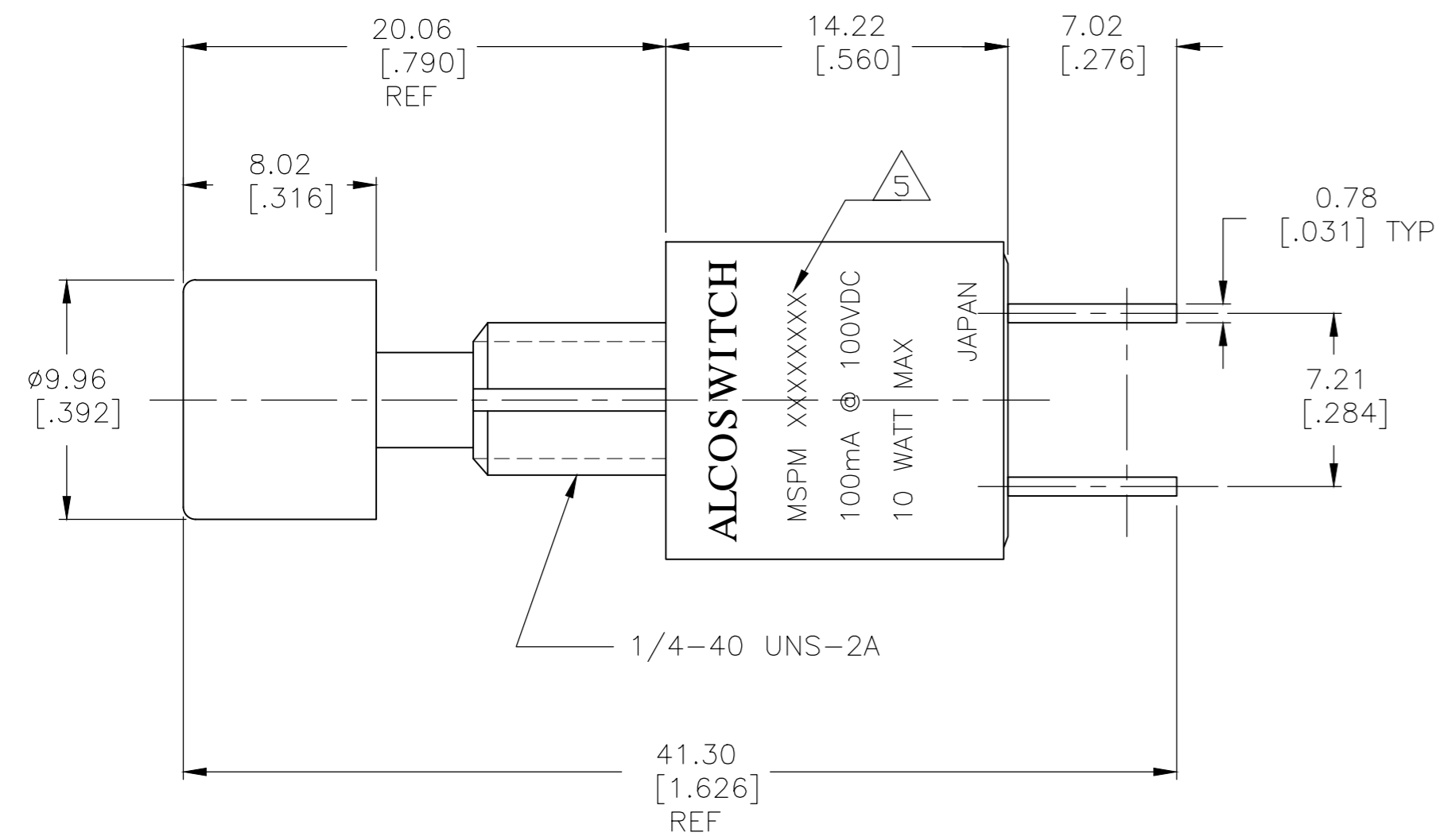
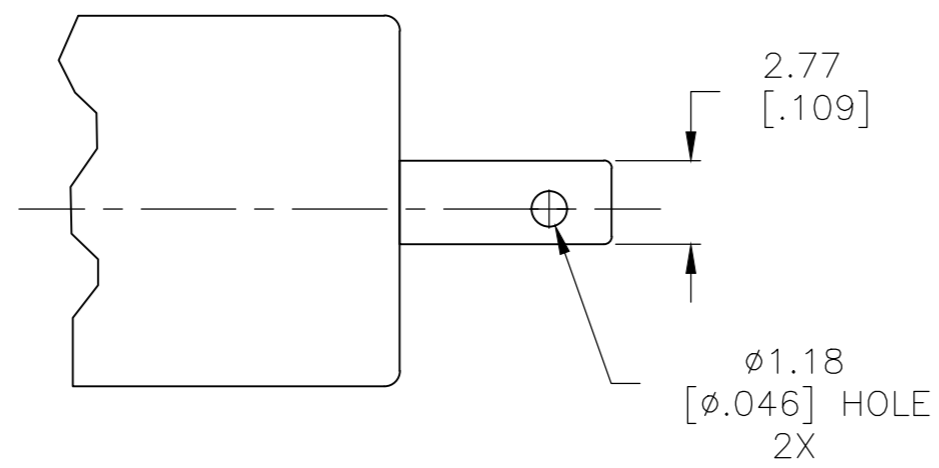


THIS DRAWING IS UNPUBLISHED. RELEASED FOR PUBLICATION
 © COPYRIGHT - By - ALL RIGHTS RESERVED.

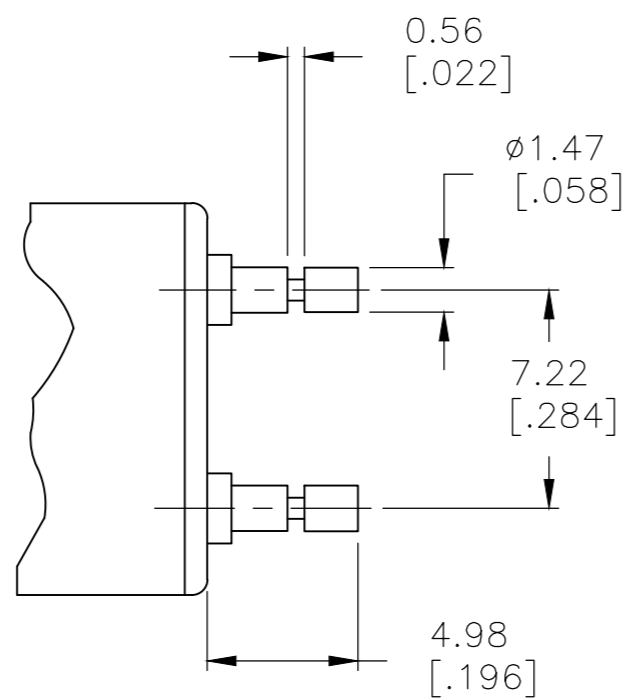
REVISIONS					
P	LTR	DESCRIPTION	DATE	DWN	APVD
A4		REVISED PER ECO-18-016640	21JAN2019	SR	PO



- 1 TERMINAL NUMBERS ARE FOR REFERENCE ONLY AND DO NOT APPEAR ON SWITCHES.
 - 2 EACH SWITCH SUPPLIED WITH THE FOLLOWING MOUNTING HARDWARE:
 (1) DECORATIVE NUT
 (1) HEX NUT
 (1) INTERNAL TOOTH LOCKWASHER
 (1) LOCATING RING
 - 3 ALL MATERIALS AND FINISHES SHALL COMPLY WITH EU DIRECTIVE 2002/95/EC OF 27JAN2003 (ROHS).
 - 4 LUG TERMINALS ACCEPT STANDARD .110 QUICK CONNECT RECEPTACLES. PIN TERMINALS USEABLE FOR PCB APPLICATIONS.
- △5 MARK FIRST 9 DIGITS PER ALCO P/N COLUMN (E.G.: MSPN101C2)



LUG TERMINAL



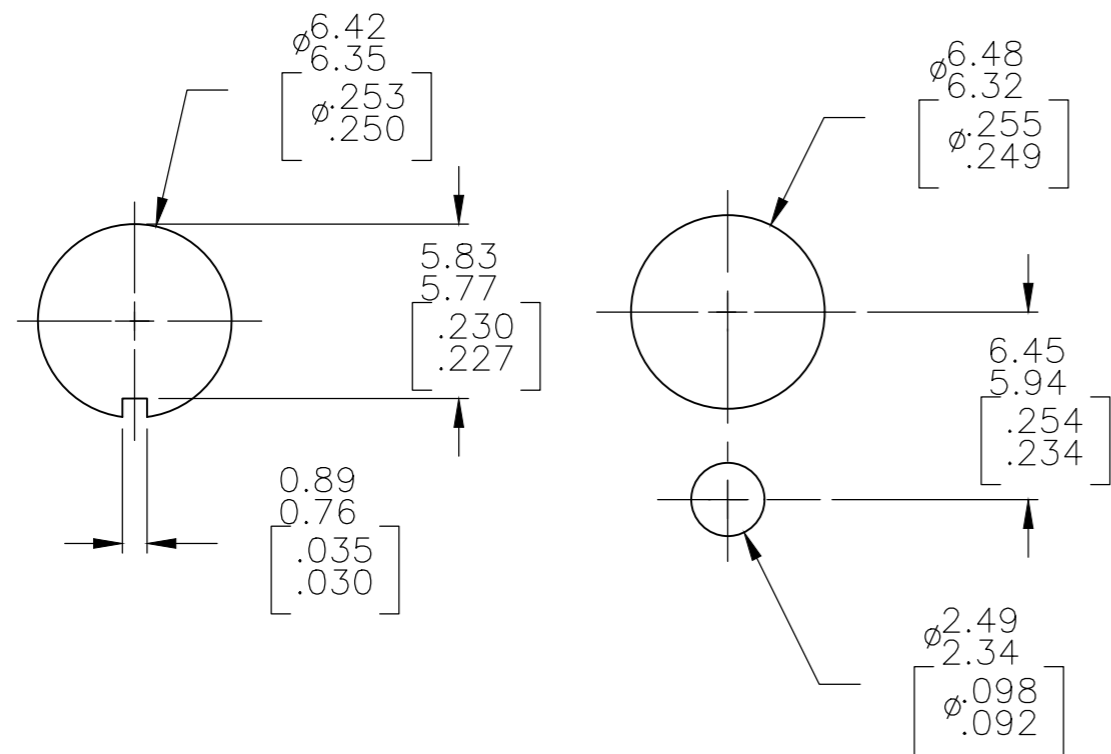
PIN TERMINAL

OBSOLETE	PIN	RED	NORMALLY OPEN	1	1	MSPM101C204	1825538-4
	LUG	RED	NORMALLY OPEN	1	1	MSPM101C104	1825538-3
OBSOLETE	LUG	BLACK	NORMALLY CLOSED	1	1	MSPM101B104	1825538-2
	PIN	BLACK	NORMALLY CLOSED	1	1	MSPM101B004	1825538-1
	TERMINAL STYLE	CAP COLOR	ACTION	THROWS	POLES	ALCO P/N △5	PART NO.

THIS DRAWING IS A CONTROLLED DOCUMENT.		DWN L.M. 14APR89	TE Connectivity Ltd.	
DIMENSIONS: mm [INCHES]		CHK -	APVD J.SYLVIA 12JUN96	
TOLERANCES UNLESS OTHERWISE SPECIFIED:		PRODUCT SPEC		NAME
0 PLC ± -		APPLICATION SPEC		PUSH BUTTON SWITCH, MAGNETIC REED, HERMETICALLY SEALED, SOFT DETENT
1 PLC ± -		WEIGHT -		SIZE A2
2 PLC ± -		CAGE CODE 00779		DRAWING NO. C=1825538
3 PLC ± .010		SCALE 4:1		SHEET 1 of 2
4 PLC ± -		CUSTOMER DRAWING		REV A4
ANGLES ± 1°		RESTRICTED TO		
FINISH -				

THIS DRAWING IS UNPUBLISHED. RELEASED FOR PUBLICATION
 © COPYRIGHT - By - ALL RIGHTS RESERVED.

REVISIONS					
P	LTR	DESCRIPTION	DATE	DWN	APVD
-	-	SEE SHEET 1	-	-	-



RECOMMENDED HOLE LAYOUT
TO PREVENT ROTATION

MATERIALS		
COMPONENT NAME	BASE MATERIAL	FINISH
CASE	STEEL	
ACTUATOR BUTTON	POLYAMIDE, SEE CHART FOR COLOR	
MOVING CONTACT	COPPER ALLOY	GOLD OVER NICKEL
FIXED CONTACT	COPPER ALLOY	GOLD OVER NICKEL
TERMINALS	COPPER ALLOY	SILVER OVER NICKEL

SPECIFICATIONS	
RATING	1.0VA OPTIMUM (100mA MAX., 50 VDC MAX.)
INITIAL CONTACT RESISTANCE	100 MILLIOHMS
INSULATION RESISTANCE	1000 MEGOHMS MIN.
DIELECTRIC WITHSTANDING VOLTAGE	1000 VRMS AT SEA LEVEL
DURABILITY	500000 CYCLES AT .1VA 50000 CYCLES AT 5VA
OPERATING FORCE	TACTILE KEYBOARD FEEL 4 TO 7 OZ. BREAKAWAY REDUCING IMMEDIATELY TO 1.5 OZ. FOLLOW-THROUGH
TRAVEL	2.00±0.20 [.079±.008]
OPERATING TEMPERATURE	-10C TO +80C
STORAGE TEMPERATURE	-10C TO +80C

1825538

THIS DRAWING IS A CONTROLLED DOCUMENT.		DWN L.M.	14APR89	STE TE Connectivity Ltd.	
DIMENSIONS: mm [INCHES]		CHK -	APVD J.SYLVIA		
TOLERANCES UNLESS OTHERWISE SPECIFIED:		PRODUCT SPEC		NAME PUSH BUTTON SWITCH, MAGNETIC REED, HERMETICALLY SEALED, SOFT DETENT	
0 PLC ± -		APPLICATION SPEC		SIZE A2	
1 PLC ± -		WEIGHT -		CAGE CODE 00779	
2 PLC ± -		FINISH -		DRAWING NO C=1825538	
3 PLC ± .010		CUSTOMER DRAWING		RESTRICTED TO -	
4 PLC ± -		SCALE 4:1		SHEET 2 OF 2	
ANGLES ± 1°		REV A4			
MATERIAL SEE SPECIFICATIONS					

X-ON Electronics

Largest Supplier of Electrical and Electronic Components

Click to view similar products for [Pushbutton Switches](#) category:

Click to view products by [TE Connectivity](#) manufacturer:

Other Similar products are found below :

[8940K2012](#) [LW1L-M1C10V-A](#) [LW1L-M1C70-A](#) [LW2L-A1C20M-GD](#) [LW2L-M1C20M-A](#) [60324L](#) [M22-D-R-GB0/K11](#) [M7E-HRN2](#)
[67021K512](#) [67081K512X](#) [701PB580](#) [7199K101](#) [810K12910](#) [810KSV30B](#) [MML21EA2ADK](#) [MML21KA3ABK](#) [MML23KA3AC05K-001](#)
[MML23KW3AA01W](#) [8418K2](#) [8442K2](#) [8442K3](#) [8450K1](#) [860K11911T01A](#) [861901](#) [861K11911T01A07](#) [861K13810T00A14](#) [861K13911](#)
[8646AB6X718UL](#) [8646ABUL](#) [9001KXRK](#) [907AYY100](#) [PMHD155A1](#) [9533CD4+U574+U4922](#) [95-414.000](#) [99-450.837](#) [99-453.837](#)
[PV3H2B0NN-341](#) [1203MRA](#) [A22NZBGANGA](#) [A22NZBNANGA](#) [A22NZMPATRA](#) [A2PMA1X03EC56](#) [A3A-5123-02](#) [A3A-7140](#) [A3A-7310](#) [A3A-7340](#) [A3U-TMW-A2C-5M](#) [A595](#) [12037A2ULCSA](#) [ABD122N-B](#)