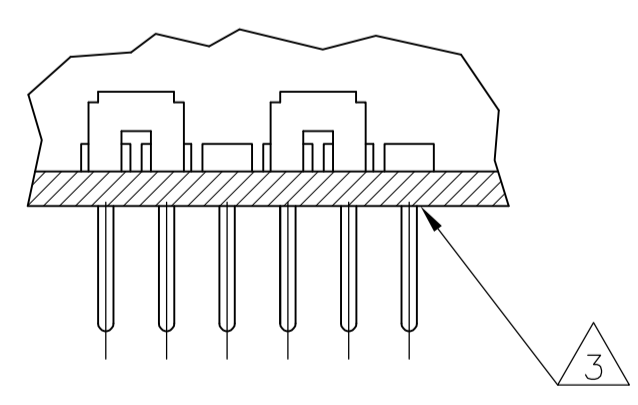
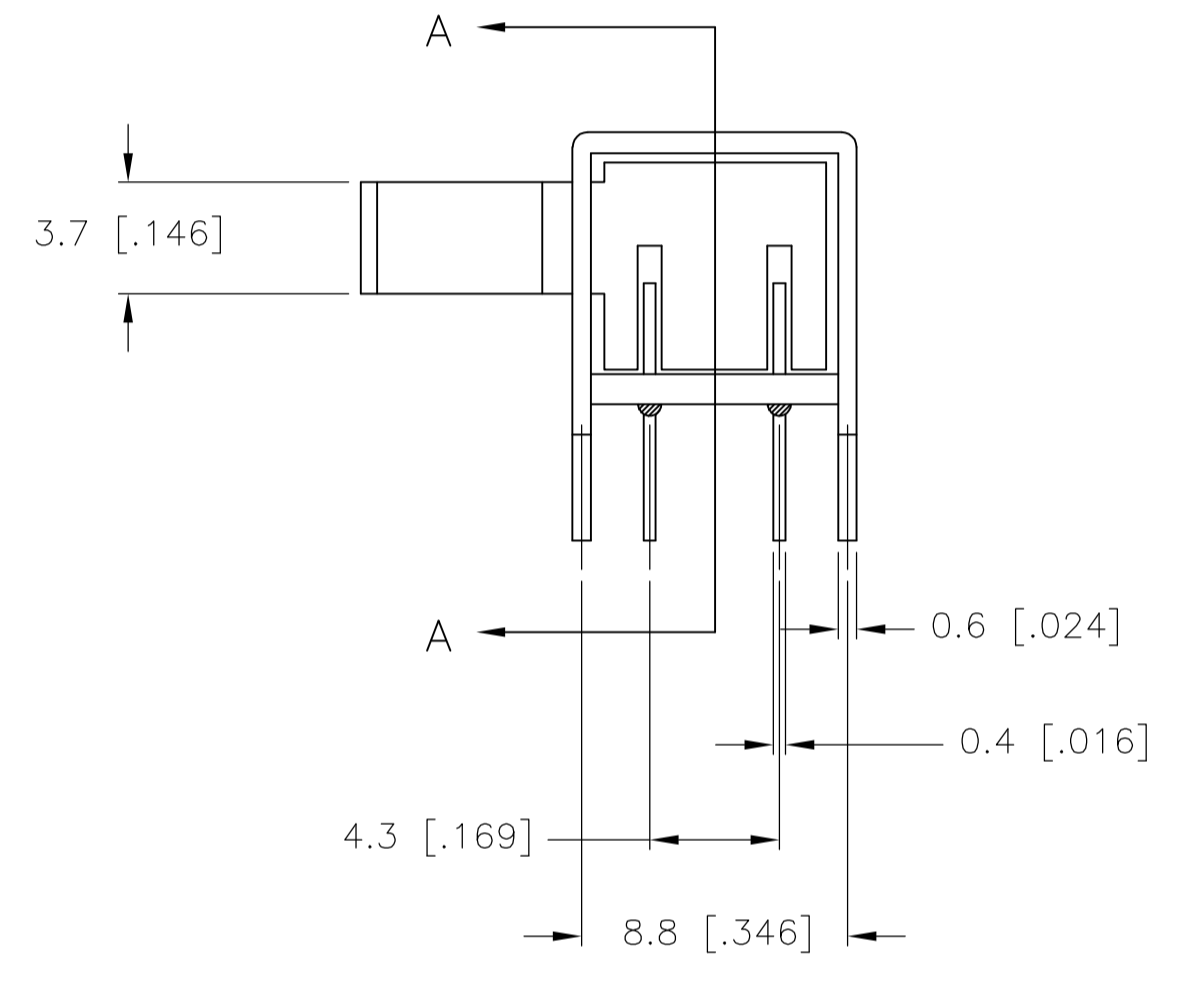


RECOMMENDED BOARD LAYOUT



SECTION A-A

SPECIFICATIONS  
MAKE-BEFORE-BREAK

MATERIALS:  
 ACTUATOR- POM, UL94HB BLACK  
 TERMINAL BOARD- PHENOLIC LAMINATED SHEET, UL94HB, NATURAL  
 FRAME- STEEL, NICKEL PLATE  
 TERMINAL/FIXED CONTACT- COPPER ALLOY, GOLD OR SILVER OVER NICKEL PLATE  
 MOVING CONTACT- COPPER ALLOY, GOLD OR SILVER OVER NICKEL PLATE  
 DETENT BALL- STEEL  
 COIL SPRING- GALVANIZED SPRING WIRE  
 SEAL- EPOXY

ELECTRICAL:  
 CONTACT RATING- .4VA@20VDC OR PEAK AC (GOLD); 300mA@125V AC (SILVER)  
 INITIAL CONTACT RESISTANCE- 30 milliohm max.  
 FINAL CONTACT RESISTANCE- 100 milliohm max. (AFTER TEST)  
 INSULATION RESISTANCE- 1,000 Megohms min.  
 DIELECTRIC STRENGTH- 500V RMS@SEA LEVEL  
 LIFE EXPECTANCY- 15,000 CYCLES MIN.

MECHANICAL:  
 ACTUATION FORCE- 600+/-300 GRAMS  
 TRAVEL- 2.0 +/-0.50 (.079 +/-0.020)

ENVIRONMENTAL:  
 OPERATING TEMPERATURE- -20 TO +85 DEGREES C  
 STORAGE TEMPERATURE- -40 TO +100 DEGREES C  
 RESISTANCE TO SOLDER HEAT PER 109-202, CONDITION B  
 SOLDERABILITY PER EIA-364-52, CLASS 2, CATEGORY 1, 95% MIN COVERAGE

NOTES:

1. COUNTRY OF ORIGIN AND TE LOGO LOCATED APPROXIMATELY AS SHOWN
2. LL MATERIALS AND FINISHES SHALL COMPLY WITH EU DIRECTIVE 2002/95/EC OF 27JAN2003 (ROHS)
3. ANTI SOLDER WICK SEAL AT TERMINAL TO BOARD INTERFACE
4. ALL PERFORMANCE TESTING WAS DONE IN ACCORDANCE TO TE CONNECTIVITY SPECIFICATION 102-2469

|           |              |         |  |  |
|-----------|--------------|---------|--|--|
| 1825265-2 | MSS4200R04   | GOLD    | 1 TO 2<br>4 TO 5<br>7 TO 8<br>10 TO 11 | 2 TO 3<br>5 TO 6<br>8 TO 9<br>11 TO 12 |
| 1825265-1 | MSS4200R04   | SILVER  | 1 TO 2<br>4 TO 5<br>7 TO 8<br>10 TO 11 | 2 TO 3<br>5 TO 6<br>8 TO 9<br>11 TO 12 |
| PART NO.  | T&B PART NO. | PLATING |  |  |

THIS DRAWING IS A CONTROLLED DOCUMENT.

|  |          |            |                               |                 |
|--|----------|------------|-------------------------------|-----------------|
| DWN                                    | R BROWN  | 21DEC05    |                               | TE Connectivity |
| CHK                                    | M SARVER | 21DEC05    |                               |                 |
| APVD                                   | M SARVER | 21DEC05    | NAME                          |                 |
| DIMENSIONS: mm                         |          |            | PRODUCT SPEC                  |                 |
| TOLERANCES UNLESS OTHERWISE SPECIFIED: |          |            | APPLICATION SPEC              |                 |
| 0 PLC                                  | ±        | -          | SIZE                          |                 |
| 1 PLC                                  | ±        | 0.3 [0.12] | CAGE CODE                     |                 |
| 2 PLC                                  | ±        | -          | DRAWING NO                    |                 |
| 3 PLC                                  | ±        | -          | RESTRICTED TO                 |                 |
| 4 PLC                                  | ±        | -          | A1 00779 ©=1825265            |                 |
| ANGLES                                 | ±        | -          | WEIGHT                        |                 |
| MATERIAL                               |          |            | CUSTOMER DRAWING              |                 |
| FINISH                                 |          |            | SCALE 4:1 SHEET 1 OF 1 REV A3 |                 |

## X-ON Electronics

Largest Supplier of Electrical and Electronic Components

*Click to view similar products for [Slide Switches](#) category:*

*Click to view products by [TE Connectivity](#) manufacturer:*

Other Similar products are found below :

[6-1437581-1](#) [M43R](#) [MHS123K15D](#) [MHS133K](#) [MHSS1104A](#) [MMD](#) [GH49S010001](#) [MSS12A](#) [EPS1PC1](#) [1825074-1](#) [1825160-3](#) [1825167-2](#)  
[1825289-7](#) [K232CB](#) [25139NLDB](#) [25449NAH](#) [SLB1240R45](#) [1825078-1](#) [1825080-4](#) [1825269-1](#) [1825270-2](#) [STS141RA04](#) [T2215BEN506](#)  
[GH46P000001](#) [GH46W000001](#) [GH49P010001](#) [25339NA](#) [M42A](#) [TG36P000000](#) [TG36P000050](#) [AYZ0202AG](#) [47227LFE](#) [49331L](#) [50208L](#)  
[L203091MS02Q](#) [4-1437581-7](#) [X2225CR-437W](#) [49329L](#) [1101M1S3ZB8E2](#) [1-1437581-1](#) [MSS2225G04](#) [TG39W000000](#) [1825075-1](#)  
[MSS42G](#) [TG36WS80065](#) [T105S1CWZBE](#) [SLB124145](#) [SLB1280R5](#) [SLB1340R45](#) [25136NLDB](#)