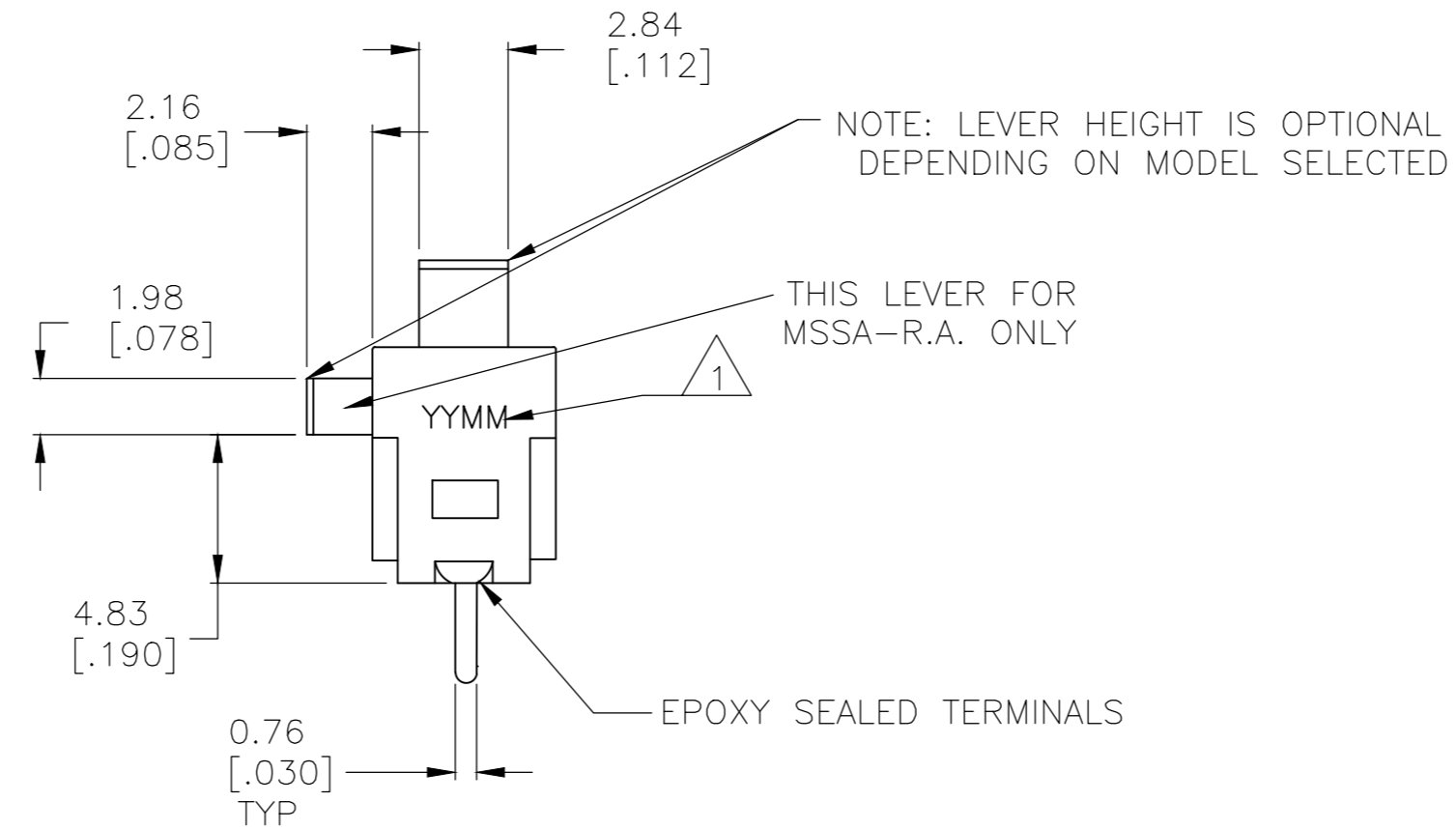
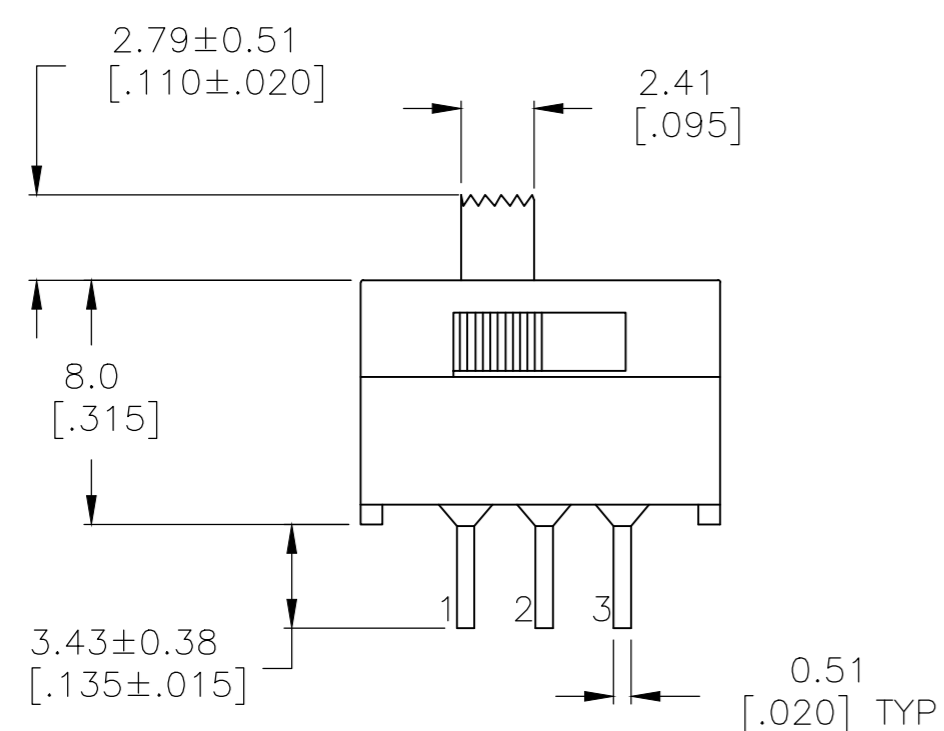
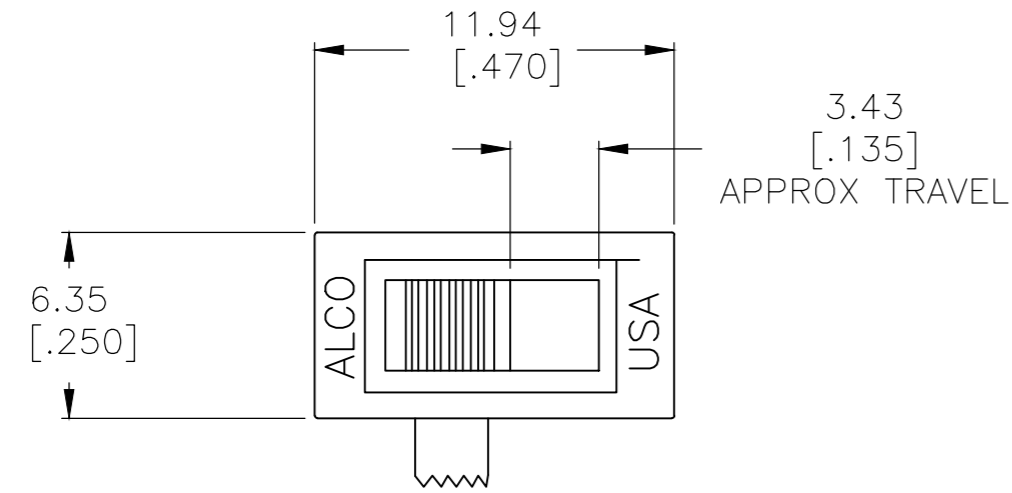


THIS DRAWING IS UNPUBLISHED. RELEASED FOR PUBLICATION
 © COPYRIGHT - By - ALL RIGHTS RESERVED.

REVISIONS					
P	LTR	DESCRIPTION	DATE	DWN	APVD
B5		REVISED PER ECO-16-018096	23MAY2017	RK	PO



SPECIFICATIONS:
 BREAK-BEFORE-MAKE

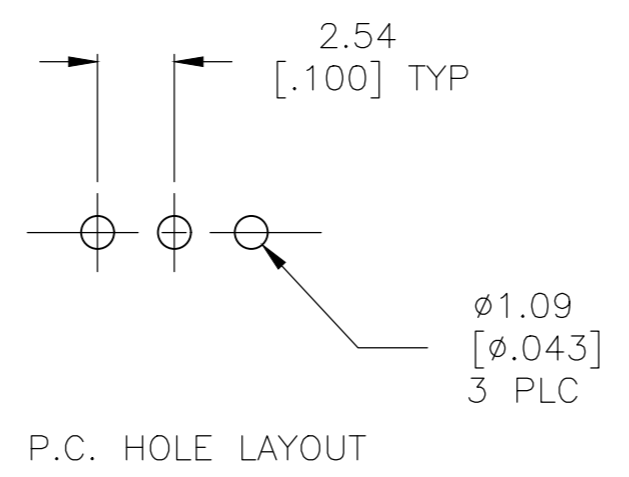
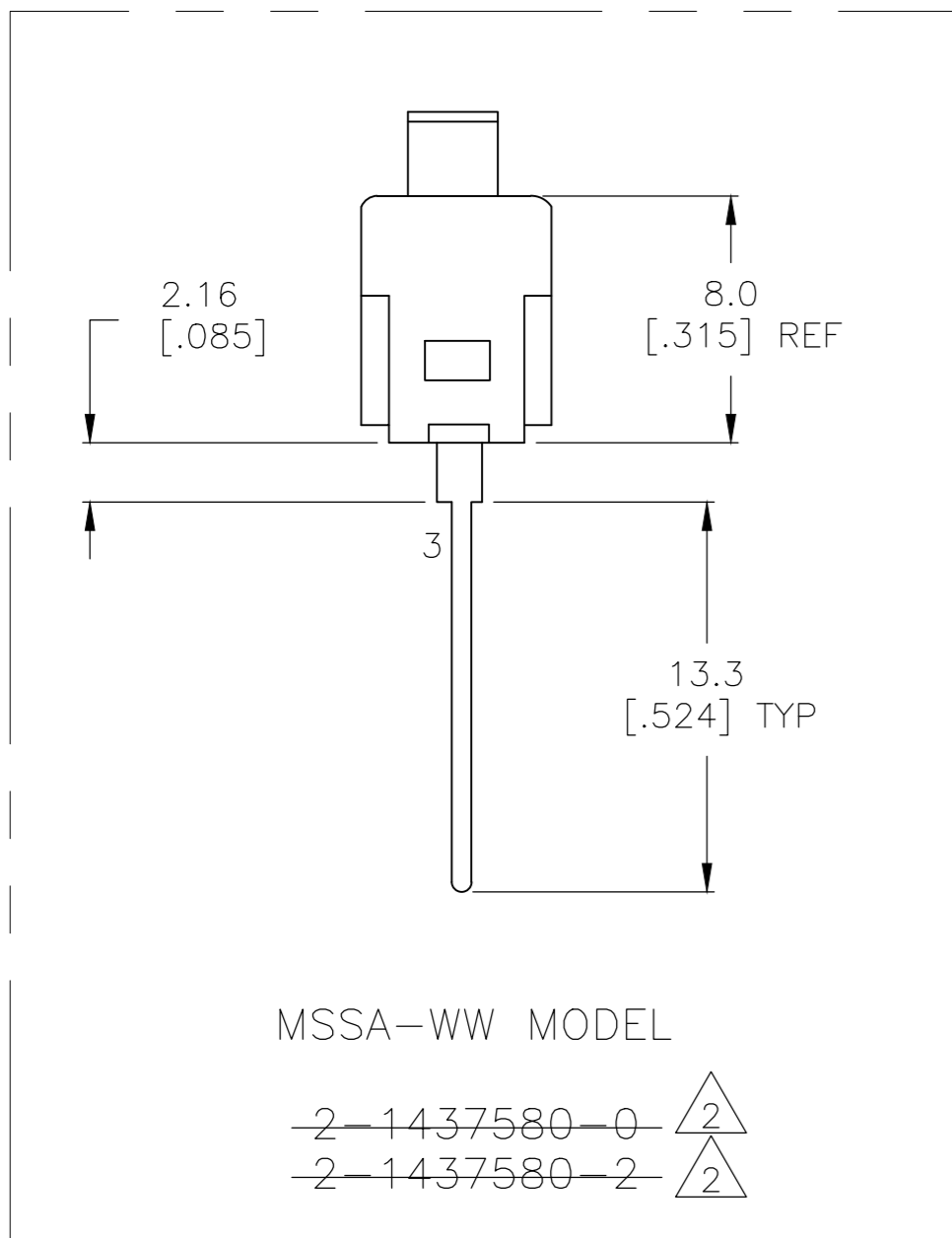
MATERIAL:
 SLIDER, GLASS FILLED NYLON, UL94-HB, BLACK.
 BASE, GLASS FILLED PBT, BLUE.
 COVER, GLASS FILLED PBT, BLUE.
 SLIDE PLATE, STAINLESS STEEL.
 ACTUATOR, PPS, BLACK.
 ROCKER CONTACT(GOLD), COPPER ALLOY, GOLD OVER NICKEL PLATING.
 ROCKER CONTACT(SILVER), COPPER ALLOY PLUS COINED SILVER.
 FIXED CONTACT/TERMINAL (GOLD), COPPER ALLOY, GOLD OVER NICKEL PLATE.
 FIXED CONTACT/TERMINAL(SILVER), COPPER ALLOY PLUS COINED SILVER, GOLD OVER NICKEL PLATE.

ELECTRICAL:
 CONTACT RATING(SILVER)- 3A@115V AC OR 1.5A@230V AC
 CONTACT RATING(GOLD)- .4VA MAX@20V DC OR PEAK AC
 INITIAL CONTACT RESISTANCE - 20 MILLIOHMS MAX.
 INSULATION RESISTANCE- 1000 MEGOHMS MIN @ 500V DC
 DIELECTRIC STRENGTH- 500 V RMS@SEA LEVEL.
 LIFE EXPECTANCY- 30,000 OPERATIONS.

MECHANICAL:
 OPERATING FORCE- 600±300 GRAMS.
 TRAVEL-.120

ENVIRONMENTAL:
 OPERATING TEMPERATURE- -20°C TO +65°C
 STORAGE TEMPERATURE- -40°C TO +100°C
 SOLDER HEAT RESISTANCE- PER 109-202, CONDITION B.
 SOLDERABILITY PER EIA 364-52, CLASS 2, CATAGORY 1.

- △1 DATE CODE MARKING YYMM (YEAR, MONTH).
- △2 OBSOLETE.



△2	2,1	OFF	2,3	SILVER	MSSA104E	2-1437580-6
△2	2,1	NONE	2,3	SILVER	MSSA104DRA	2-1437580-5
△2	2,1	NONE	2,3	SILVER	MSSA104D1	2-1437580-4
△2	2,1	NONE	2,3	SILVER	MSSA104D	2-1437580-3
△2	2,1	OFF	2,3	GOLD	MSSA101EGWW	2-1437580-2
△2	2,1	OFF	2,3	GOLD	MSSA101EGRA	2-1437580-1
△2	2,1	NONE	2,3	GOLD	MSSA101DGWW	2-1437580-0
△2	2,1	NONE	2,3	GOLD	MSSA101DGRA	1-1437580-9
△2	2,1	NONE	2,3	GOLD	MSSA101DG1	1-1437580-8
△2	2,1	NONE	2,3	GOLD	MSSA101DG	1-1437580-7
					PLATING	
					ALCO PART NO.	PART NO.

THIS DRAWING IS A CONTROLLED DOCUMENT.

DWN 23DEC80
 CHK ROBERT.J.WINGROVE
 30DEC80

APVD 05JAN81

PRODUCT SPEC

APPLICATION SPEC

WEIGHT

CUSTOMER DRAWING

TE Connectivity

SLIDE SWITCH SP & SPRA

SIZE A2 CAGE CODE 00779 DRAWING NO. 1-1437580-7 RESTRICTED TO

SCALE 4:1 SHEET 1 OF 1 REV B5

X-ON Electronics

Largest Supplier of Electrical and Electronic Components

Click to view similar products for [Slide Switches](#) category:

Click to view products by [TE Connectivity](#) manufacturer:

Other Similar products are found below :

[6-1437581-1](#) [M43R](#) [MHSS1104A](#) [MMD](#) [GH36W010001](#) [GH49S010001](#) [1437576-8](#) [EPS1PC1](#) [1825074-1](#) [1825160-3](#) [1825167-2](#)
[25139NLDB](#) [25449NAH](#) [L101011ML04B](#) [SLB1240R45](#) [SLSA12004](#) [1825078-1](#) [1825080-4](#) [1825081-1](#) [1825269-1](#) [1825270-2](#)
[STS141RA04](#) [T2215BEN506](#) [GF-124-0204](#) [GH46P000001](#) [GH46W000001](#) [GH49P010001](#) [25339NA](#) [25436NLDH](#) [CST91246FK](#)
[TG36P000000](#) [TG36P000050](#) [47227LFE](#) [49331L](#) [MHSS1105A](#) [50208L](#) [L202091MS02Q](#) [4-1437581-7](#) [X2225CR-437W](#) [48BFSP3M2QT](#)
[49329L](#) [1101M1S3ZB8E2](#) [1-1437581-1](#) [EG1218REDACTUATOR](#) [TG39W000000](#) [1825075-1](#) [TG36WS80065](#) [T105S1CWZBE](#)
[SLB1280R5](#) [25136NLDB](#)