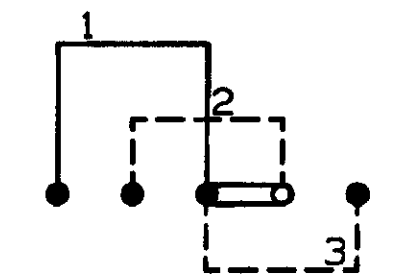
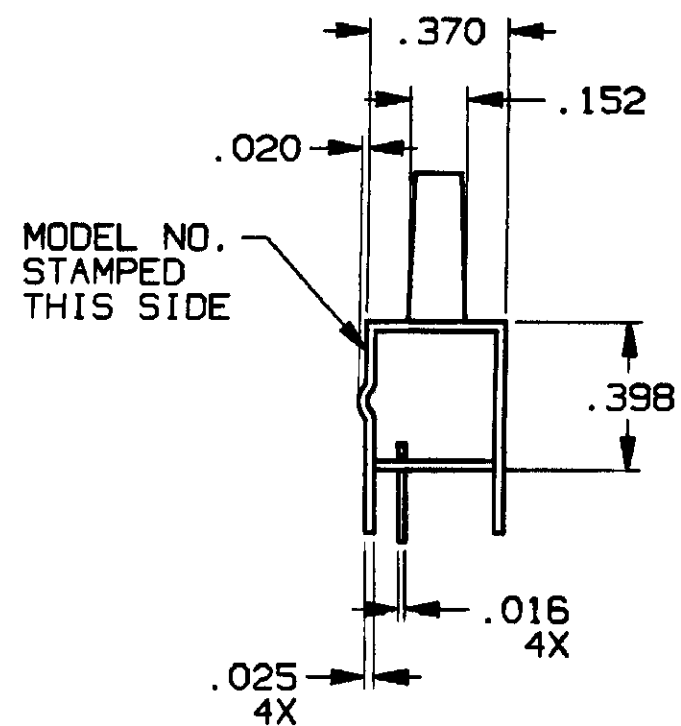
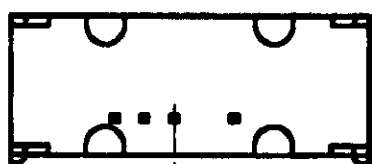
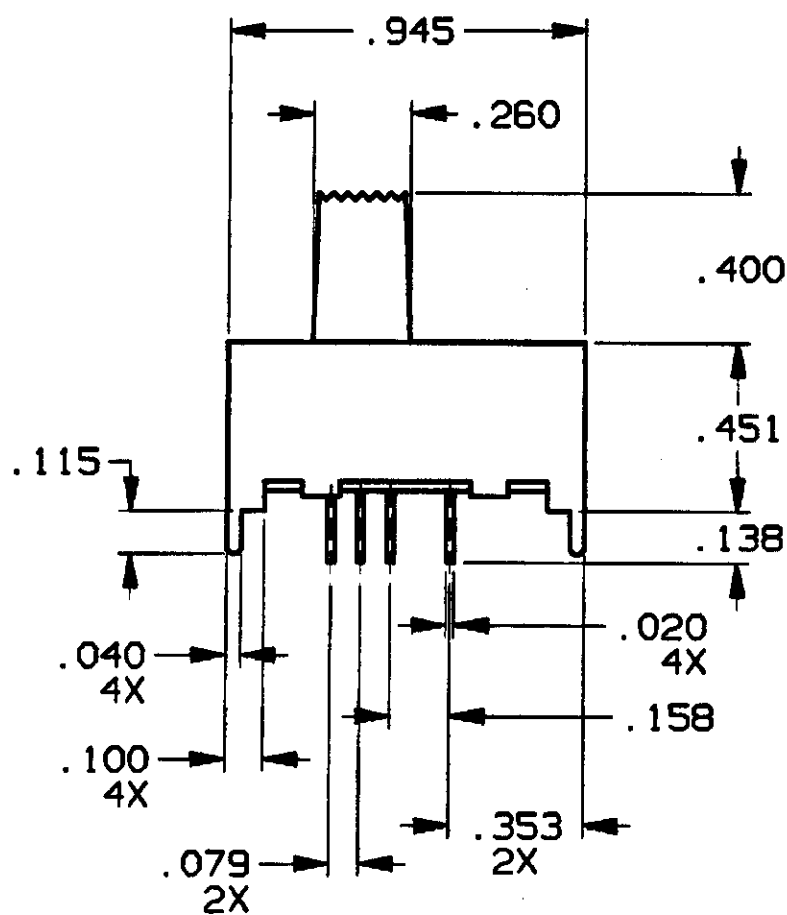
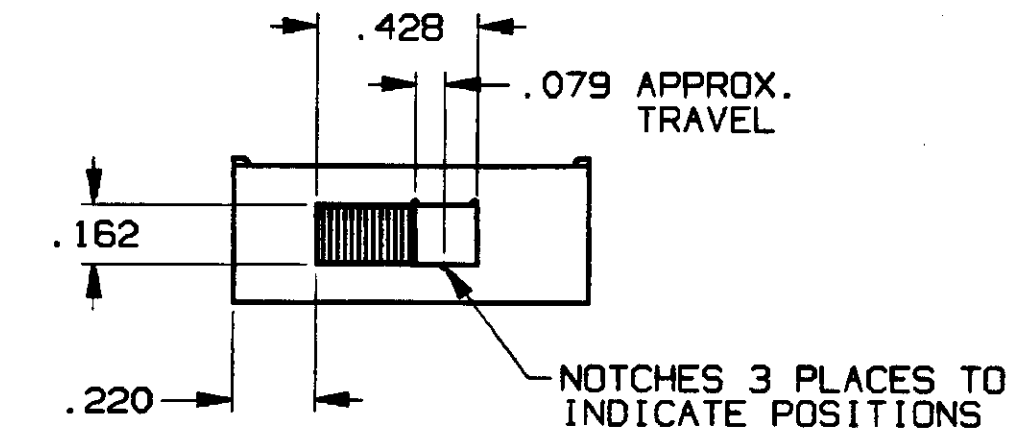


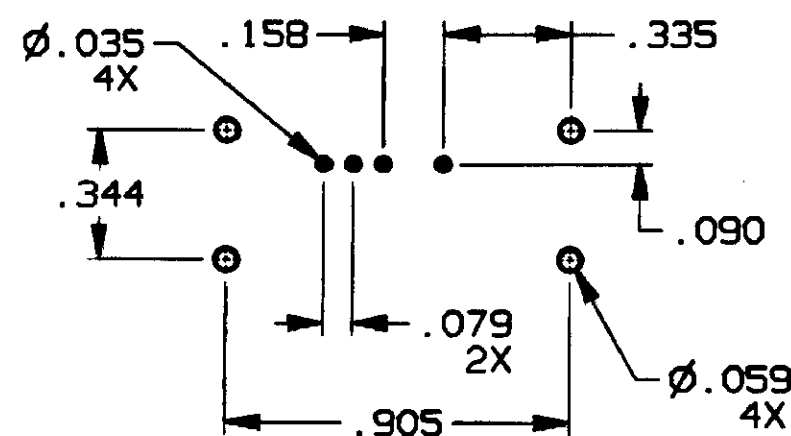
CONVERSION CHART			
INCH	MM	INCH	MM
.002	0.05	.905	22.99
.015	0.38	.945	24.00
.016	0.41		
.020	0.51		
.025	0.61		
.035	0.89		
.040	1.01		
.059	1.50		
.079	2.01		
.090	2.29		
.100	2.54		
.115	2.92		
.138	3.51		
.152	3.86		
.158	4.01		
.162	4.11		
.220	5.59		
.260	6.60		
.335	8.51		
.344	8.74		
.370	9.40		
.398	10.10		
.400	10.16		
.428	10.90		
.451	11.46		



CIRCUIT DIAGRAM



COMMON TERMINAL



RECOMMENDED HOLE LAYOUT

TOLERANCE $\pm .002$ UNLESS OTHERWISE NOTED

SPECIFICATIONS:

MATERIALS:

CASE: COLD ROLLED STEEL.
 ACTUATOR: POLYESTER, UL94V-0.
 MOVING CONTACT: COPPER ALLOY, SEE CHART FOR PLATING.
 TERMINAL/FIXED CONTACT: COPPER ALLOY, SEE CHART FOR PLATING.
 TERMINAL SEAL: EPOXY.

ELECTRICAL:

CONTACT RATING: SILVER: 300mA @ 125 VAC
 GOLD: 0.4 VA MAX. @ 20 VDC OR PEAK AC.
 INITIAL CONTACT RESISTANCE: 30 MILLIOHMS MAX.
 INSULATION RESISTANCE: 1.00 MEGOHMS MIN.
 DIELECTRIC STRENGTH: 500 VOLTS RMS @ SEA LEVEL.
 LIFE EXPECTANCY: 15,000 CYCLES.
 CONTACT TIMING: MAKE BEFORE BREAK.

MECHANICAL:

ACTUATION FORCE: 600 \pm 300 GRAMS.
 ACTUATION TRAVEL: .079 IN.

ENVIRONMENTAL:

OPERATING TEMPERATURE: -4°F TO +185°F (-20°C TO +85°C).
 STORAGE TEMPERATURE: -40°F TO +212°F (-40°C TO +100°C).

NOTES:

1. INTERPRET DRAWING PER ANSI Y14.5M-1982.

MODEL NO.	CONTACT PLATING
MSSA-1350	SILVER OVER NICKEL
MSSA-1350G	GOLD OVER NICKEL

AUGAT D/N 40238-SD

THIS IS A C.A.D. GENERATED DRAWING. DO NOT MAKE MANUAL REVISIONS TO MASTER.

CUSTOMER DRAWING			
SPECIFICATIONS ARE SUBJECT TO CHANGES WITHOUT NOTICE			
THIRD ANGLE PROJECTION TOLERANCES (EXCEPT AS NOTED) ANGULAR = $\pm 1^\circ$ DECIMAL .XX = \pm DECIMAL .XXX = $\pm .015$ DECIMAL .XXXX = \pm TYCO CONFIDENTIAL This document contains information which is the exclusive property of TYCO ELECTRONICS Distribution, reproduction or use by others is not permitted without the expressed written consent of Augat Inc.	UNLESS OTHERWISE SPECIFIED DIMENSIONS ARE IN INCHES DO NOT SCALE PRINT	ORIGINAL DATE OF DRAWING: 9-20-96	TYCO ELECTRONICS TITLE: CUSTOMER DRAWING SLIDE SWITCH (MSSA 1350 & 1350G) DWG. NO. 3-1437580-3 PRODUCT CODE: CS2 SCALE: SHEET 1 OF 1
	MATERIAL: SEE SPECIFICATIONS	DRAWN: S.KIRCORIAN CHECKED: APPROVED: <i>S. Kircorian</i> DATE: 12/2/96 CODE IDENT. NO. 91506 DWG. SIZE C NEXT ASSY:	
FINISH: SEE SPECIFICATIONS			REV. A

REV	A
REVISIONS	0G3C-0173-02

X-ON Electronics

Largest Supplier of Electrical and Electronic Components

Click to view similar products for [Slide Switches](#) category:

Click to view products by [TE Connectivity](#) manufacturer:

Other Similar products are found below :

[6-1437581-1](#) [M43R](#) [MHS123K15D](#) [MHS133K](#) [MHSS1104A](#) [MMD](#) [GH49S010001](#) [MSS12A](#) [EPS1PC1](#) [1825074-1](#) [1825160-3](#) [1825167-2](#)
[1825289-7](#) [K232CB](#) [25139NLDB](#) [25449NAH](#) [SLB1240R45](#) [1825078-1](#) [1825080-4](#) [1825269-1](#) [1825270-2](#) [STS141RA04](#) [T2215BEN506](#)
[GH46P000001](#) [GH46W000001](#) [GH49P010001](#) [25339NA](#) [M42A](#) [TG36P000000](#) [TG36P000050](#) [AYZ0202AG](#) [47227LFE](#) [49331L](#) [50208L](#)
[L203091MS02Q](#) [4-1437581-7](#) [X2225CR-437W](#) [49329L](#) [1101M1S3ZB8E2](#) [1-1437581-1](#) [MSS2225G04](#) [TG39W000000](#) [1825075-1](#)
[MSS42G](#) [TG36WS80065](#) [T105S1CWZBE](#) [SLB124145](#) [SLB1280R5](#) [SLB1340R45](#) [25136NLDB](#)