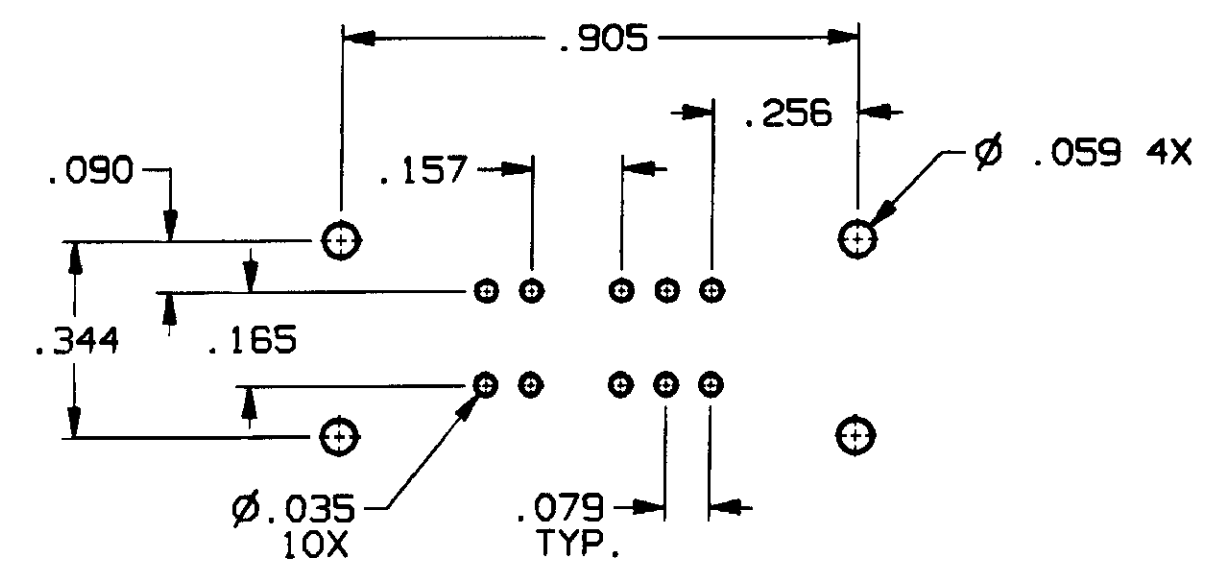
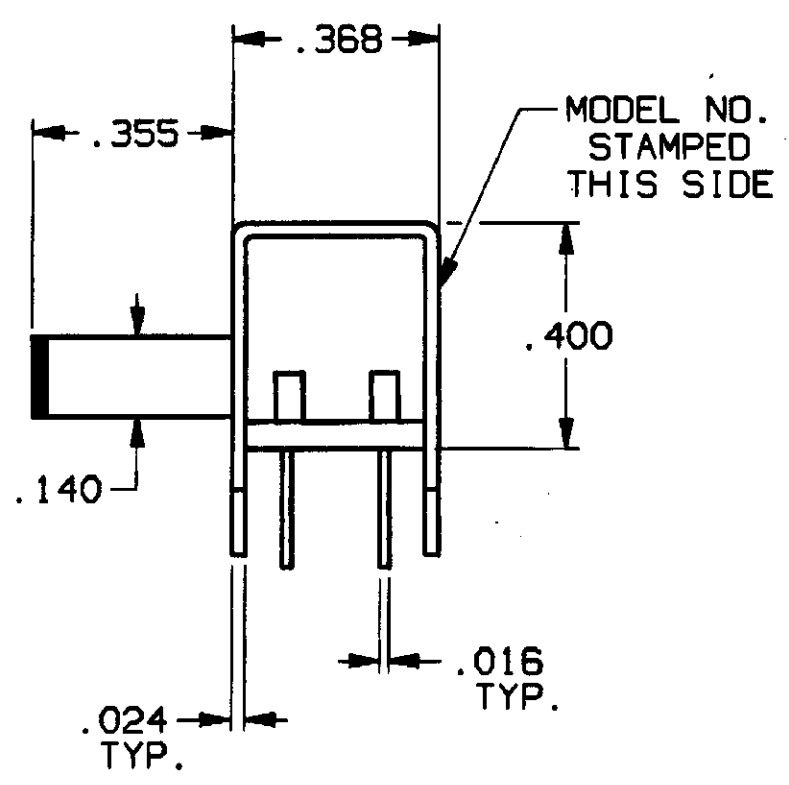
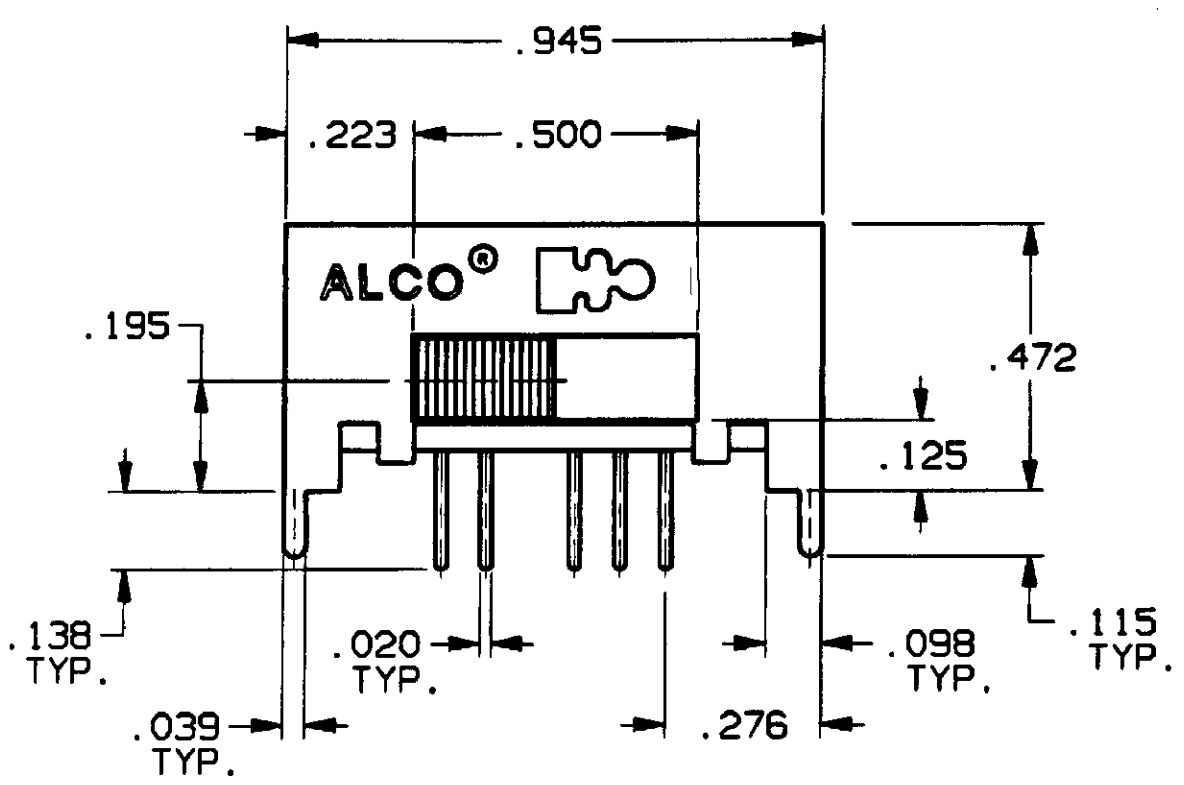
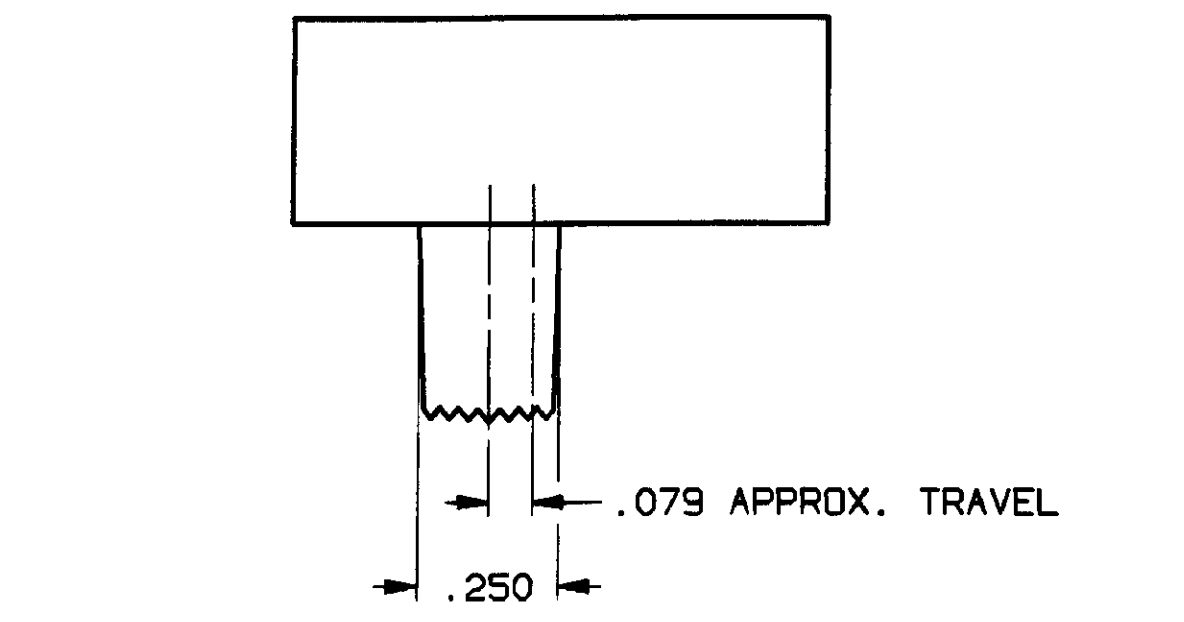


| INCH | MM    |
|------|-------|
| .002 | 0.05  |
| .010 | 0.25  |
| .016 | 0.40  |
| .020 | 0.50  |
| .024 | 0.60  |
| .035 | 0.88  |
| .039 | 0.99  |
| .059 | 1.49  |
| .079 | 2.00  |
| .090 | 2.28  |
| .098 | 2.48  |
| .110 | 2.79  |
| .115 | 2.92  |
| .125 | 3.17  |
| .138 | 3.50  |
| .140 | 3.98  |
| .157 | 3.98  |
| .165 | 4.19  |
| .195 | 4.95  |
| .250 | 6.35  |
| .256 | 6.50  |
| .276 | 7.01  |
| .344 | 8.73  |
| .355 | 9.01  |
| .368 | 9.34  |
| .400 | 10.16 |
| .472 | 11.98 |
| .500 | 12.70 |
| .905 | 22.98 |
| .945 | 24.03 |



**PC HOLE LAYOUT (TOP VIEW)**  
RECOMMENDED TOLERANCES ±.002

**SPECIFICATIONS:**

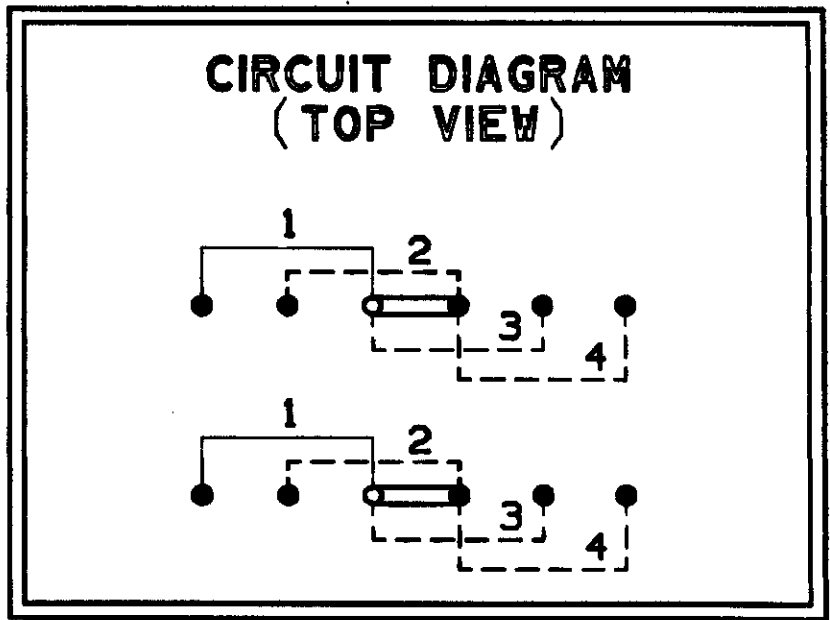
**MATERIALS:**  
CASE: COLD ROLLED STEEL.  
ACTUATOR: POLYESTER, UL94V-0.  
TERMINALS: GOLD OR SILVER PLATE.  
TERMINAL SEAL: EPOXY.  
CONTACTS, MOVING: COPPER ALLOY, GOLD OR SILVER PLATE.  
CONTACTS, FIXED: COPPER ALLOY, GOLD OR SILVER PLATE.

**ELECTRICAL:**  
CONTACT RATING, SILVER: 300 MA • 125 VAC.  
CONTACT RATING, GOLD: 0.4 VA MAX. • 20 VDC OR PEAK AC.  
CONTACT TIMING: SHORTING.  
INITIAL CONTACT RESISTANCE: 30 MILLIOHMS MAX.  
INSULATION RESISTANCE: 1,000 MEGOHMS MIN.  
DIELECTRIC STRENGTH: 500 VOLTS RMS • SEA LEVEL.  
LIFE EXPECTANCY: 15,000 CYCLES.

**MECHANICAL:**  
ACTUATION FORCE: 470 GRAMS, AVERAGE.  
ACTUATOR TRAVEL: .079 IN.

**ENVIRONMENTAL:**  
OPERATING TEMPERATURE: -4°F TO +185°F, (-20°C TO +85°C).  
STORAGE TEMPERATURE: -40°F TO +212°F, (-40°C TO +100°C).

**NOTES:** UNLESS OTHERWISE SPECIFIED  
1. INTERPRET DRAWING PER ANSI Y14.5M 1982.



| MODEL NO.   | PLATING |
|-------------|---------|
| MSSA-2450R  | SILVER  |
| MSSA-2450RG | GOLD    |

AUGAT D/N 40115-SD

THIS IS A C.A.D. GENERATED DRAWING.  
DO NOT MAKE MANUAL REVISIONS TO MASTER.

| CUSTOMER DRAWING  |  |                                   |   |
|---|--|-----------------------------------|---|
| SPECIFICATIONS ARE SUBJECT TO CHANGES WITHOUT NOTICE  |  |                                   |   |
| THIRD ANGLE PROJECTION<br>TOLERANCES (EXCEPT AS NOTED)<br>ANGULAR = ±1°<br>DECIMAL .XXX = ±.010<br>AUGAT CONFIDENTIAL<br>This document contains information which is the exclusive property of Augat Inc.<br>Distribution, reproduction or use by others is not permitted without the expressed written consent of Augat Inc. | UNLESS OTHERWISE SPECIFIED DIMENSIONS ARE IN MILLIMETERS. DO NOT SCALE PRINT | ORIGINAL DATE OF DRAWING: 9-19-96 | <b>TYCO</b> ELECTRONICS<br>TITLE: CUSTOMER DRAWING<br>SLIDE SWITCH, DP 4 POS.<br>(MSSA-2450R SERIES)<br>DWG. NO. <b>5-1437580-9</b><br>PRODUCT CODE: _____<br>SCALE: _____ SHEET 1 OF 1 |
|   | MATERIAL: SEE SPECIFICATIONS   | DRAWN: C. THEODORE DATE: 9-19-96  |   |
| FINISH: SEE SPECIFICATIONS  | APPROVED: DATE:  | CODE IDENT. NO. 91506             | DWG. SIZE C   |
|   |  | NEXT ASSY:                        |   |

| REV       | A            |
|-----------|--------------|
| REVISIONS | OG3C-0173-02 |

## X-ON Electronics

Largest Supplier of Electrical and Electronic Components

*Click to view similar products for [Slide Switches](#) category:*

*Click to view products by [TE Connectivity](#) manufacturer:*

Other Similar products are found below :

[6-1437581-1](#) [M43R](#) [MHSS1104A](#) [MMD](#) [GH36W010001](#) [GH49S010001](#) [1437576-8](#) [EPS1PC1](#) [1825074-1](#) [1825160-3](#) [1825167-2](#)  
[25139NLDB](#) [25449NAH](#) [L101011ML04B](#) [SLB1240R45](#) [SLSA12004](#) [1825078-1](#) [1825080-4](#) [1825081-1](#) [1825269-1](#) [1825270-2](#)  
[STS141RA04](#) [T2215BEN506](#) [GF-124-0204](#) [GH46P000001](#) [GH46W000001](#) [GH49P010001](#) [25339NA](#) [25436NLDH](#) [CST91246FK](#)  
[TG36P000000](#) [TG36P000050](#) [47227LFE](#) [49331L](#) [MHSS1105A](#) [50208L](#) [L202091MS02Q](#) [4-1437581-7](#) [X2225CR-437W](#) [48BFSP3M2QT](#)  
[49329L](#) [1101M1S3ZB8E2](#) [1-1437581-1](#) [EG1218REDACTUATOR](#) [TG39W000000](#) [1825075-1](#) [TG36WS80065](#) [T105S1CWZBE](#)  
[SLB1280R5](#) [25136NLDB](#)