

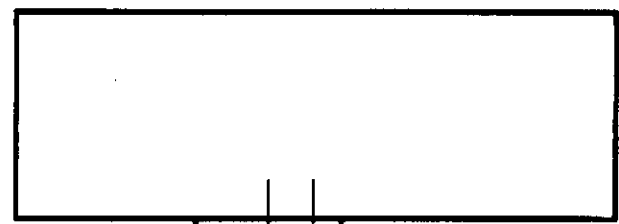
4

3

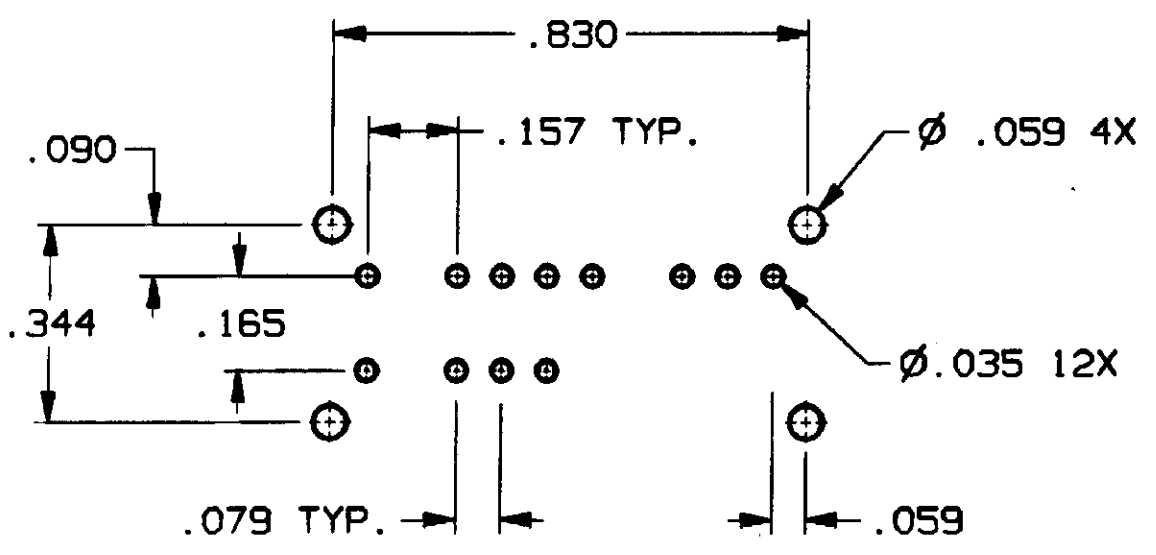
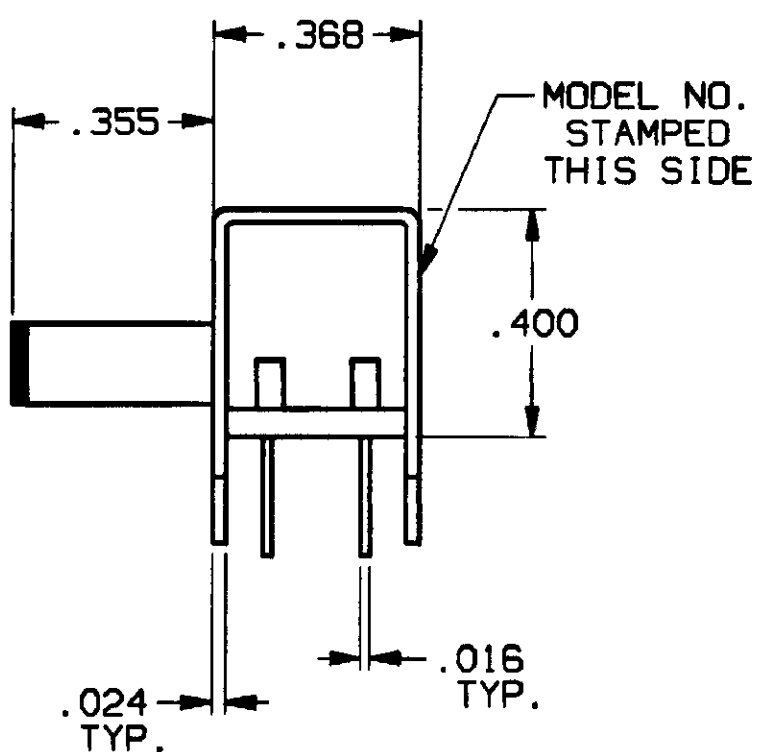
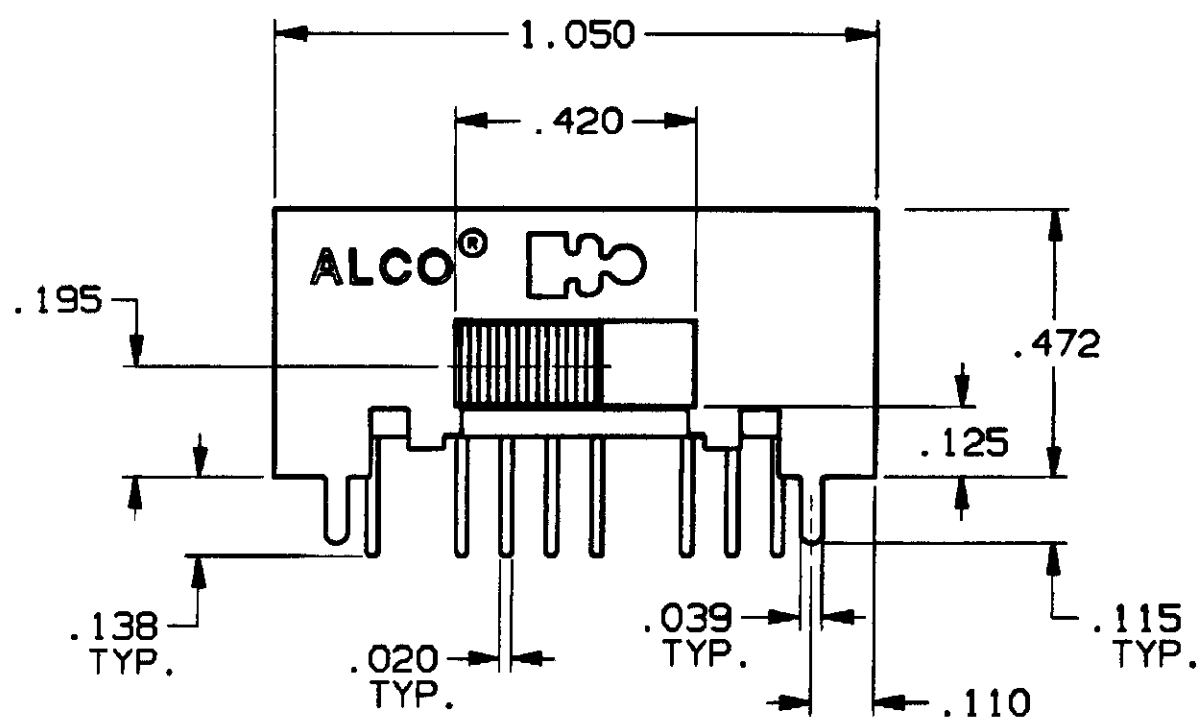
2

1

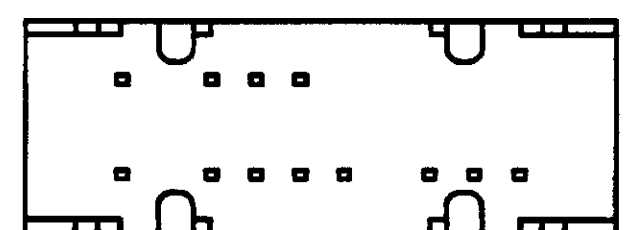
CONVERSION CHART	
INCH	MM
.002	0,05
.010	0,25
.016	0,40
.020	0,50
.024	0,60
.035	0,88
.039	0,99
.059	1,49
.079	2,00
.090	2,28
.110	2,79
.115	2,92
.125	3,17
.138	3,50
.157	3,98
.158	4,01
.165	4,19
.195	4,95
.255	6,47
.270	6,85
.273	7,01
.306	7,77
.344	8,73
.355	9,01
.368	9,34
.400	10,16
.420	10,66
.472	11,98
.830	21,08
1.050	26,67



.079 APPROX. TRAVEL
.255



PC HOLE LAYOUT (TOP VIEW)
RECOMMENDED TOLERANCES ±.002



**SWITCH
BOTTOM VIEW**

SPECIFICATIONS:

MATERIALS:
CASE: COLD ROLLED STEEL.
ACTUATOR: POLYESTER, UL94V-0.
TERMINALS: GOLD OR SILVER PLATE.
TERMINAL SEAL: EPOXY.
CONTACTS, MOVING: COPPER ALLOY, GOLD OR SILVER PLATE.
CONTACTS, FIXED: COPPER ALLOY, GOLD OR SILVER PLATE.

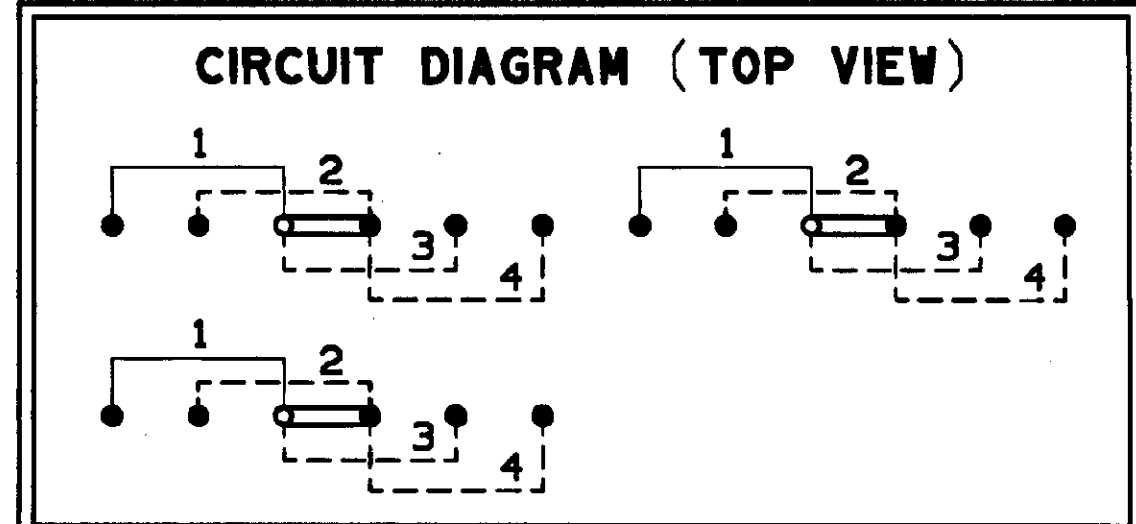
ELECTRICAL:
CONTACT RATING, SILVER: 300 MA @ 125 VAC.
CONTACT RATING, GOLD: 0.4 VA MAX. @ 20 VDC OR PEAK AC.
CONTACT TIMING: SHORTING.
INITIAL CONTACT RESISTANCE: 30 MILLIOHMS MAX.
INSULATION RESISTANCE: 1,000 MEGOHMS MIN.
DIELECTRIC STRENGTH: 500 VOLTS RMS @ SEA LEVEL.
LIFE EXPECTANCY: 15,000 CYCLES.

MECHANICAL:
ACTUATION FORCE: 470 GRAMS, AVERAGE.
ACTUATOR TRAVEL: .079 IN.

ENVIRONMENTAL:
OPERATING TEMPERATURE: -4°F TO +185°F, (-20°C TO +85°C).
STORAGE TEMPERATURE: -40°F TO +212°F, (-40°C TO +100°C).

NOTES: UNLESS OTHERWISE SPECIFIED

1. INTERPRET DRAWING PER ANSI Y14.5M 1982.
2. OBSOLETE PARTS: OBSOLETE CIS STREAMLINING PER D.RENAUD/D.SINISI



MODEL NO.	PLATING
MSSA-3350R	SILVER
MSSA-3350RG	GOLD

2 OBSOLETE

AUGAT D/N 40114-SD

CUSTOMER DRAWING			
SPECIFICATIONS ARE SUBJECT TO CHANGES WITHOUT NOTICE			
THIRD ANGLE PROJECTION TOLERANCES (EXCEPT AS NOTED) ANGULAR = ±1° DECIMAL .XXX = ±.010	UNLESS OTHERWISE SPECIFIED DIMENSIONS ARE IN MILLI-METERS. DO NOT SCALE PRINT MATERIAL: SEE SPECIFICATIONS FINISH: SEE SPECIFICATIONS	ORIGINAL DATE OF DRAWING: 9-19-96 DRAWN: C. THEODORE DATE: 9-19-96	THIS IS A C.A.D. GENERATED DRAWING. DO NOT MAKE MANUAL REVISIONS TO MASTER. TYCO ELECTRONICS TITLE: CUSTOMER DRAWING SLIDE SWITCH, 3 POS. (MSSA-3350R SERIES)
		APPROVED: _____ DATE: _____	

REV	A	A1
REVISIONS	0G3C-0173-02	ECO-09-026495

4

3

2

1

X-ON Electronics

Largest Supplier of Electrical and Electronic Components

Click to view similar products for [Slide Switches](#) category:

Click to view products by [TE Connectivity](#) manufacturer:

Other Similar products are found below :

[6-1437581-1](#) [M43R](#) [MHSS1104A](#) [MMD](#) [GH36W010001](#) [GH49S010001](#) [1437576-8](#) [EPS1PC1](#) [1825074-1](#) [1825160-3](#) [1825167-2](#)
[25139NLDB](#) [25449NAH](#) [L101011ML04B](#) [SLB1240R45](#) [SLSA12004](#) [1825078-1](#) [1825080-4](#) [1825081-1](#) [1825269-1](#) [1825270-2](#)
[STS141RA04](#) [T2215BEN506](#) [GF-124-0204](#) [GH46P000001](#) [GH46W000001](#) [GH49P010001](#) [25339NA](#) [25436NLDH](#) [CST91246FK](#)
[TG36P000000](#) [TG36P000050](#) [47227LFE](#) [49331L](#) [MHSS1105A](#) [50208L](#) [L202091MS02Q](#) [4-1437581-7](#) [X2225CR-437W](#) [48BFSP3M2QT](#)
[49329L](#) [1101M1S3ZB8E2](#) [1-1437581-1](#) [EG1218REDACTUATOR](#) [TG39W000000](#) [1825075-1](#) [TG36WS80065](#) [T105S1CWZBE](#)
[SLB1280R5](#) [25136NLDB](#)