

MT6000-3/16-X-SP ✓ ACTIVE

TE Internal #: CM9837-000

Heat Shrink Tubing, Clear, Single Wall Type, 4.75 Expanded Inside Diameter (Min) .187 Expanded Inside Diameter (Min)

[View on TE.com >](#)



Heat Shrink Tubing

Primary Product Color: **Clear**

Wall Type: **Single**

Expanded Inside Diameter (Min): **4.75 mm [.187 in]**

Recovered Inside Diameter (Max): **1.19 mm [.093 in]**

Shrink Ratio: **4:1**

Features

Product Type Features

Product Family	MT6000
Wall Type	Single

Electrical Characteristics

Voltage (Max)	1 kV
---------------	------

Body Features

Fluid Type	Medical Fluids, Water
Primary Product Color	Clear
Shrink Ratio	4:1
Primary Product Material	Medical Grade Crosslinked Polyolefin
Flexibility	Flexible

Dimensions

Recovered Wall Thickness (Nominal)	.5 mm[.02 in]
Expanded Inside Diameter (Min)	4.75 mm[.187 in]
Recovered Inside Diameter (Max)	1.19 mm[.093 in]

Usage Conditions

Fluid Resistance	Moisture/Spray Protection, Splash Protection
Shrink Temperature (Min)	110 °C
Heat Shrink Tubing Flammability	Non-Flame-Retardant
Operating Temperature Range	-40 – 110 °C
Heat Shrink Tubing Resistance	Fluids, Impact, Radiation Sterilization, Strain
Recovery Temperature	110 °C



Product Availability

Applicable Region	Global
-------------------	--------

Packaging Features

Packaging Method	Cut Piece, Spool, Stick
------------------	-------------------------

Other

Product Source	US
----------------	----

Product Compliance

[For compliance documentation, visit the product page on TE.com>](#)

EU RoHS Directive 2011/65/EU	Compliant
EU ELV Directive 2000/53/EC	Compliant
China RoHS 2 Directive MIIT Order No 32, 2016	No Restricted Materials Above Threshold
EU REACH Regulation (EC) No. 1907/2006	Current ECHA Candidate List: JUN 2020 (209) Candidate List Declared Against: JUN 2020 (209) Does not contain REACH SVHC
Halogen Content	Low Halogen - Br, Cl, F, I < 900 ppm per homogenous material. Also BFR/CFR/PVC Free
Solder Process Capability	Not applicable for solder process capability

Product Compliance Disclaimer

This information is provided based on reasonable inquiry of our suppliers and represents our current actual knowledge based on the information they provided. This information is subject to change. The part numbers that TE has identified as EU RoHS compliant have a maximum concentration of 0.1% by weight in homogenous materials for lead, hexavalent chromium, mercury, PBB, PBDE, DBP, BBP, DEHP, DIBP, and 0.01% for cadmium, or qualify for an exemption to these limits as defined in the Annexes of Directive 2011/65/EU (RoHS2). Finished electrical and electronic equipment products will be CE marked as required by Directive 2011/65/EU. Components may not be CE marked. Additionally, the part numbers that TE has identified as EU ELV compliant have a maximum concentration of 0.1% by weight in homogenous materials for lead, hexavalent chromium, and mercury, and 0.01% for cadmium, or qualify for an exemption to these limits as defined in the Annexes of Directive 2000/53/EC (ELV). Regarding the REACH Regulation, the information TE provides on SVHC in articles for this part number is based on the latest European Chemicals Agency (ECHA) 'Guidance on requirements for substances in articles' posted at this URL: <https://echa.europa.eu/guidance-documents/guidance-on-reach>

Customers Also Bought



TE Part #1825139-4
A203P3ZQ04



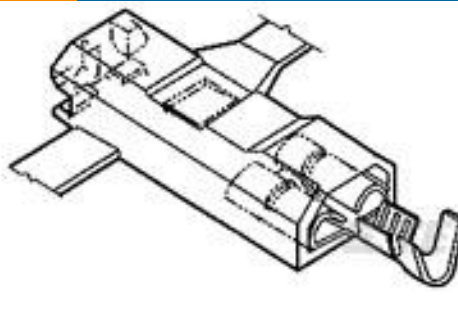
TE Part #7-146256-0
40 MODII HDR DRST B/A .100CL L



TE Part #7-534206-0
40 MODII VRT DR CE 100/115



TE Part #2-2176331-5
CRGP 2512 1K0 1%



TE Part #521547-1
ULTRA-POD 250 ASSY REC 18-14
AWG BR

TE Part #CP5068-000
MT-LWA-1/16-X-SP



TE Part #42214-1
FASTON .250 SERIES (6.3 MM) TAB BR

TE Part #CP5069-000
MT-LWA-3/32-X-SP

TE Part #CM9838-000
MT6000-3/8-X-SP

TE Part #CP4176-000
MT6000-1/4-0-SP

X-ON Electronics

Largest Supplier of Electrical and Electronic Components

Click to view similar products for [Heat Shrink Tubing and Sleeves](#) category:

Click to view products by [TE Connectivity](#) manufacturer:

Other Similar products are found below :

[770-006S102](#) [5685710001](#) [CR8248-000](#) [CR9960-000](#) [603312-4](#) [607381P039](#) [611112-000](#) [617867N001](#) [6500750004](#) [CZ1420-000](#) [D-306-38](#)
[770-007A303](#) [770-010Y106W1](#) [770-010Y706W1](#) [7771210001](#) [MFP-1/4"-Clear](#) [MFP-3/64"-Clear](#) [790-3012](#) [MHHT-4-15K2-G-104](#) [MIL-](#)
[LT-1-1/2-4-SP](#) [MIL-LT-1-1/2-9-STK](#) [MIL-LT-1/2-2-STK](#) [MIL-LT-3-0-SP](#) [MIL-LT-3/32-0-SP](#) [MIL-LT-3/32-6-SP](#) [MIL-LT-3/4-6-SP](#) [MIL-](#)
[LT-3/8-0-SP](#) [8159270001](#) [839602-000](#) [8423-6](#) [FP301-116-6"-Black](#) [FP301-1/2-48"-Black](#) [FP301-12-48"-Black-Hdr](#) [FP301-1/4-48"-Black](#)
[FP301-1/4-48"-White-Hdr](#) [FP301-1-6"-Clear](#) [FP301-18-48"-Black-Hdr](#) [FP301-1/8-6"-Black](#) [FP301-18-6"-Black-Bulk](#) [FP301-316-48"-Blue-](#)
[Hdr](#) [FP301-316-6"-Clear](#) [FP301-332-6"-Black](#) [912229N002](#) [120-126-16BL](#) [121-001-09](#) [121-018-32](#) [121-018-40](#) [121-123-1-1-32BTC](#) [121-](#)
[123-1-1-40BTC](#) [121-127-09BK](#)