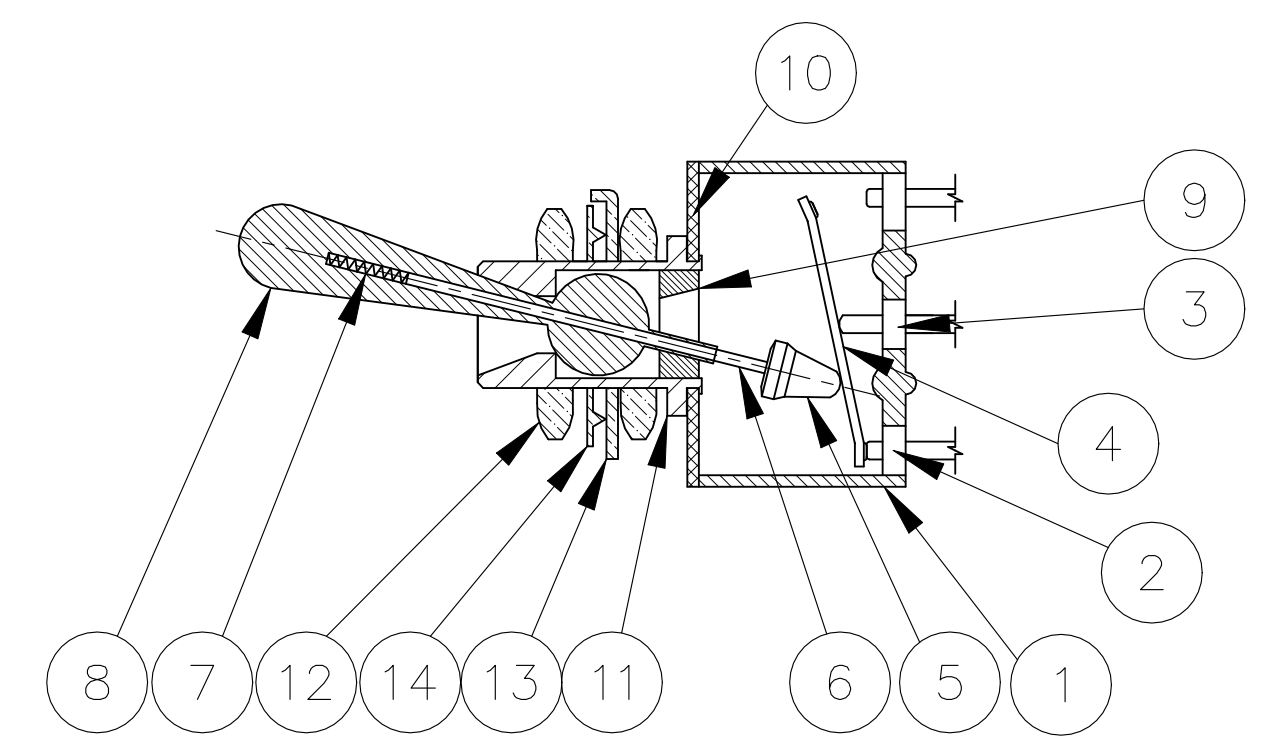


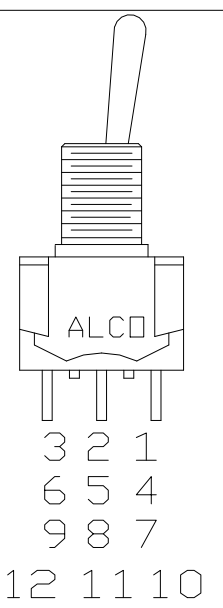
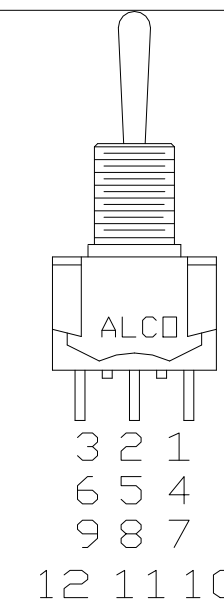
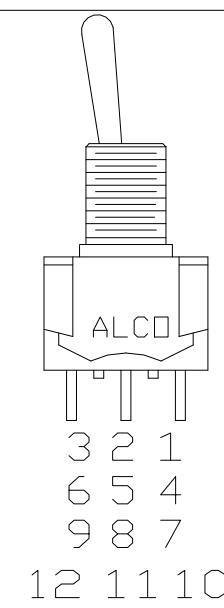
| REVISIONS | | | | |
|-----------|-------------|---------------|-----------|--------|
| P | LTR | DESCRIPTION | DATE | APPROV |
| E5 | REVISED PER | ECO-21-006541 | 11JUN2021 | RK AS |

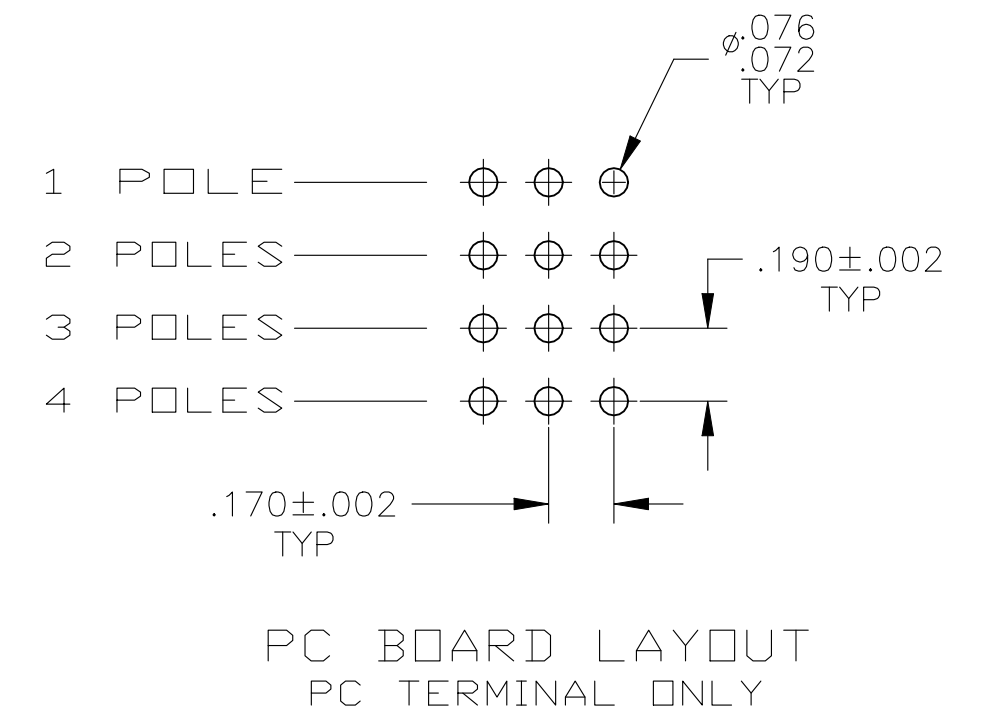
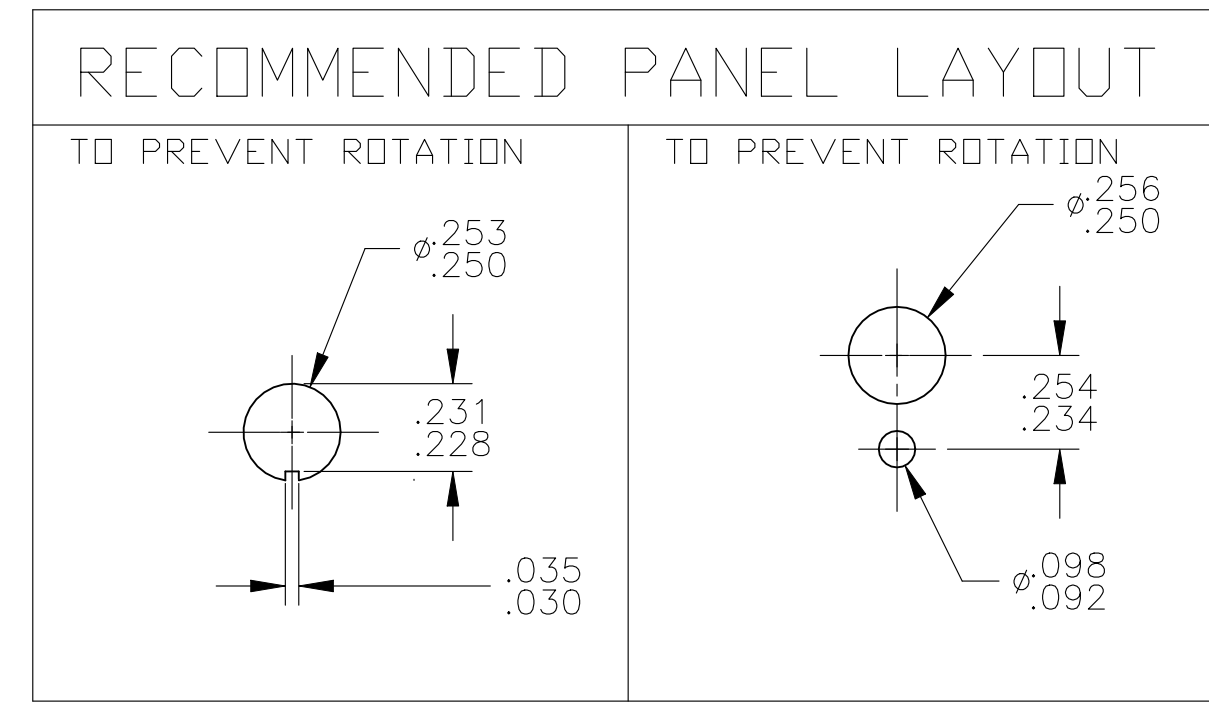
| Materials | | | |
|-----------|---------------------------|------------------------------|---|
| No. | Component name | Base material | Finish |
| 1 | Housing | High temp, UL 94V-0, green | |
| 2 | End terminal | silver clad copper alloy | 5 microinches min. gold |
| 3 | Center terminal | copper alloy | 5 microinches min. gold |
| 4 | Rocker contact | silver clad copper alloy | 5 microinches min. gold |
| 5 | Actuator | Phenol resin, UL94 HB, black | |
| 6 | Plunger | stainless steel | |
| 7 | Spring | music wire | |
| 8 | Toggle | brass | chrome or nickel |
| 9 | Retainer | Polyamide, UL94 HB, black | |
| 10 | Frame | cold rolled steel | zinc or nickel |
| 11 | Bushing | brass | 100 microinches min. nickel over 10 microinches min. copper |
| 12 | Mounting nuts (2) | brass | 200 microinches min. bright nickel |
| 13 | Locating ring | cold rolled steel | zinc or nickel |
| 14 | Internal tooth lockwasher | steel | zinc or nickel |



NOT TO SCALE

| Specifications-see note 3 | | | | |
|------------------------------------|--------------------------------|-------------------|-------------------|------------------|
| Current rating UL & CSA | 6A @ 125 VAC (resistive) | | | |
| | 3A @ 250 VAC (resistive) | | | |
| | 4A @ 28 VDC (resistive) | | | |
| Termination resistance | 20 milliohms max @ 2-4 VDC, 1A | | | |
| Insulation resistance | 1,000 megohms min. | | | |
| Withstanding voltage | 1,000 VAC | | | |
| Travel | 24 +/-6 degrees | | | |
| Actuation force | .05 to 1.5 kgf | | | |
| Operating temperature | -20C to +85C | | | |
| Storage temperature | -40C to +85C | | | |
| Contact timing | break before make | | | |
| Terminal seal | epoxy or insert molded | | | |
| Durability | Parameter | 2 Position | 3 Position | Momentary |
| | mechanical (no load) | 150,000 | 100,000 | 80,000 |
| | 250 VAC (3A resistive) | 80,000 | 60,000 | 60,000 |
| | 125 VAC (6A resistive) | 80,000 | 60,000 | 60,000 |
| | 28 VDC (4A resistive) | 60,000 | 50,000 | 40,000 |

| Part Number | Alco Model | Poles | Throws | Function | Terminal |  |  |  | Comments |
|-------------|------------|-------|--------|---------------|----------|---|---|---|----------|
| 4-1437558-8 | MTA406PPC | 4 | 2 | ON OFF ON | PC | 2-3, 5-6, 8-9, 11-12 | Off | 2-1, 5-4, 8-7, 11-10 | |
| 4-1437558-7 | MTA406PAPC | 2 | 3 | ON ON ON | PC | 5-6, 11-12 | 5-3, 11-9 | 5-1, 11-7 | note 7 |
| 4-1437558-6 | MTA406PA | 2 | 3 | ON ON ON | Wire lug | 5-6, 11-12 | 5-3, 11-9 | 5-1, 11-7 | note 7 |
| 4-1437558-5 | MTA406P | 4 | 2 | ON OFF ON | Wire lug | 2-3, 5-6, 8-9, 11-12 | Off | 2-1, 5-4, 8-7, 11-10 | |
| 4-1437558-4 | MTA406NPC | 4 | 2 | ON ON | PC | 2-3, 5-6, 8-9, 11-12 | --- | 2-1, 5-4, 8-7, 11-10 | |
| 4-1437558-3 | MTA406N | 4 | 2 | ON ON | Wire lug | 2-3, 5-6, 8-9, 11-12 | --- | 2-1, 5-4, 8-7, 11-10 | |
| 4-1437558-2 | MTA306HPC | 3 | 2 | ON OFF(ON) | PC | 2-3, 5-6, 8-9 | Off | 2-1, 5-4, 8-7 | |
| 4-1437558-1 | MTA306H | 3 | 2 | ON OFF(ON) | Wire lug | 2-3, 5-6, 8-9 | Off | 2-1, 5-4, 8-7 | |
| 4-1437558-0 | MTA306FPC | 3 | 2 | ON (ON) | PC | 2-3, 5-6, 8-9 | --- | 2-1, 5-4, 8-7 | |
| 3-1437558-9 | MTA306F | 3 | 2 | ON (ON) | Wire lug | 2-3, 5-6, 8-9 | --- | 2-1, 5-4, 8-7 | |
| 3-1437558-8 | MTA306EPC | 3 | 2 | ON OFF ON | PC | 2-3, 5-6, 8-9 | Off | 2-1, 5-4, 8-7 | |
| 3-1437558-7 | MTA306E | 3 | 2 | ON OFF ON | Wire lug | 2-3, 5-6, 8-9 | Off | 2-1, 5-4, 8-7 | |
| 3-1437558-6 | MTA306DPC | 3 | 2 | ON ON | PC | 2-3, 5-6, 8-9 | --- | 2-1, 5-4, 8-7 | |
| 3-1437558-5 | MTA306D | 3 | 2 | ON ON | Wire lug | 2-3, 5-6, 8-9 | --- | 2-1, 5-4, 8-7 | |
| 3-1437558-4 | MTA206TPC | 2 | 2 | ON OFF(ON) | PC | 2-3, 5-6 | OFF | 2-1, 5-4 | |
| 3-1437558-3 | MTA206TA | 1 | 3 | ON ON (ON) | Wire lug | 5-6 | 5-3 | 5-1 | note 6 |
| 3-1437558-2 | MTA206T | 2 | 2 | ON OFF(ON) | Wire lug | 2-3, 5-6 | OFF | 2-1, 5-4 | |
| 3-1437558-1 | MTA206SPC | 2 | 2 | (ON) OFF (ON) | PC | 2-3, 5-6 | OFF | 2-1, 5-4 | |
| 3-1437558-0 | MTA206SA | 1 | 3 | (ON) ON (ON) | Wire lug | 5-6 | 5-3 | 5-1 | note 6 |
| 2-1437558-9 | MTA206S | 2 | 2 | (ON) OFF (ON) | Wire lug | 2-3, 5-6 | OFF | 2-1, 5-4 | |
| 2-1437558-8 | MTA206RPC | 2 | 2 | ON (ON) | PC | 2-3, 5-6 | --- | 2-1, 5-4 | |
| 2-1437558-7 | MTA206R | 2 | 2 | ON (ON) | Wire lug | 2-3, 5-6 | --- | 2-1, 5-4 | |
| 2-1437558-5 | MTA206PPC | 2 | 2 | ON OFF ON | PC | 2-3, 5-6 | OFF | 2-1, 5-4 | |
| 2-1437558-4 | MTA206PAPC | 1 | 3 | ON ON ON | PC | 5-6 | 5-3 | 5-1 | note 6 |
| 2-1437558-3 | MTA206PA | 1 | 3 | ON ON ON | Wire lug | 5-6 | 5-3 | 5-1 | note 6 |
| 2-1437558-2 | MTA206P | 2 | 2 | ON OFF ON | Wire lug | 2-3, 5-6 | OFF | 2-1, 5-4 | |
| 2-1437558-1 | MTA206NPC | 2 | 2 | ON ON | PC | 2-3, 5-6 | --- | 2-1, 5-4 | |
| 2-1437558-0 | MTA206N | 2 | 2 | ON ON | Wire lug | 2-3, 5-6 | --- | 2-1, 5-4 | |
| 1-1437558-9 | MTA106HPC | 1 | 2 | ON OFF(ON) | PC | 2-3 | OFF | 2-1 | |
| 1-1437558-8 | MTA106H | 1 | 2 | ON OFF(ON) | Wire lug | 2-3 | OFF | 2-1 | |
| 1-1437558-7 | MTA106GPC | 1 | 2 | (ON) OFF (ON) | PC | 2-3 | OFF | 2-1 | |
| 1-1437558-6 | MTA106G | 1 | 2 | (ON) OFF (ON) | Wire lug | 2-3 | OFF | 2-1 | |
| 1-1437558-5 | MTA106FPC | 1 | 2 | ON (ON) | PC | 2-3 | --- | 2-1 | |
| 1-1437558-4 | MTA106F | 1 | 2 | ON (ON) | Wire lug | 2-3 | --- | 2-1 | |
| 1-1437558-3 | MTA106EPC | 1 | 2 | ON OFF ON | PC | 2-3 | Off | 2-1 | |
| 1-1437558-2 | MTA106E | 1 | 2 | ON OFF ON | Wire lug | 2-3 | Off | 2-1 | |
| 1-1437558-1 | MTA106DPC | 1 | 2 | ON ON | PC | 2-3 | --- | 2-1 | |
| 1571616-1 | MTA106DUL | 1 | 2 | ON ON | Wire lug | 2-3 | --- | 2-1 | |
| 1-1437558-0 | MTA106D | 1 | 2 | ON ON | Wire lug | 2-3 | --- | 2-1 | |



- NOTES:
1. TERMINAL NUMBERS ARE FOR REFERENCE ONLY AND DO NOT APPEAR ON THE SWITCHES.
 2. EACH SWITCH SUPPLIED WITH THE FOLLOWING MOUNTING HARDWARE:
 - (2) 1/4-40 UNS-2B HEX NUTS
 - (1) INTERNAL TOOTH LOCKWASHER
 - (1) LOCATING RING

5. WIRE LUG CONTACTS WILL ACCEPT 2 #20 AWG SOLID OR STRANDED WIRES.
6. CUSTOMER INSTALLED EXTERNAL JUMPER BETWEEN TERMINALS 2 AND 4 REQUIRED FOR 1 POLE 3 THROW FUNCTION.
7. CUSTOMER INSTALLED EXTERNAL JUMPERS BETWEEN TERMINALS 2 AND 4 AS WELL AS 8 AND 10 REQUIRED FOR 2 POLE 3 THROW FUNCTION.

- △ OBSOLETE
- 9. LASER MARKING USED FOR PARTS.

THIS DRAWING IS A CONTROLLED DOCUMENT.

| | | | | | | | |
|--------------------|--|---------------|---------------|---------------|---------------|---------------|--------------|
| DIMENSIONS: INCHES | TOLERANCES UNLESS OTHERWISE SPECIFIED: | 0. PLC ± .005 | 1. PLC ± .005 | 2. PLC ± .005 | 3. PLC ± .005 | 4. PLC ± .005 | ANGLES ± .5° |
|--------------------|--|---------------|---------------|---------------|---------------|---------------|--------------|

MATERIAL: - FINISH: -

APPROVED: M. ZITTO

DATE: 29DEC03

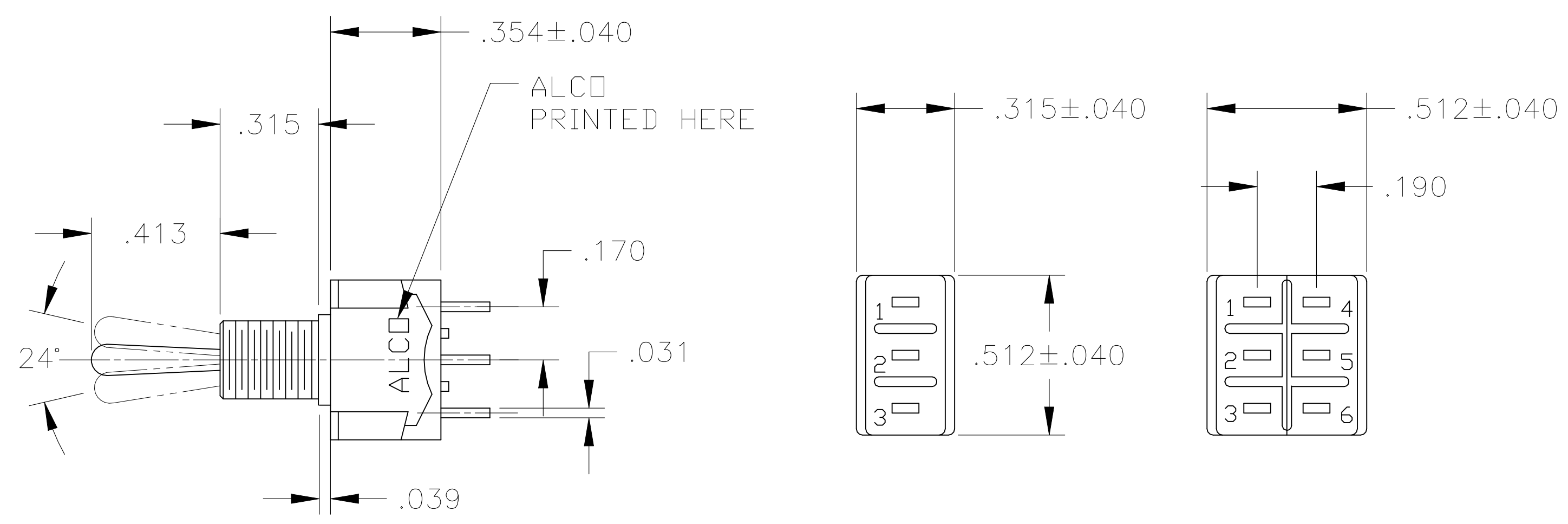
NAME: TOGGLE SWITCH, MTA SERIES VERTICAL MOUNT

SIZE: A1 CAGE CODE: 00779 DRAWING NO: 1-1437558-0

RESTRICTED TO: -

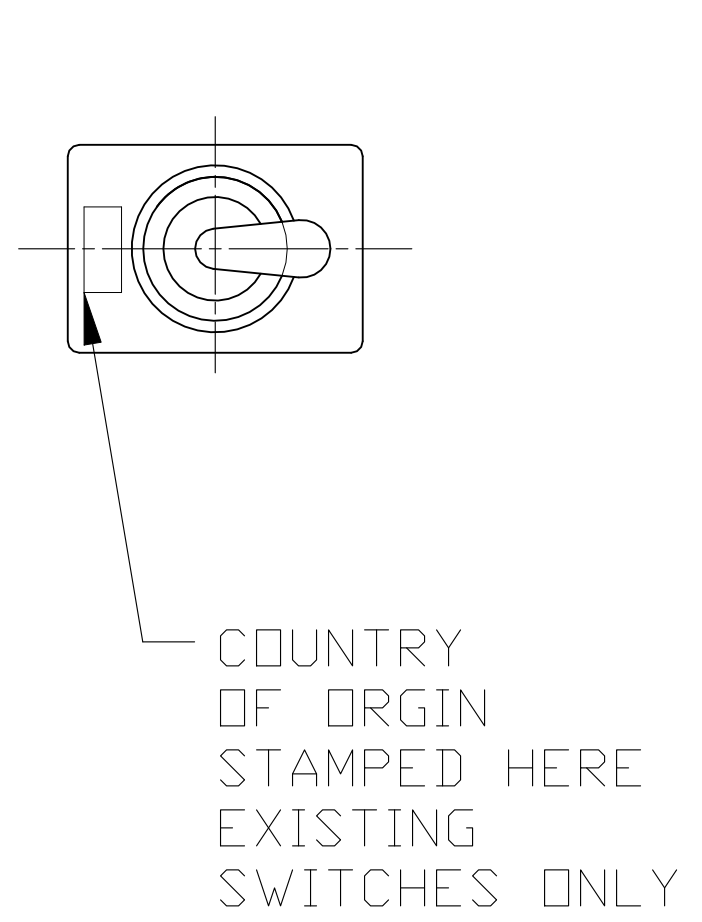
CUSTOMER DRAWING SCALE: 2:1 SHEET: 1 OF 3 REV: E5

| REVISIONS | | | | | |
|-----------|-----|-------------|------|-----|------|
| P | LTR | DESCRIPTION | DATE | DRN | APVD |
| - | - | SEE SHEET 1 | - | - | - |

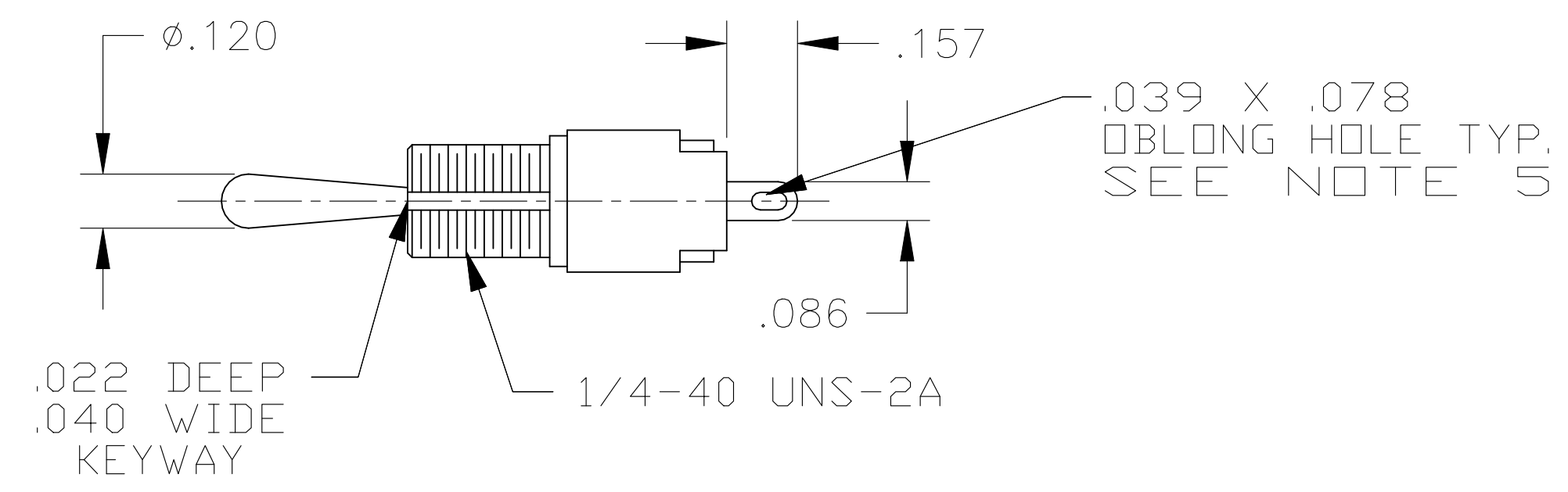


MTA-106

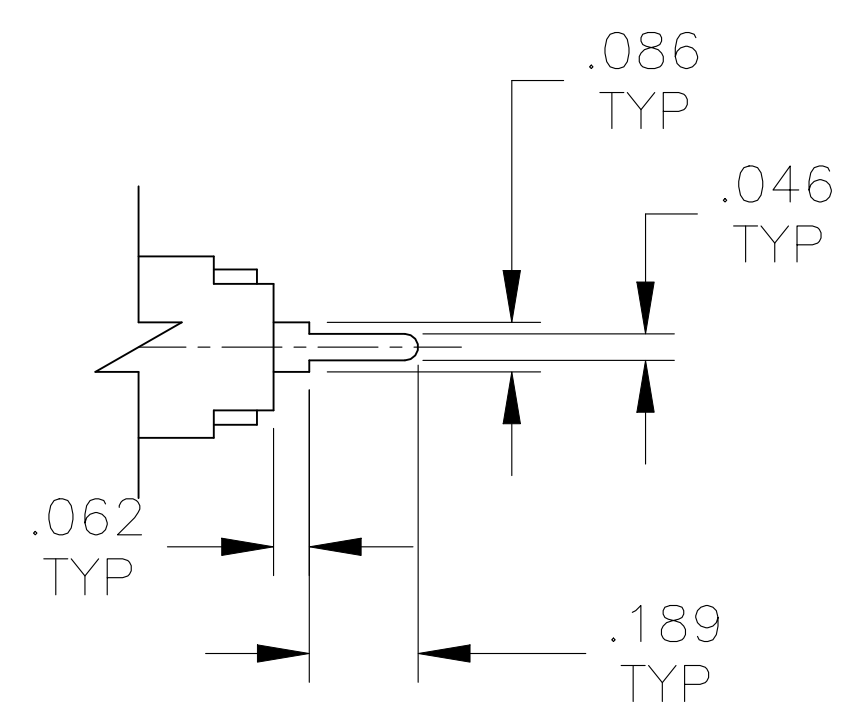
MTA-206



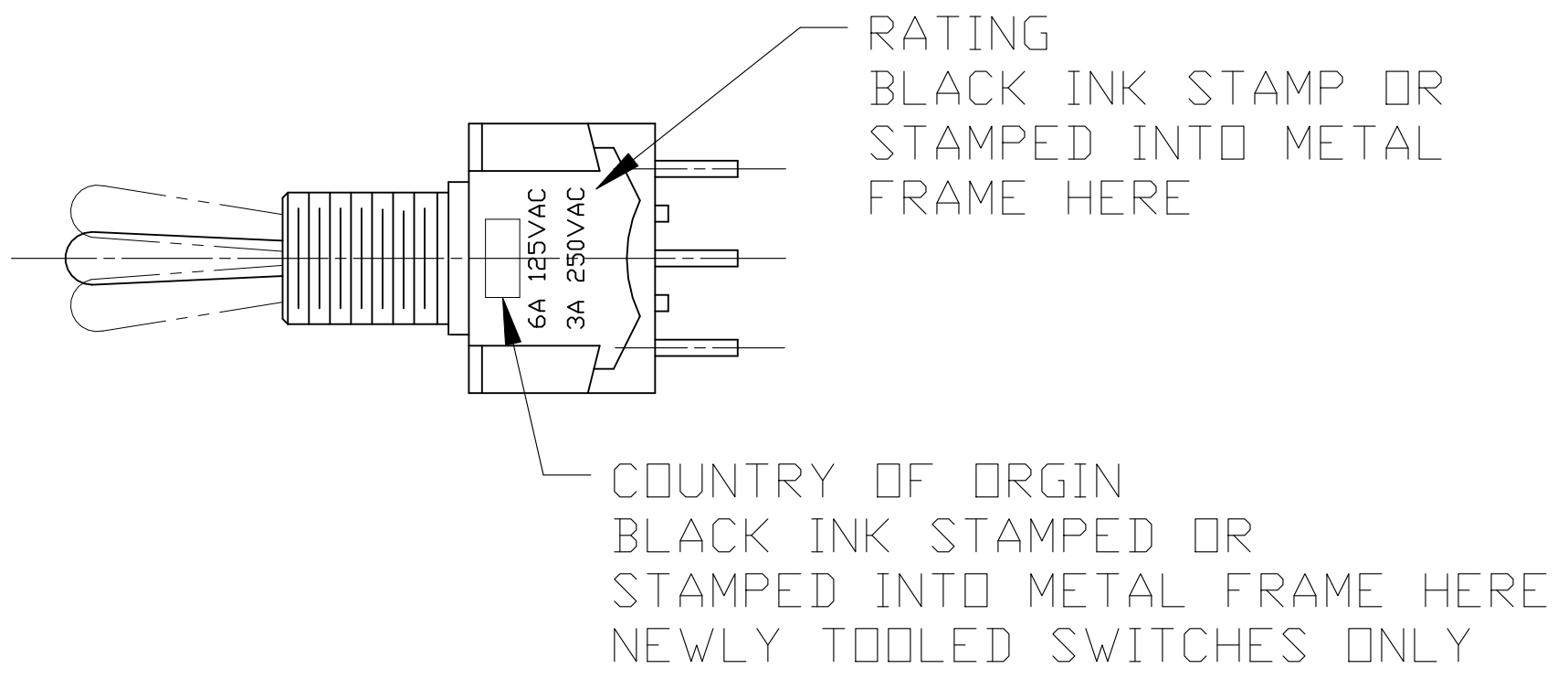
COUNTRY OF ORIGIN STAMPED HERE EXISTING SWITCHES ONLY



WIRE LUG TERMINAL



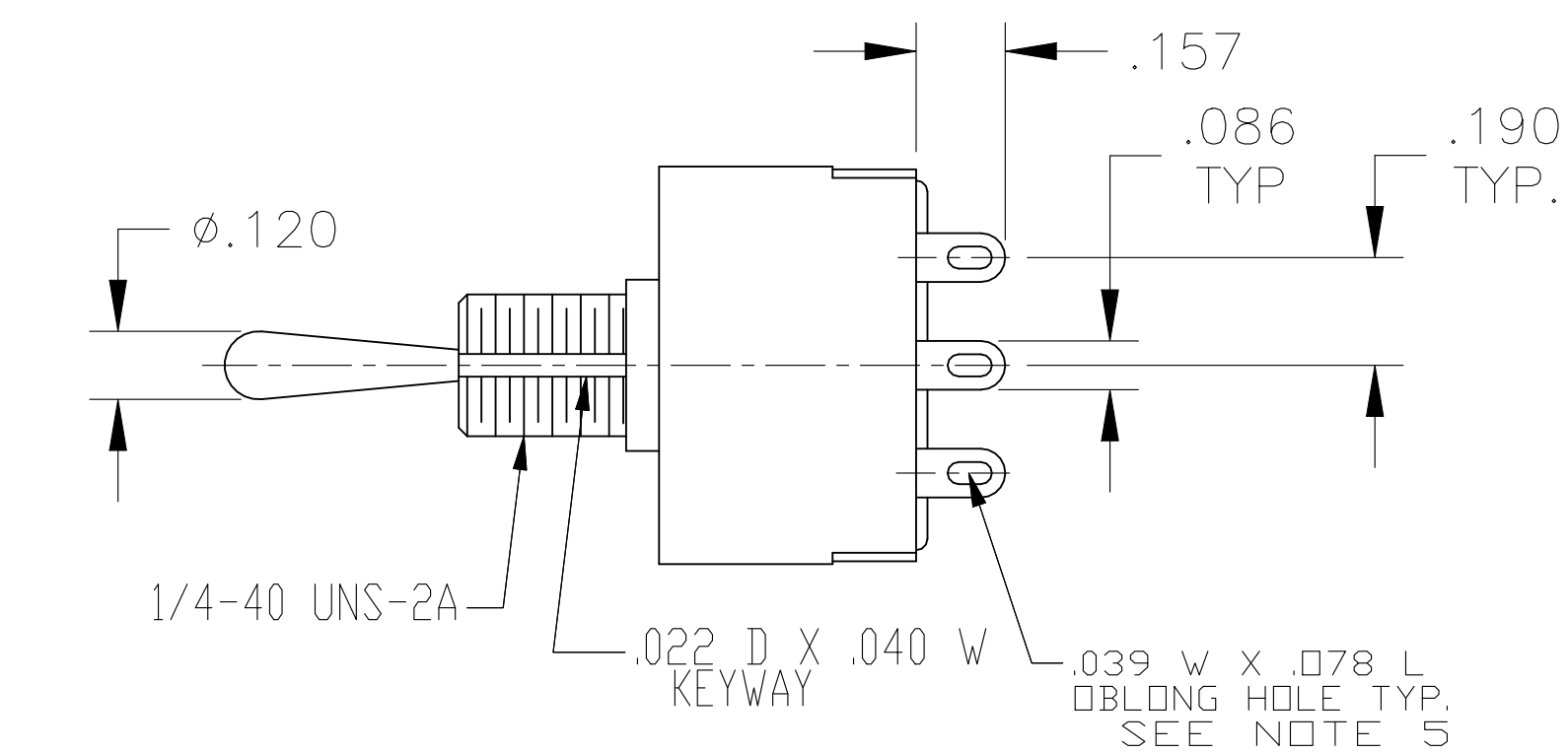
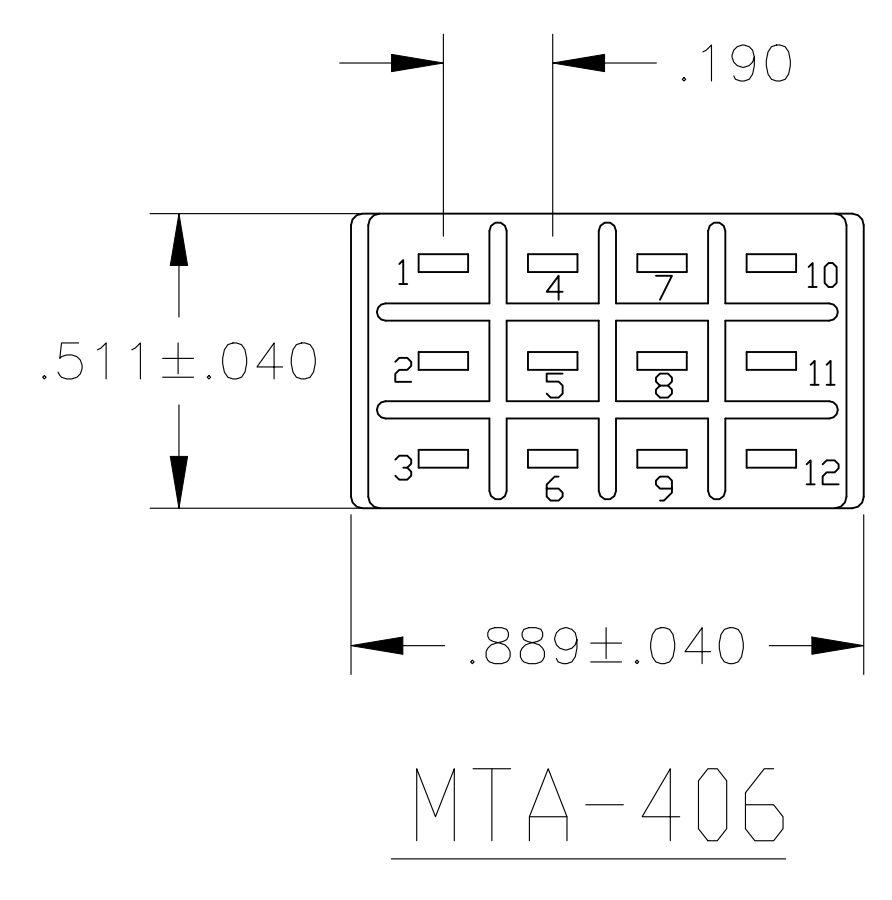
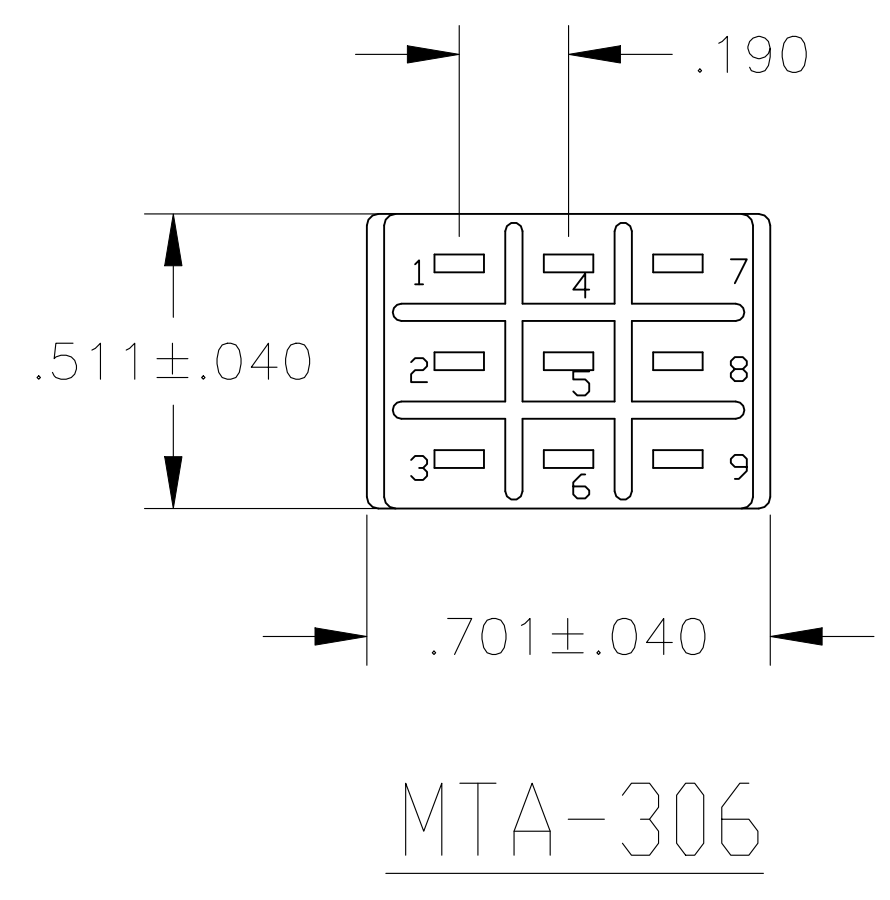
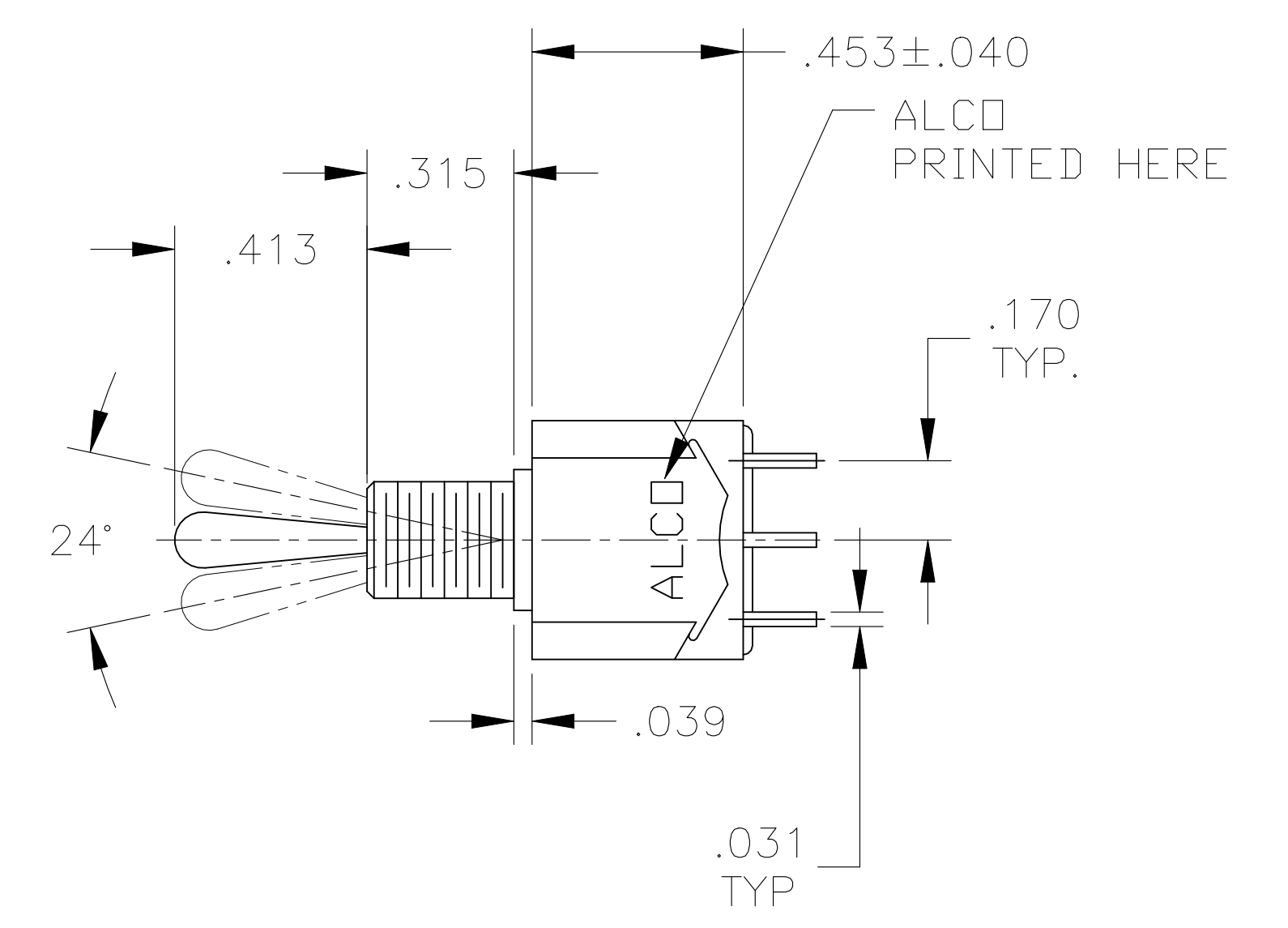
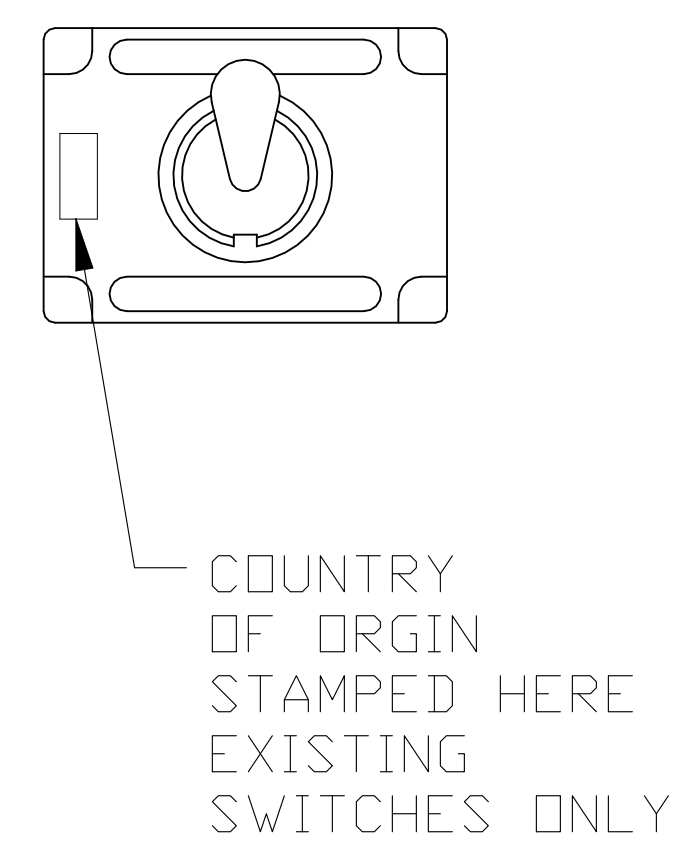
PC TERMINAL



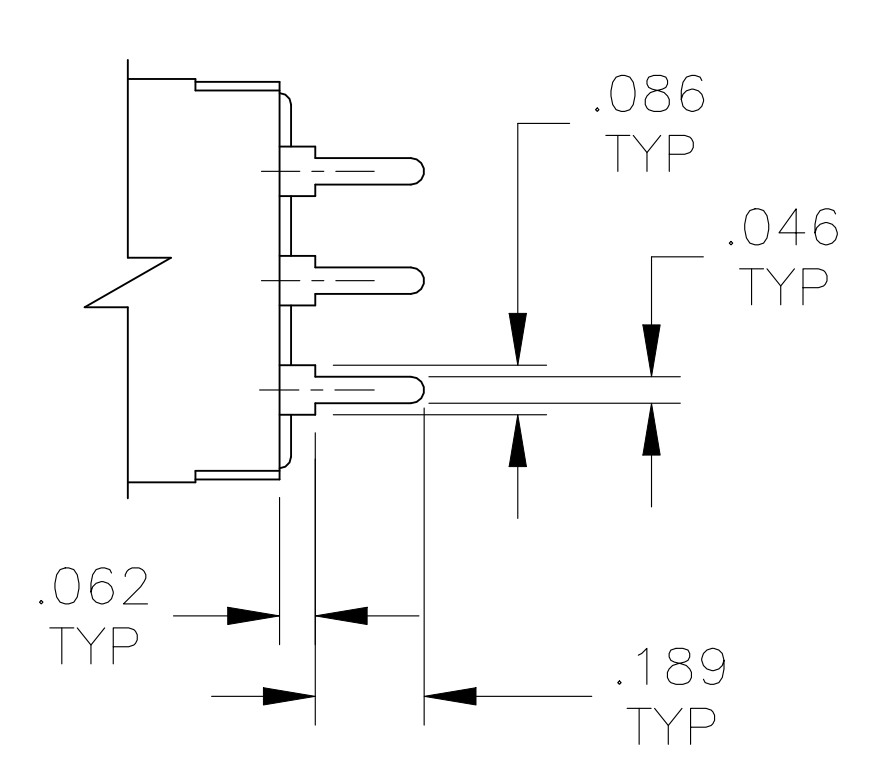
COUNTRY OF ORIGIN BLACK INK STAMPED OR STAMPED INTO METAL FRAME HERE NEWLY TOOLED SWITCHES ONLY

| | | | |
|--|--------|-----------------------------|--|
| THIS DRAWING IS A CONTROLLED DOCUMENT. | | DIN M. BINNER 29DEC03 | TE Connectivity Ltd. |
| DIMENSIONS: INCHES | | CHK M. ZITTO 29DEC03 | |
| TOLERANCES UNLESS OTHERWISE SPECIFIED: | | APVD M. ZITTO 29DEC03 | NAME TOGGLE SWITCH, MTA SERIES VERTICAL MOUNT |
| 0. PLC | ± .005 | PRODUCT SPEC | APPLICATION SPEC |
| 1. PLC | ± .005 | SIZE | A1 |
| 2. PLC | ± .005 | CAGE CODE | 00779 |
| 3. PLC | ± .005 | DRAWING NO | 1-1437558-0 |
| 4. PLC | ± .005 | WEIGHT | - |
| ANGLES | ± .005 | CUSTOMER DRAWING | SCALE 1:1 SHEET 2 OF 3 REV E5 |

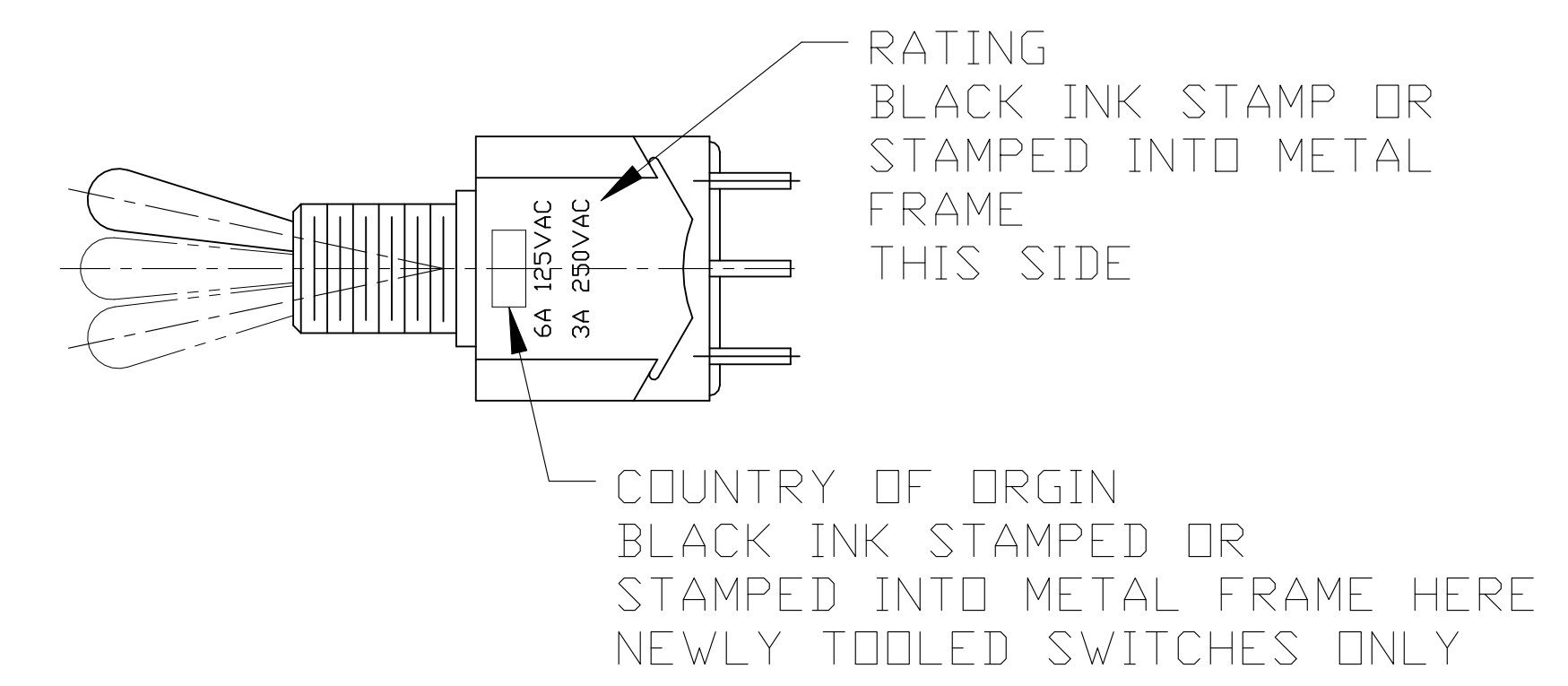
| REVISIONS | | | | |
|-----------|-----|-------------|------|------|
| P | LTR | DESCRIPTION | DATE | APPV |
| - | - | SEE SHEET 1 | - | - |



WIRE LUG TERMINAL



PC TERMINAL



| | | | |
|--|---------------|-----------------------------|--|
| THIS DRAWING IS A CONTROLLED DOCUMENT. | | DIN M. BINNER 29DEC03 | TE Connectivity Ltd. |
| DIMENSIONS: INCHES | | CHK M. ZITTO 29DEC03 | |
| TOLERANCES UNLESS OTHERWISE SPECIFIED: | | APPD M. ZITTO 29DEC03 | NAME TOGGLE SWITCH, MTA SERIES VERTICAL MOUNT |
| 0. PLC ± - | 1. PLC ± - | PRODUCT SPEC | APPLICATION SPEC |
| 2. PLC ± - | 3. PLC ± .005 | SIZE | CAGE CODE |
| 4. PLC ± - | ANGLES ± - | WEIGHT | DRAWING NO. |
| MATERIAL | FINISH | A1 00779 | 1-1437558-0 |
| CUSTOMER DRAWING | | SCALE 1:1 | SHEET 3 OF 3 REV E5 |

X-ON Electronics

Largest Supplier of Electrical and Electronic Components

Click to view similar products for [Toggle Switches](#) category:

Click to view products by [TE Connectivity](#) manufacturer:

Other Similar products are found below :

[8928K478](#) [8A1-C-222](#) [020017-13](#) [60012L](#) [6006L](#) [CS115W](#) [CS120W](#) [6663](#) [7101SPDV30BE](#) [7103SDV30BE](#) [7105D](#) [7108P3YAV2BE](#)
[71YY50282](#) [7300K36](#) [7301K38](#) [7306K36](#) [7310K36](#) [7506K4](#) [7592K6](#) [7660K12](#) [7691K14](#) [7700K1](#) [8391K108](#) [8396K108](#) [8811K17](#)
[8824K14](#) [8828K13](#) [8835K3](#) [8858K44](#) [PS83-121G](#) [1-1825192-0](#) [A201SCWZB04](#) [A207SYCB04](#) [A208J61ZQ0004](#) [A221T1TCQ](#)
[A323S1CWZQ](#) [A423S1CWZG-M8](#) [1201W](#) [12156AX408](#) [12147AGKX679](#) [12246X778](#) [12TW49-3D](#) [130312](#) [13037L](#) [13001X](#)
[AE101MD1W4B04](#) [AE208SD1W4B04](#) [MS24659-22D](#) [MS27407-5](#) [1520230-9](#)