

NOTES:

△ PART NUMBER VARIABLES: NOT ALL POSSIBLE CONFIGURATIONS SHOWN ON THIS DRAWING ARE AVAILABLE AS STANDARD PRODUCTS. PLEASE CHECK WITH RAYCHEM TO CONFIRM AVAILABILITY.

THIS FIELD OF NUMBERS IS REPLACED BY 3 DIGITS (-001 / -999) FOR SPECIALS

MTC100-BXX-SXX-XXX

MODIFICATIONS: REFER TO APPLICABLE MOD DESCRIPTION SHEET. "BLANK WHEN NOT APPLICABLE"

- POST CONFIGURATIONS
- 1 = LONG POST
 - 2 = SHORT POST
 - 3 = POST BENT 90° "B" DIRECTION
- FINISH
- 2 = NICKEL PLATED
 - 3 = CADMIUM OVER NICKEL PLATED
- SIZE
- 1 = 1 INCH
 - 2 = 2 INCH

- STYLE
- C = FLANGED WITH CONDUCTIVE PANEL GASKET AND EXTERNAL MOUNTING HARDWARE
 - D = FLANGED WITH FLUOROSILICONE PANEL GASKET AND EXTERNAL MOUNTING HARDWARE
 - F = FLANGED WITH FLUOROSILICONE PANEL GASKET
 - S = FLANGED WITH CONDUCTIVE PANEL GASKET
 - Y = SPECIAL (REFER TO INDIVIDUAL SPECIFICATION CONTROL DRAWINGS FOR DESCRIPTIONS)

2. A SOCKET BOXMOUNT RECEPTACLE MATES WITH A MTC PLUG CONTAINING PIN INSERTS. REFER TO APPLICABLE RAYCHEM SPECIFICATION CONTROL DRAWINGS FOR DETAILS.

△ FOR KEYING INFORMATION, SEE RAYCHEM DRAWING D-659-0080.

△ THESE ITEMS ARE SUPPLIED UNASSEMBLED.

△ DIMENSION SHOWN IS WITH MATED PLUG CONNECTOR:
a. WITH CABLE CLAMP
b. WITHOUT CABLE CLAMP AND WITHOUT EARS

△ THIS BOXMOUNT RECEPTACLE IS REAR PANEL MOUNTED AS SHOWN BY REMOVING AS MANY PANEL WASHERS AS REQUIRED TO ACCOMMODATE THE THICKNESS OF THE PANEL BEING USED. REFER TO SHEET 3, FIGURE 4 AND TABLE 2.

△ WIRE WRAPPABLE TERMINATION POST DESIGNED TO MIL-STD-1130.

△ KIT NUMBER CHA-0046-XXX IS AVAILABLE FOR MOUNTING A CONNECTOR TO A PRINTED CIRCUIT BOARD. SEE SHEET 3, FIGURE 3 FOR THE HOLE PATTERN RECOMMENDATION.

△ SEE SHEET 3, TABLE 3 FOR WEIGHTS. WEIGHTS SHOWN ARE WITHOUT DUST CAP AND WITHOUT TERMINATION POST PROTECTOR.

△ SEE SHEET 2 FIGURES FOR CONFIGURATION VARIATIONS.

△ TORQUE MOUNTING HARDWARE TO: 14-16 IN-LBS

1" STANDARD INSERT ASSEMBLY SHOWN

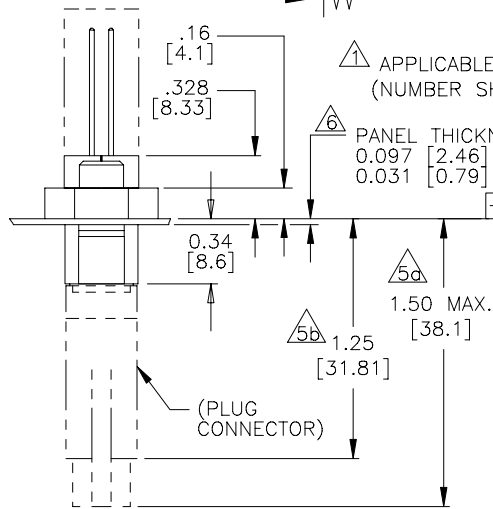
POST PROTECTOR (REMOVE PRIOR TO TERMINATION)

1" INSERT CONTACT IDENTIFICATION SHOWN

MOUNTING PANEL

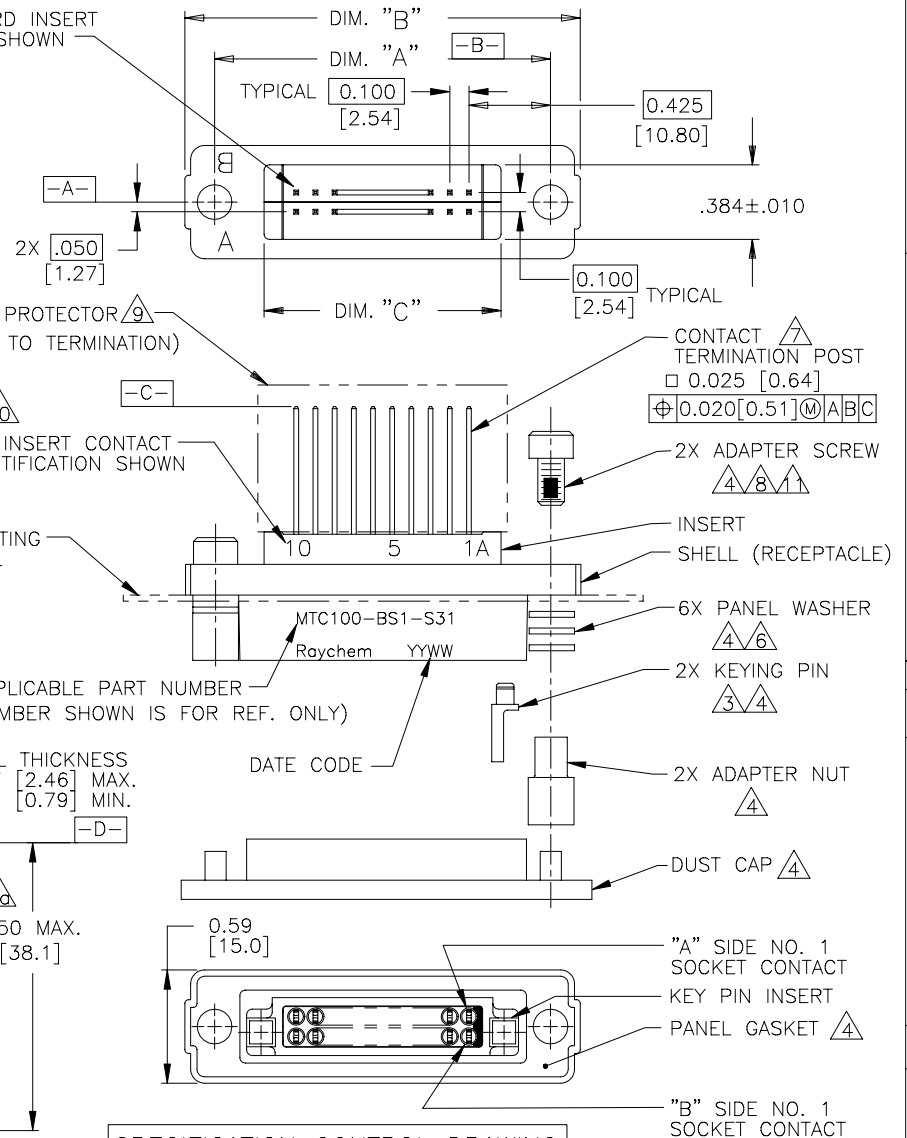
APPLICABLE PART NUMBER (NUMBER SHOWN IS FOR REF. ONLY)

PANEL THICKNESS
0.097 [2.46] MAX.
0.031 [0.79] MIN.



VIEW W-W

REVISIONS			
LTR	DESCRIPTION	DATE	APPROVED
G	REVISED PER ECN T-17996	01/08/93	R.LOVADO
H	REDRAWN ON CAD PER ECN T-22751	04/29/99	J.VALENTA



SPECIFICATION CONTROL DRAWING

THIS DRAWING AND THE INFORMATION SET FORTH HEREON ARE THE PROPERTY OF RAYCHEM CORPORATION. PUBLICATION, DUPLICATION, DISCLOSURE OR USE FOR ANY PURPOSE OTHER THAN THE CUSTOMER'S DIRECT NEEDS FOR THE APPLICATION CONCERNED, ARE PROHIBITED. RAYCHEM RESERVES THE RIGHT TO AMEND THE DRAWING AT ANY TIME. RAYCHEM'S OBLIGATIONS SHALL ONLY BE AS SET FORTH IN RAYCHEM'S TERMS AND CONDITIONS OF SALE OF THIS PRODUCT. USERS SHOULD INDEPENDENTLY EVALUATE THE SUITABILITY OF THIS PRODUCT FOR THEIR APPLICATION.

UNLESS OTHERWISE SPECIFIED DIMENSIONS ARE IN INCHES. METRIC DIMENSIONS ARE IN BRACKETS.

DECIMALS
.XXX ± .005 [0.13 mm]
.XX ± .02 [0.51 mm]

ANGLES
.X ±

WEIGHT

RE-DRAWN	J.VALENTA	04/20/98
CHECKED		
APPROVED	M.HIGGY	04/26/98
APPROVED		
CAD NAME	T22751a.DWG	
THIRD ANGLE PROJECTION		

<p>RAYCHEM CORPORATION 300 CONSTITUTION DRIVE MENLO PARK, CALIFORNIA 94025</p>			
<p>Raychem</p>			
<p>TITLE CONNECTOR, RECEPTACLE, FLANGED, BOXMOUNT, SOCKET, .025 SQ. TERMINATION POST, MTC100 SERIES</p>			
SIZE	CODE IDENT. NO.	DWG. NO.	REV
C	06090	MTC100-BXX-SXX-XXX	H
DO NOT SCALE THIS DRAWING			SHEET 1 OF 3

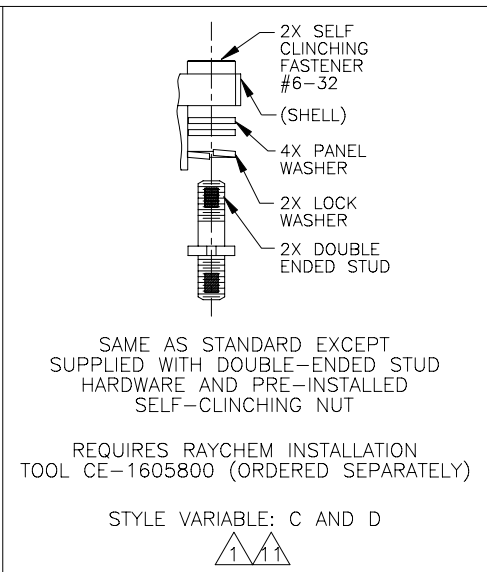
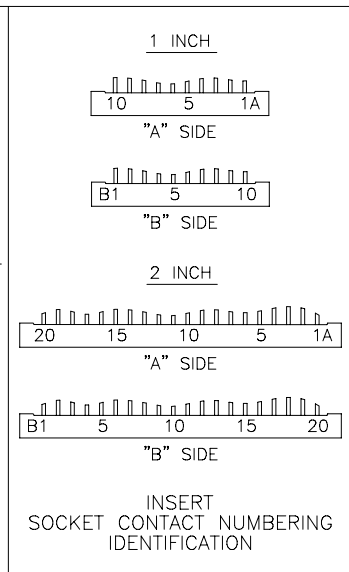
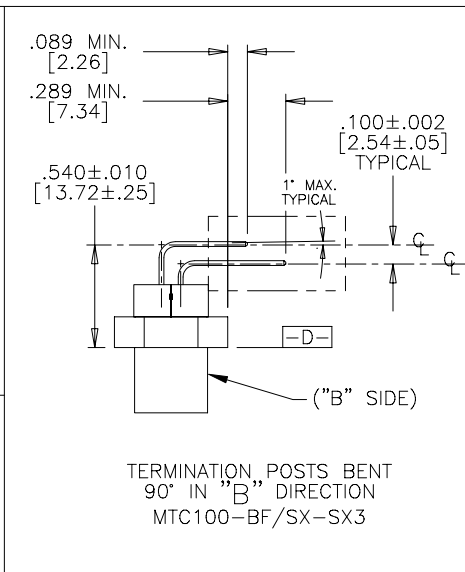
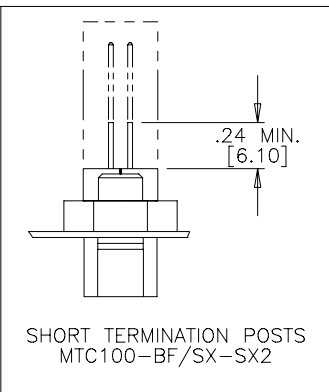
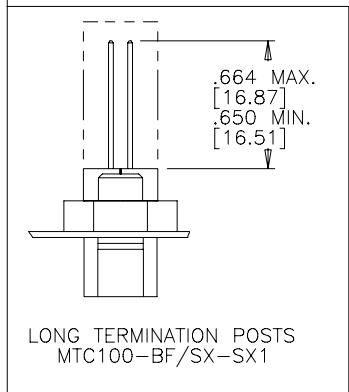
4

3

2

1

FIGURE 1
BASIC DESIGN VARIATIONS



SIZE C	CODE IDENT. NO. 06090	DWG. NO. MTC100-BXX-SXX-XXX	REV H
DO NOT SCALE THIS DRAWING		DWG. NAME T22751b.DWG	SHEET 2 OF 3

4

3

2

1

SHEET 2
MTC100-BXX-SXX-XXX

SPECIFICATIONS:

MATERIALS:

- | | |
|--|--|
| A. SHELL | ALUMINUM ALLOY PER QQ-A-591 |
| B. ADAPTER SCREW | STAINLESS STEEL PER QQ-S-763, 300 SERIES |
| C. ADAPTER NUT | STAINLESS STEEL PER QQ-S-763, 300 SERIES |
| D. STANDARD PANEL GASKET
EME PANEL GASKET | SILICONE ELASTOMER PER MIL-R-25988
CONDUCTIVE FLOROSILICONE |
| E. INSERT | HIGH GRADE THERMOPLASTIC DIELECTRIC |
| F. KEYING PIN | HIGH GRADE THERMOPLASTIC DIELECTRIC |
| G. SOCKET CONTACT | COPPER ALLOY 172 PER QQ-C-533 |
| H. PANEL WASHER | STAINLESS STEEL PER QQ-S-763, 300 SERIES |
| J. KEYING PIN INSERT | HIGH GRADE THERMOPLASTIC DIELECTRIC |

FINISH:

- | | APPLIES TO NICKEL
PLATED CONNECTORS
(STANDARD PLATING) | APPLIES TO CADMIUM
PLATED CONNECTORS |
|-------------------|---|---|
| A. SHELL | NICKEL PLATED PER MIL-C-26074
CLASS 3, GRADE B | CADMIUM PLATED PER QQ-P-416
OVER NICKEL UNDERPLATE |
| B. ADAPTER SCREW | PASSIVATED PER QQ-P-35 | CADMIUM PLATED PER QQ-P-416 |
| C. ADAPTER NUT | PASSIVATED PER QQ-P-35 | CADMIUM PLATED PER QQ-P-416 |
| D. PANEL WASHER | PASSIVATED PER QQ-P-35 | CADMIUM PLATED PER QQ-P-416 |
| E. SOCKET CONTACT | ENGAGING END - GOLD PLATED PER MIL-G-45204 TYPE 1, GRADE C, CLASS 1 | |

DESIGN AND CONSTRUCTION:

THE CONNECTORS SPECIFIED HEREIN ARE PANEL MOUNTED RECEPTACLES WITH FIXED (NON-REMOVABLE) SOCKET INSERTS AND CONTACTS. THE CONNECTOR IS WITHOUT PROVISIONS FOR CABLE CLAMPS OR TERMINATION SEALS.

PERFORMANCE:

THE APPLICABLE RAYCHEM SPECIFICATION FOR THIS PART IS C6111.
THIS PART IS NOT QUALIFIED TO C6111.

- HUMIDITY
- ALTITUDE IMMERSION
- ALTITUDE - LOW TEMPERATURE
- FLUID IMMERSION

THE CONNECTOR TERMINATION END
MUST BE SUITABLY PROTECTED
FOR TESTING OR APPLICATION IN
ANY OF THESE ENVIRONMENTS.

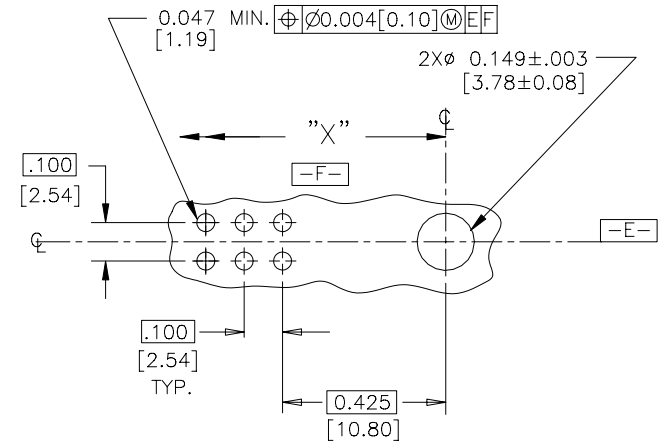


FIGURE 3
RECOMMENDED HOLE PATTERN AND SIZE
FOR PRINTED CIRCUIT BOARDS

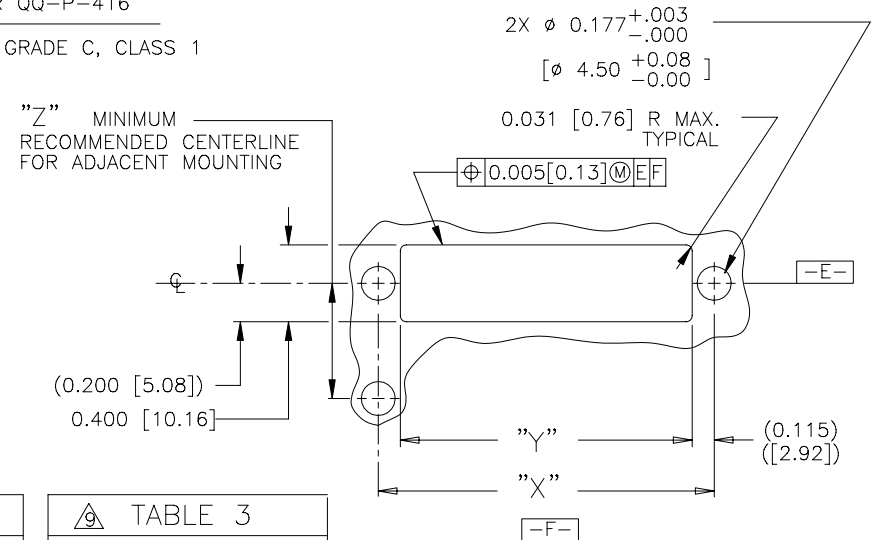


FIGURE 4
RECOMMENDED PANEL CUT-OUT

CONNECTOR SIZE	"A"	"B"	"C"	"X"	"Y"	"Z"
1 INCH	1.750 [44.45]	2.06 [52.3]	1.234 [31.34]	1.750 [44.45]	1.520 [38.61]	0.600 [15.24]
2 INCH	2.750 [69.85]	3.06 [77.7]	2.234 [56.74]	2.750 [69.85]	2.520 [64.00]	0.600 [15.24]

PANEL THICKNESS	NUMBER OF PANEL WASHERS FOR EACH FASTENER
0.031/0.036 [0.8]/[0.9]	2
0.062/0.067 [1.5]/[1.7]	1
0.93/0.097 [2.3]/[2.4]	0

WEIGHT lbs.[gr.] MAX.	
1 INCH CONNECTOR	.049 [22.33]
2 INCH CONNECTOR	.068 [30.82]

SIZE C	CODE IDENT. NO. 06090	DWG. NO. MTC100-BXX-SXX-XXX	REV H
DO NOT SCALE THIS DRAWING		DWG. NAME T22751c.DWG	SHEET 3 OF 3

X-ON Electronics

Largest Supplier of Electrical and Electronic Components

Click to view similar products for [Rack & Panel Connectors](#) category:

Click to view products by [TE Connectivity](#) manufacturer:

Other Similar products are found below :

[00170420102](#) [00171420202](#) [00171440002](#) [008026165000265](#) [00-8219-072-000-112P44](#) [008219072000112P5](#) [008219072000112P61](#) [00-8223-096-580-102](#) [02-014-013-5200-000](#) [00-8129-015-610-108](#) [613467-000](#) [CTJ112E01E-513](#) [CTJ116E03A-513](#) [CTJ720E01B-513 L/C](#) [M81714/63-22S L/C](#) [M81714/65-12-1](#) [66020-2](#) [CW8958-000](#) [699886-000](#) [D250-50632](#) [70.400.3240.0](#) [70.955.2453.3](#) [733753-000](#) [F22831-000](#) [780-522-DPX34RG8-02](#) [MMA25-0051R1](#) [MMA25-0341D1](#) [8660-501](#) [87.060.0053.0](#) [900709N001](#) [QRP4-12P-C\(01\)](#) [QR/P6-6S-C\(01\)](#) [AC-600003-004](#) [1218600-1](#) [D-659-0061](#) [DMC-MD 24 C-T](#) [1-445717-6](#) [1484398-2](#) [1484399-2](#) [1484469-2](#) [MR-34MG](#) [1484225-1](#) [1484398-1](#) [1484510-4](#) [1604997-2](#) [1663130-1](#) [1663767-7](#) [1663767-8](#) [MTC100-BF1-P31CS015](#) [MTC100-KT2-0083](#)