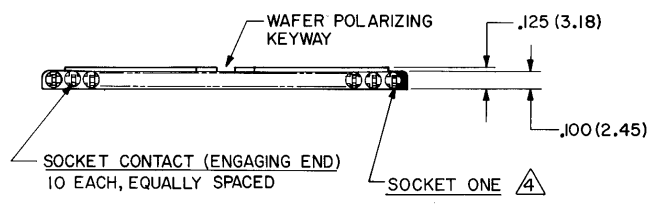
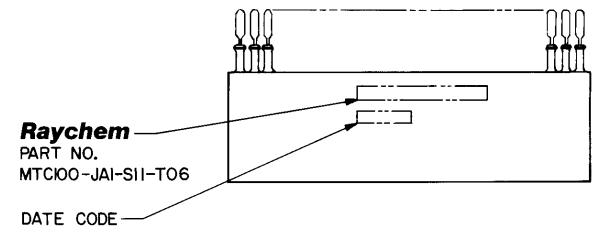
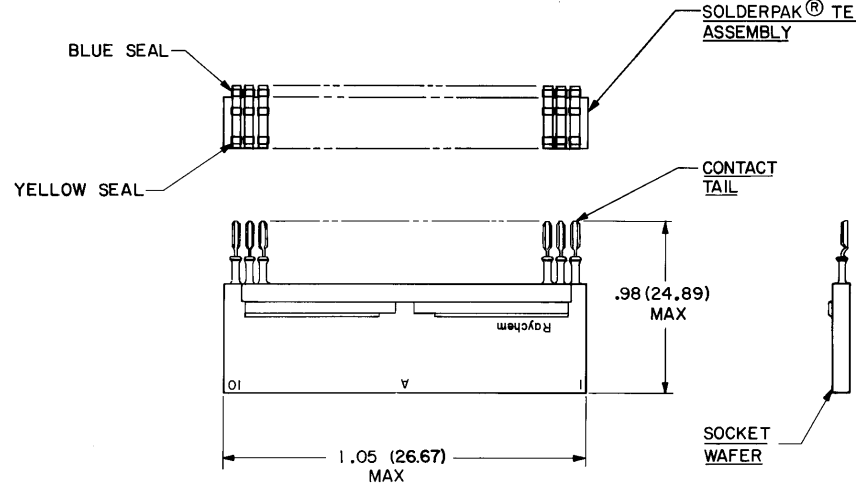


REVISIONS				
ZONE	LTR	DESCRIPTION	DATE	APPROVED
—	A	CHG'D PER DCO* T-02582	W.J. 4-23-81	Slas



⑤ WEIGHT (MAX.) : $\frac{\text{LBS.} | \text{GRAMS}}{.0054 | 2.46}$

④ SOCKET ONE: SOCKET NUMBER ONE MARKED IN CONTRASTING COLOR.

3. WAFER : WAFER MEETS THE REQUIREMENTS OF RAYCHEM SPECIFICATION D-6012.

2. FINISH :
 2-A SOCKET WAFER ; FINISH TO BE AS MOLDED.
 2-B SOCKET CONTACT ; (ENGAGING END) GOLD PLATE PER MIL-G-45204 CLASS I.
 2-C CONTACT TAIL ; COATED WITH SOLDER PER QQ-S-571.

1. MATERIAL :
 1-A SOCKET WAFER ; HIGH GRADE POLYARYLENE THERMO-PLASTIC.
 1-B SOCKET CONTACT ; COPPER ALLOY PER QQ-B-750 (A).
 1-C SOLDERPAK[®] TERMINATORS ASSY ; REFER TO RAYCHEM DWG. CTA-0035 FOR DATA.

NOTES

DO NOT SCALE THIS DRAWING

SPECIFICATION CONTROL DRAWING

© Raychem Corporation 1981

UNLESS OTHERWISE SPECIFIED DIMENSIONS ARE IN INCHES BRACKETED DIMENSIONS () ARE METRIC AND TOLERANCES ARE: .XXX: ± .005 (0.13 M.M.) .XX: ± .02 (0.51 M.M.) Δ: ± —	DRAWN	W.V.J.	1-15-81	Raychem <small>RAYCHEM CORPORATION 300 CONSTITUTION DR. #1 MENLO PARK, CALIFORNIA 94025</small> TITLE KIT, 1" SOCKET WAFER "A" WITH SOLDERPAK[®] TERMINATORS, FOR ROUND WIRE (20-26 AWG), 125 °C TEMPERATURE RATING MTC 100 SERIES
	CHECKED			
	APPROVED			
	APPROVED		2-1-81	
	SIZE	CODE IDENT	DWG. NO.	
	C	NO. 06090	MTC100-JAI-S11-T06	
	WEIGHT	⑤	SHEET	1 OF 1

X-ON Electronics

Largest Supplier of Electrical and Electronic Components

Click to view similar products for [Rack & Panel Connectors](#) category:

Click to view products by [TE Connectivity](#) manufacturer:

Other Similar products are found below :

[00171410002](#) [00171420202](#) [00171440002](#) [02-014-013-5200-000](#) [613467-000](#) [CTJ112E01E-513](#) [CTJ116E03A-513](#) [66020-2](#) [CW8958-000](#)
[699886-000](#) [D250-50632](#) [70.400.3240.0](#) [70.955.2453.3](#) [733753-000](#) [F22831-000](#) [780-522-DPX34RG8-02](#) [8660-501](#) [87.060.0053.0](#)
[900709N001](#) [928358-1](#) [D-659-0061](#) [1-445717-6](#) [1484469-2](#) [1604997-2](#) [MTC100-BF1-P31CS015](#) [MTC100-KT2-0083](#) [MTC100-KT2-0123-](#)
[003](#) [MTC100-YA1-005](#) [MTCQKT1R2PGCA](#) [MTCR-103-04S](#) [MTCX1X-100-100CS025](#) [1738331-1](#) [1757667-1](#) [1811481-1](#) [1883433-1](#)
[201046-7](#) [202648-4](#) [213364-1](#) [226503-000](#) [937028-164](#) [1663130-2](#) [172305-4](#) [F36711-000](#) [202355-2](#) [202356-2](#) [G16S-A](#) [G20S-AB](#) [CHA-](#)
[0017-003](#) [CHA-0296](#) [354654-000](#)