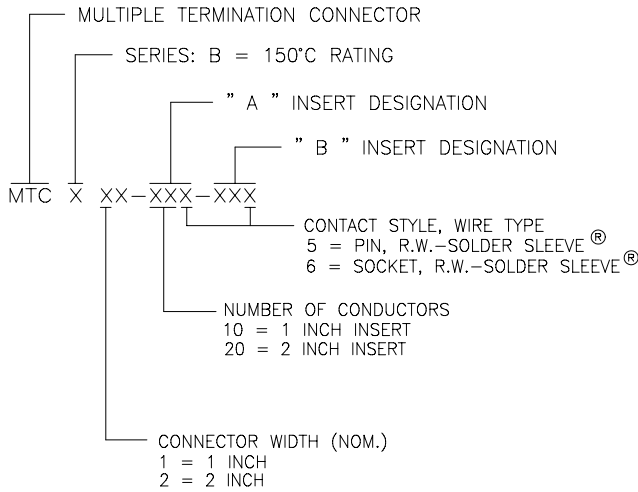


NOTES: \triangle PART NUMBER VARIABLE:



2. MATERIAL:

- A) PIN/SOCKET INSERT HIGH GRADE POLYARYLENE THERMOPLASTIC.
- B) PIN CONTACT COPPER ALLOY PER QQ-B-613 OR QQ-C-502.
- C) SOCKET CONTACT COPPER ALLOY PER QQ-B-750.
- D) INTERFACIAL SEAL SILICONE ELASTOMER PER ZZ-R-765.
- E) SolderSleeve® REFER TO RAYCHEM DRAWING CTA-0026 AND CTA-0027 FOR DETAILS.

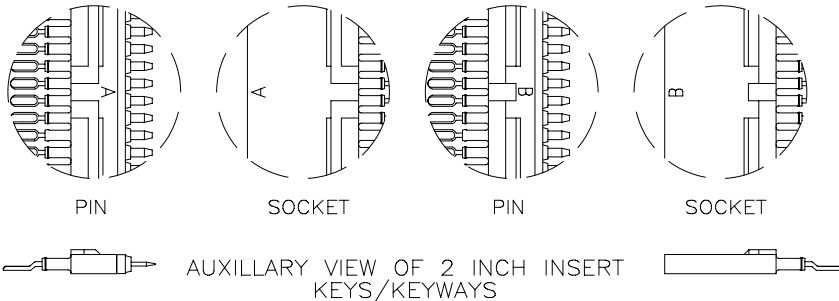
3. FINISH:

- A) PIN/SOCKET INSERT AS MOLDED.
- B) PIN/SOCKET CONTACT GOLD PLATE PER MIL-G-45204, CLASS 1.
- C) CONTACT TAIL SOLDER COATED PER ANSI/J-STD-006 (Sn95Sb05)

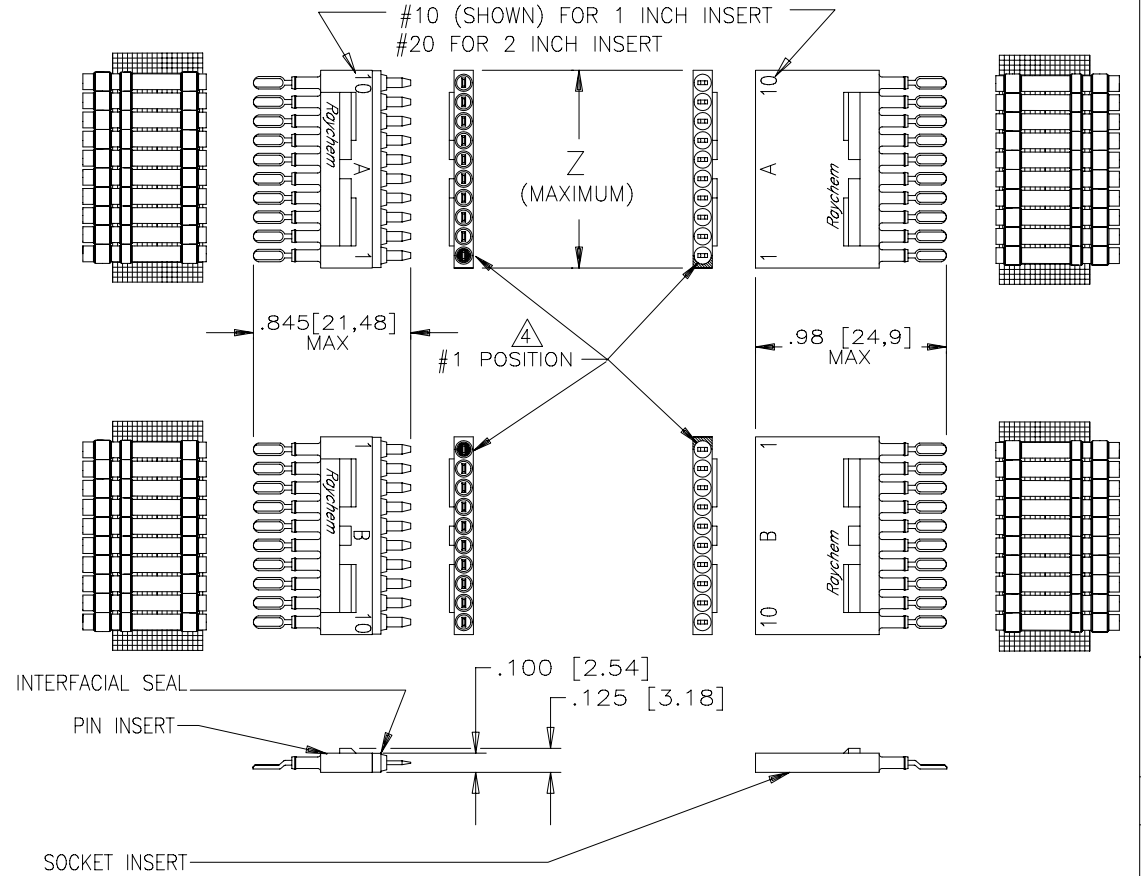
\triangle NUMBER ONE POSITION IS MARKED AS SHOWN IN CONTRASTING COLOR ON INTERFACE.

5. THIS INSERT MEETS THE REQUIREMENTS OF RAYCHEM SPECIFICATION C-6111.

SIZE	WEIGHT MAXIMUM		DIM. "Z"
	LBS.	GRAMS	
1 INCH INSERT	PIN	0.0047	1.05 [26,7]
	SOC.	0.0054	
2 INCH INSERT	PIN	0.0090	2.05 [52,1]
	SOC.	0.0109	



REVISIONS			
LTR	DESCRIPTION	DATE	APPROVED
N/C	INITIAL RELEASE PER ECN T-24356	3/2/2000	M.HIGGY
A	REVISED PER DCR# T-28236	10-12-2000	M.HIGGY



SPECIFICATION CONTROL DRAWING

UNLESS OTHERWISE SPECIFIED DIMENSIONS ARE IN INCHES. METRIC DIMENSIONS ARE IN BRACKETS.	DRAWN	ZS.ORBAN 2/22/2000	Raychem				
	CHECKED		TITLE				
	APPROVED		KIT, A & B INSERT ASSEMBLY SOCKET AND PIN, 1" & 2" FOR ROUND WIRE, 150°C WITH SOLDER PAK®				
	APPROVED	M.HIGGY 3/2/2000	SIZE	CODE IDENT. NO.	DWG. NO.	REV	
DECIMALS .XXX ±.005 .XX ±	.13 mm mm	CAD NAME	T28236.DWG	C	06090	MTCBXX-XXX-XXX \triangle	A
ANGLES .X ±		THIRD ANGLE PROJECTION		DO NOT SCALE THIS DRAWING	SHEET 1 OF 1		
WEIGHT: MAXIMUM SEE TABULATION							

SHEET 1
MTCBXX-XXX-XXX
DWG. NO.

X-ON Electronics

Largest Supplier of Electrical and Electronic Components

Click to view similar products for [Rack & Panel Connectors](#) category:

Click to view products by [TE Connectivity](#) manufacturer:

Other Similar products are found below :

[00171410002](#) [00171420202](#) [00171440002](#) [02-014-013-5200-000](#) [613467-000](#) [CTJ112E01E-513](#) [CTJ116E03A-513](#) [66020-2](#) [CW8958-000](#)
[699886-000](#) [D250-50632](#) [70.400.3240.0](#) [70.955.2453.3](#) [733753-000](#) [F22831-000](#) [780-522-DPX34RG8-02](#) [8660-501](#) [87.060.0053.0](#)
[900709N001](#) [928358-1](#) [D-659-0061](#) [1-445717-6](#) [1484469-2](#) [1604997-2](#) [MTC100-BF1-P31CS015](#) [MTC100-KT2-0083](#) [MTC100-KT2-0123-](#)
[003](#) [MTC100-YA1-005](#) [MTCQKT1R2PGCA](#) [MTCR-103-04S](#) [MTCX1X-100-100CS025](#) [1738331-1](#) [1757667-1](#) [1811481-1](#) [1883433-1](#)
[201046-7](#) [202648-4](#) [213364-1](#) [226503-000](#) [937028-164](#) [1663130-2](#) [172305-4](#) [F36711-000](#) [202355-2](#) [202356-2](#) [G16S-A](#) [G20S-AB](#) [CHA-](#)
[0017-003](#) [CHA-0296](#) [354654-000](#)