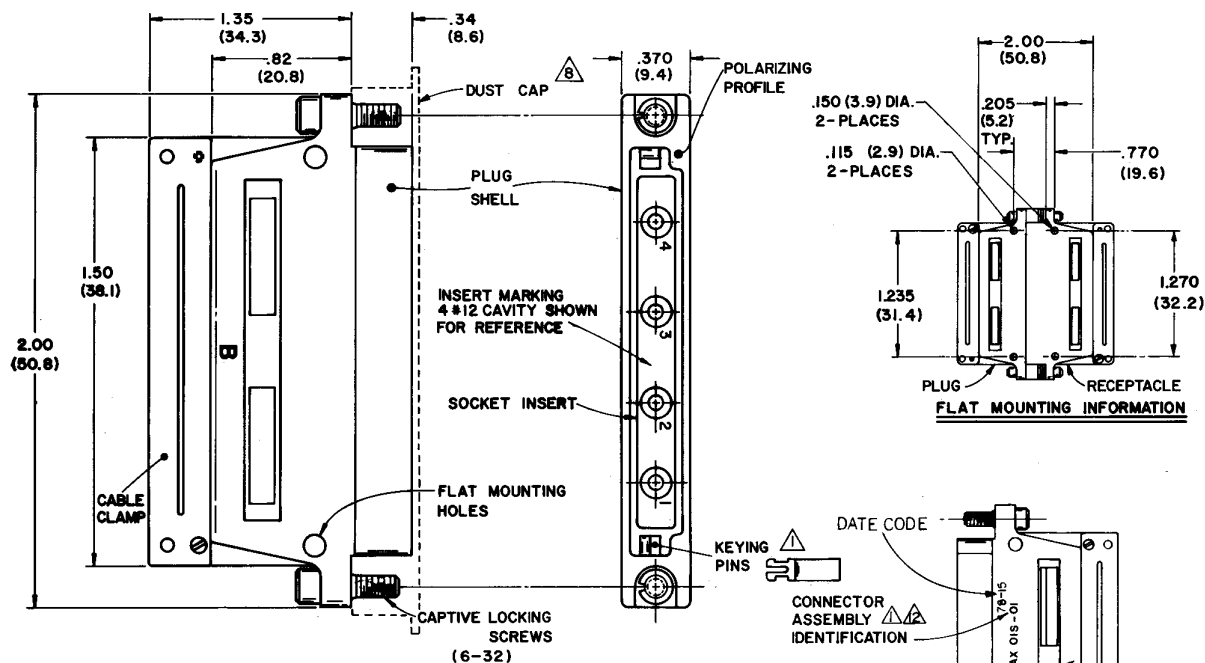


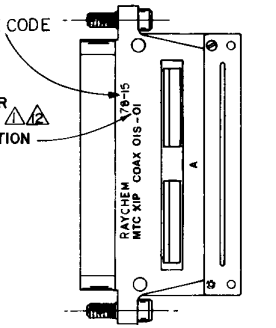
ZONE	LT#	DESCRIPTION	DATE	APPROVED
I		REVISED PER ECR# T-62 55	1/2/80	J
J		REVISE PER DCR# T-28702	2/21/2001	M.HIGGY



SOCKET CONTACT AND TOOLING INFORMATION

TABLE I			
CONTACT TYPE	MILITARY PART NO.	WIRE STRIP LENGTH	TERMINATION TOOL
SHIELDED CONTACT FOR COAX CABLE D-602-0095 OR D-602-0107		SEE DRAWING D-602-0095 OR D-602-0107	SEE DRAWING D-602-0095 OR D-602-0107
CONTACT FOR TWISTED PAIR D-602-0105		SEE DRAWING D-602-0105	SEE DRAWING D-602-0105
POWER CONTACT SIZE 12	M39029/5-12-12	1/4" TO 5/16"	M22520/1-01 POSITIONER M22520/1-02

TABLE II KEYING CODE CHART		
PART NUMBER	X X	POSITION OF KEYS
MTC XIP-COAX OIS-01	AA	KEY POSITION
	AB	KEY POSITION
	AC	KEY POSITION
	AD	KEY POSITION
	BA	KEY POSITION
	BB	KEY POSITION
	BC	KEY POSITION
	BD	KEY POSITION
	CA	KEY POSITION
	CB	KEY POSITION
	CC	KEY POSITION
	CD	KEY POSITION
	DA	KEY POSITION
	DB	KEY POSITION
	DC	KEY POSITION
MTC XIP-COAX OIS-01	DD	KEY POSITION



VIEW SHOWING IDENTIFICATION

NOTES:

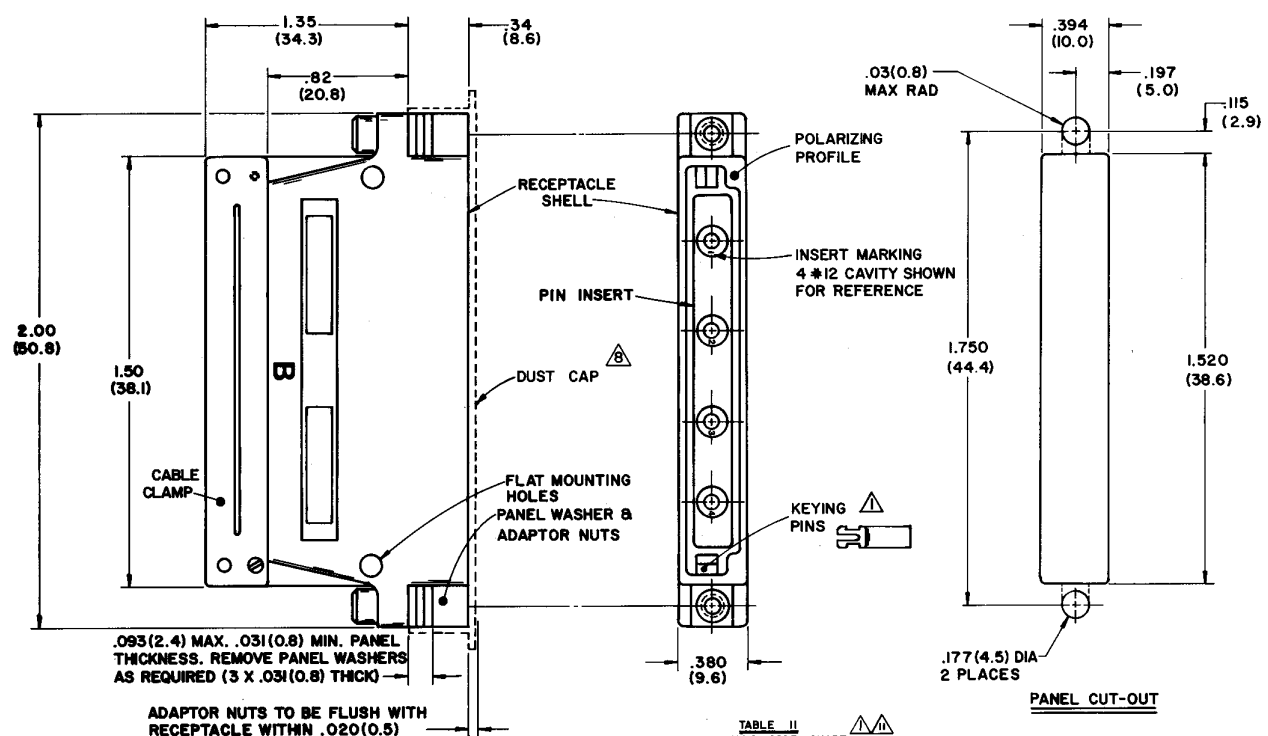
- KEYING CODE DOES NOT FORM A PART OF RAYCHEM PART NUMBER SYSTEM AND SHOULD BE OMITTED WHEN ORDERING. KEYING PINS SUPPLIED UN-INSTALLED. SEE TABLE II FOR KEYING POSITIONS.
- COMPLETE CONNECTORS AND ACCESSORIES ARE INDIVIDUALLY BAGGED AND LABELED.
- REAR GROMMET INSERT WILL SEAL ON SMOOTH INSULATION FROM .097" TO .158" O.D.
- CONNECTOR DESIGNED FOR USE WITH POWER AND SHIELDED CONTACTS PER TABLE I.
- INSERTS ARE PERMANENTLY INSTALLED, CONTACTS MAY BE INSERTED AND REMOVED USING TOOL PER NOTE 8.
- ALL UNUSED CAVITIES TO BE SEALED USING SEALING PLUG NUMBER M83723-28-12.
- ALL CONTACTS SIZE 12 ARE INSERTED AND REMOVED USING TOOL NUMBER M83723-31-12.
- CONNECTOR SUPPLIED WITH A SHIPPING DUST CAP OVER ENGAGING END.
- CONNECTOR PLUG PART NO. MTCXIP-COAX OIS-01-AA. AA = KEYING CODE.
- MATES WITH RECEPTACLE CONNECTOR NO. MTCXIR-COAX OIP-01.
- CONNECTOR MATING REQUIREMENTS: 9 in. lbs. TORQUE FOR CAPTIVE LOCKING SCREWS.
- PART NUMBER VARIABLE:
MTC XIP-COAX OIS-01
B=NICKEL PLATE PER MIL-C-26074
C=CADMIUM PLATE PER QQ-P-416 OVER NICKEL UNDERPLATE
- DIMENSIONS WITHOUT TOLERANCES ARE TO BE CONSIDERED FOR REFERENCE ONLY.

SPECIFICATION CONTROL DRAWING

ITEM	QTY	PART NUMBER	DWG. OR SPEC.	DESCRIPTION
UNLESS OTHERWISE SPECIFIED DIMENSIONS ARE IN INCHES AND TOLERANCES ARE .001				
DRAWN		CRN	1-20-71	TYCO ELECTRONICS/RAYCHEM WIRE AND HARNESSING PRODUCTS 307 CONSTITUTION DRIVE MENLO PARK, CALIFORNIA 94025
CHECKED				TITLE
APPROVED			2-24-76	CONNECTOR, PLUG, RECTANGULAR ENVIRONMENTAL, FIXED SOCKET INSERT - ONE INCH MTC SERIES
APPROVED			6-4-76	
APPROVED			9-9-77	
MATERIAL				
FINISH				
NEXT ASSY		USED IN		
APPLICATION				
PROJECT		6441-6037		
CAPFILE:		T28702a.b.c.d.TIF		
SIZE		D	NO 06090	DWG NO
SCALE				D-652-0004
WEIGHT				J
SHEET				OF 4

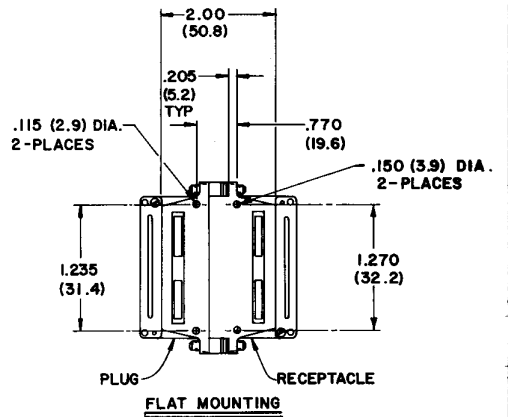
8 7 6 5 4 3 2 1

REVISIONS				
ZONE	LTR	DESCRIPTION	DATE	APPROVED
-	-	SEE SHEET 1		



.093(2.4) MAX. .031(0.8) MIN. PANEL THICKNESS. REMOVE PANEL WASHERS AS REQUIRED (3 X .031(0.8) THICK)

ADAPTOR NUTS TO BE FLUSH WITH RECEPTACLE WITHIN .020(0.5)



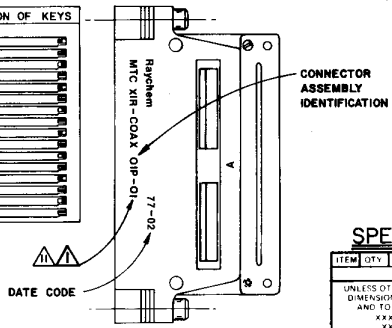
PIN CONTACT AND TOOLING INFORMATION

TABLE I

CONTACT TYPE	MILITARY PART NO.	WIRE STRIP LENGTH	TERMINATION TOOL
SHIELDED CONTACT FOR COAX CABLE D-602-0106 OR D-602-0094		SEE DRAWING D-602-0106 OR D-602-0094	SEE DRAWING D-602-0106 OR D-602-0094
CONTACT FOR TWISTED PAIR D-602-0104		SEE DRAWING D-602-0104	SEE DRAWING D-602-0104
POWER CONTACT SIZE 12	M39029/4-12-12	1/4" TO 5/16"	M22520/1-01 POSITIONER M22520/1-02

TABLE II KEYING CODE CHART

PART NUMBER	X X	POSITION OF KEYS
MTC XIR-COAX OIP-01	AA	1
	AB	2
	AC	3
	AD	4
	BA	5
	BB	6
	BC	7
	BD	8
	CA	9
	CB	10
	CC	11
	DA	12
	DB	13
	DC	14
	DD	15
MTC XIR-COAX OIP-01	DD	15



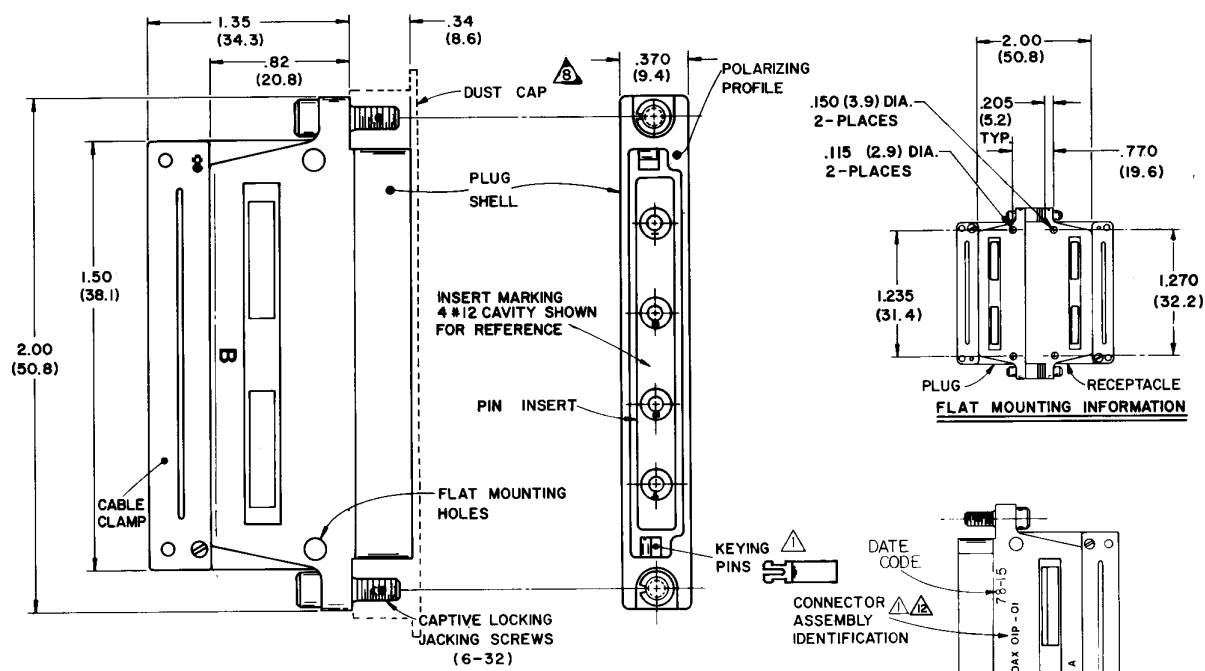
VIEW SHOWING IDENTIFICATION

- NOTES:
- KEYING CODE DOES NOT FORM A PART OF RAYCHEM PART NUMBER SYSTEM AND BE OMITTED WHEN ORDERING. KEYING PINS SUPPLIED UN-INSTALLED. SEE TABLE II FOR KEYING POSITIONS.
 - COMPLETE CONNECTORS AND ACCESSORIES ARE INDIVIDUALLY BAGGED AND LABELED.
 - NEAR GROMMET INSERT WILL SEAL ON SMOOTH INSULATION FROM .097" TO .158" O.D.
 - CONNECTOR DESIGNED FOR USE WITH POWER AND SHIELDED CONTACTS PER TABLE I.
 - INSERTS ARE PERMANENTLY INSTALLED, CONTACTS MAY BE INSERTED & REMOVED USING TOOL PER NOTE 8.
 - ALL UNUSED CAVITIES TO BE SEALED USING SEALING PLUG NUMBER M83723-28-12.
 - ALL CONTACTS SIZE 12 ARE INSERTED AND REMOVED USING TOOL NUMBER M83723-31-12.
 - CONNECTOR SUPPLIED WITH A SHIPPING DUST CAP OVER ENGAGING END.
 - CONNECTOR RECEPTACLE PART NO. MTCXIR-COAX OIP-01- AA, AA = KEYING CODE
 - MATES WITH PLUG CONNECTOR NO. MTCXIP-COAX OIS-01.
 - PART NUMBER VARIABLE:
 - MTC XIR-COAX OIP-01
 - B-NICKEL PLATE PER MIL-C-26074
 - C-CADMIUM PLATE PER QQ-P-416 OVER NICKEL UNDERPLATE
 - DIMENSIONS WITHOUT TOLERANCES ARE TO BE CONSIDERED FOR REFERENCE ONLY.

SPECIFICATION CONTROL DRAWING

ITEM	QTY	PART NUMBER	UWG OR SPEC	DESCRIPTION
UNLESS OTHERWISE SPECIFIED DIMENSIONS ARE IN INCHES AND TOLERANCES ARE:				
XXX				WIRE AND HARNESSING PRODUCTS
XX				MENLO PARK, CALIFORNIA 94025
X				
PARTS LIST				TITLE
DRAWN: CRN 7-20-77				CONNECTOR, RCPT, RECTANGULAR ENVIRONMENTAL, FIXED PIN INSERT ONE INCH MTC SERIES
CHECKED: [Signature]				CODE IDENT
APPROVED: [Signature]				SIZE
APPROVED: [Signature]				DWG NO.
CAD FILE: T28702b.TIF				D-652-0004
FINISH				D NO 06090
PROJECT: 6441-G037				SCALE
DO NOT SCALE THIS DRAWING				WEIGHT
NEXT ASSY USED ON APPLICATION				SHEET 2 OF 4

REVISIONS		DATE	APPROVED
ZONE	LTR	DESCRIPTION	
-	-	SEE SHEET 1	



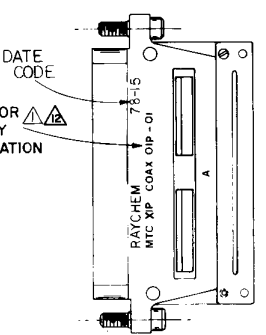
SOCKET CONTACT AND TOOLING INFORMATION

TABLE I

CONTACT TYPE	MILITARY PART NO.	WIRE STRIP LENGTH	TERMINATION TOOL
SHIELDED CONTACT FOR COAX CABLE D-602-0094 OR D-602-0106		SEE DRAWING D-602-0094 OR D-602-0106	SEE DRAWING D-602-0094 OR D-602-0106
CONTACT FOR TWISTED PAIR D-602-0104		SEE DRAWING D-602-0104	SEE DRAWING D-602-0104
POWER CONTACT SIZE 12	M39029/4-12-12	1/4" TO 5/16"	M22520/1-01 POSITIONER M22520/1-02

TABLE II
KEYING CODE CHART

PART NUMBER	X X	POSITION OF KEYS
MTC XIP-COAX OIP-01	AA	[Diagram of key position AA]
	AB	[Diagram of key position AB]
	AC	[Diagram of key position AC]
	AD	[Diagram of key position AD]
	BA	[Diagram of key position BA]
	BB	[Diagram of key position BB]
	BC	[Diagram of key position BC]
	BD	[Diagram of key position BD]
	CA	[Diagram of key position CA]
	CB	[Diagram of key position CB]
	CC	[Diagram of key position CC]
	CD	[Diagram of key position CD]
	DA	[Diagram of key position DA]
	DB	[Diagram of key position DB]
	DC	[Diagram of key position DC]
MTC XIP-COAX OIP-01	DD	[Diagram of key position DD]



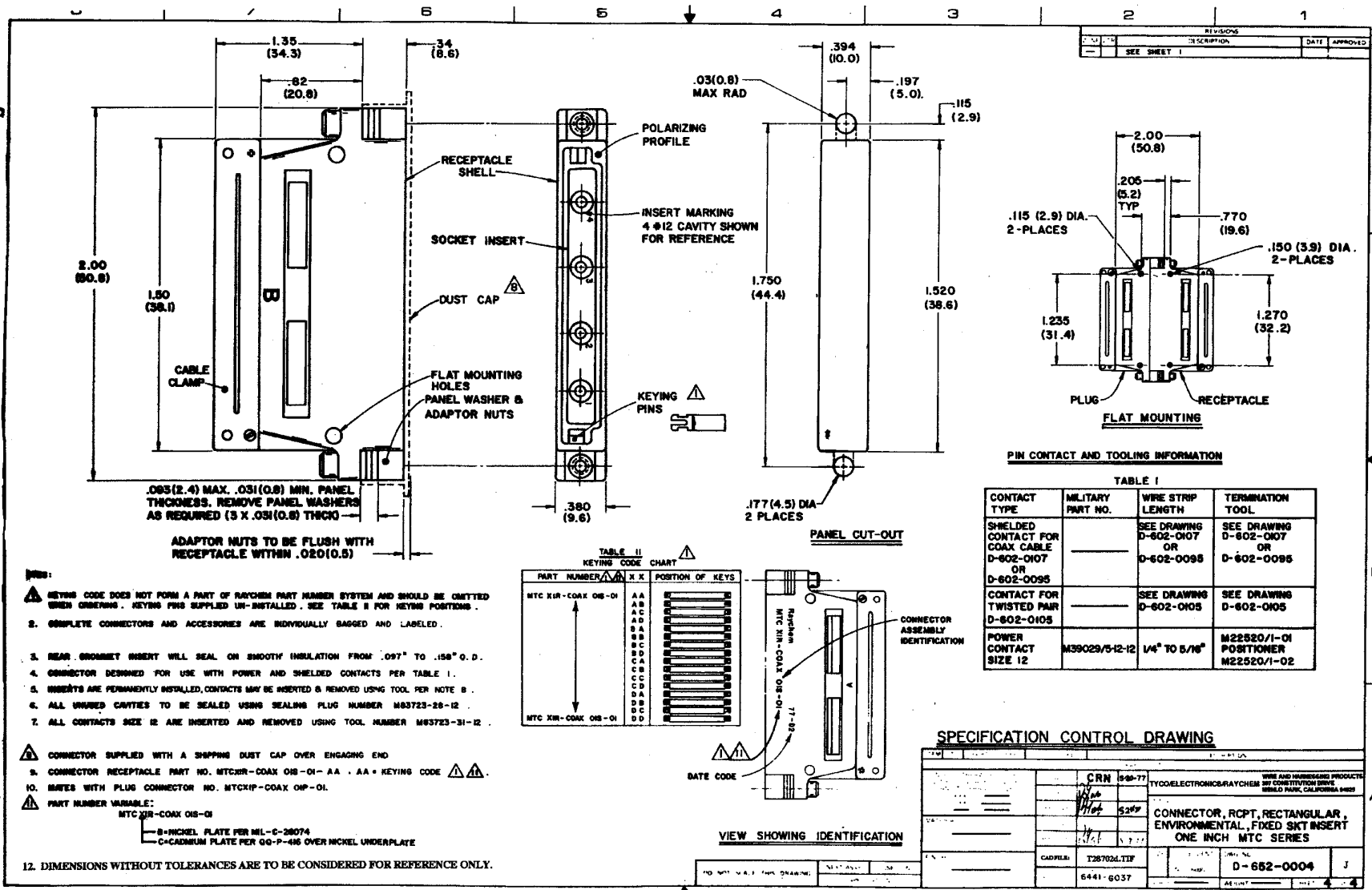
VIEW SHOWING IDENTIFICATION

NOTES:

1. KEYING CODE DOES NOT FORM A PART OF RAYCHEM PART NUMBER SYSTEM AND SHOULD BE OMITTED WHEN ORDERING. KEYING PINS SUPPLIED UN-INSTALLED. SEE TABLE II FOR KEYING POSITIONS.
2. COMPLETE CONNECTORS AND ACCESSORIES ARE INDIVIDUALLY BAGGED AND LABELED.
3. REAR GROMMET INSERT WILL SEAL ON SMOOTH INSULATION FROM .097" TO .158" O.D.
4. CONNECTOR DESIGNED FOR USE WITH POWER AND SHIELDED CONTACTS PER TABLE I.
5. INSERTS ARE PERMANENTLY INSTALLED, CONTACTS MAY BE INSERTED AND REMOVED USING TOOL PER NOTE 8.
6. ALL UNUSED CAVITIES TO BE SEALED USING SEALING PLUG NUMBER M83723-28-12.
7. ALL CONTACTS SIZE 12 ARE INSERTED AND REMOVED USING TOOL NUMBER M83723-31-12.
8. CONNECTOR SUPPLIED WITH A SHIPPING DUST CAP OVER ENGAGING END.
9. CONNECTOR PLUG PART NO. MTCXIP-COAX OIP-01- AA . AA = KEYING CODE
10. MATES WITH RECEPTACLE CONNECTOR NO. MTCXIR-COAX OIS-01.
11. CONNECTOR MATING REQUIREMENTS: 9 in. lbs. TORQUE FOR CAPTIVE LOCKING SCREWS.
12. PART NUMBER VARIABLE:
 - MTC XIP-COAX OIP-01
 - B=NICKEL PLATE PER MIL-C-26074
 - C=CADMIUM PLATE PER QQ-P-416 OVER NICKEL UNDERPLATE
13. DIMENSIONS WITHOUT TOLERANCES ARE TO BE CONSIDERED FOR REFERENCE ONLY.

SPECIFICATION CONTROL DRAWING

DESCRIPTION		DATE		DRAWN BY		CHECKED BY		APPROVED BY	
CONNECTOR, PLUG, RECTANGULAR ENVIRONMENTAL, FIXED PIN INSERT - ONE INCH MTC SERIES		CRN	5-20-77	[Signature]	[Signature]	[Signature]	[Signature]	[Signature]	[Signature]
CAD FILE:	T28702c.TIF	DATE:	5/27/77	SCALE:	1:1	DWG. NO.:	D-652-0004	SHEET:	3 OF 4
REV:	6441-0037	WEIGHT:							



.093(2.4) MAX. .031(0.8) MIN. PANEL THICKNESS. REMOVE PANEL WASHERS AS REQUIRED (3 X .031(0.8) THICK)

ADAPTOR NUTS TO BE FLUSH WITH RECEPTACLE WITHIN .020(0.5)

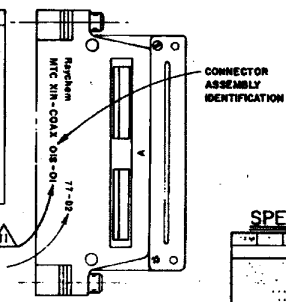
- NOTE:
- KEYING CODE DOES NOT FORM A PART OF RAYCHEM PART NUMBER SYSTEM AND SHOULD BE OMITTED WHEN ORDERING. KEYING PINS SUPPLIED UN-INSTALLED. SEE TABLE II FOR KEYING POSITIONS.
 - COMPLETE CONNECTORS AND ACCESSORIES ARE INDIVIDUALLY BARGED AND LABELED.
 - REAR BROMMET INSERT WILL SEAL ON SMOOTH INSULATION FROM .097" TO .158" O.D.
 - CONNECTOR DESIGNED FOR USE WITH POWER AND SHIELDED CONTACTS PER TABLE I.
 - INSERTS ARE PERMANENTLY INSTALLED, CONTACTS MAY BE INSERTED & REMOVED USING TOOL PER NOTE 9.
 - ALL UNUSED CAVITIES TO BE SEALED USING SEALING PLUG NUMBER M83723-28-12.
 - ALL CONTACTS SIZE 12 ARE INSERTED AND REMOVED USING TOOL NUMBER M83723-31-12.

- CONNECTOR SUPPLIED WITH A SHIPPING DUST CAP OVER ENGAGING END
- CONNECTOR RECEPTACLE PART NO. MTCXIR-COAX 018-01-AA. AA = KEYING CODE
- MADES WITH PLUG CONNECTOR NO. MTCXIP-COAX 018-01.
- PART NUMBER VARIABLE:
MTCXIR-COAX 018-01
B-NICKEL PLATE PER MIL-C-28074
C-CADMIUM PLATE PER QQ-P-416 OVER NICKEL UNDERPLATE

12. DIMENSIONS WITHOUT TOLERANCES ARE TO BE CONSIDERED FOR REFERENCE ONLY.

TABLE II
KEYING CODE CHART

PART NUMBER	KEYING CODE	POSITION OF KEYS
MTC XIR-COAX 018-01	AA	1
	AB	2
	AC	3
	AD	4
	BA	5
	BB	6
	BC	7
	CA	8
	CB	9
	CC	10
	CD	11
	DA	12
	DB	13
	DC	14
MTC XIR-COAX 018-01	DD	15



VIEW SHOWING IDENTIFICATION

PIN CONTACT AND TOOLING INFORMATION

TABLE I

CONTACT TYPE	MILITARY PART NO.	WIRE STRIP LENGTH	TERMINATION TOOL
SHIELDED CONTACT FOR COAX CABLE D-602-0107 OR D-602-0095		SEE DRAWING D-602-0107 OR D-602-0095	SEE DRAWING D-602-0107 OR D-602-0095
CONTACT FOR TWISTED PAIR D-602-0105		SEE DRAWING D-602-0105	SEE DRAWING D-602-0105
POWER CONTACT SIZE 12	M39029/5-12-12	1/4" TO 5/16"	M22520/1-01 POSITIONER M22520/1-02

SPECIFICATION CONTROL DRAWING

CRN	949-77	WIRE AND HARDWARE PRODUCTS
TYCOELECTRONICS/RAYCHEM 387 CONSTITUTION DRIVE, WHEELER PARK, CALIFORNIA 94085		
CONNECTOR, RCPT, RECTANGULAR, ENVIRONMENTAL, FIXED SKT INSERT ONE INCH MTC SERIES		
CADFILE	T287024.TIF	D-652-0004
6441-6037		

X-ON Electronics

Largest Supplier of Electrical and Electronic Components

Click to view similar products for [Rack & Panel Connectors](#) category:

Click to view products by [TE Connectivity](#) manufacturer:

Other Similar products are found below :

[00171410002](#) [00171420202](#) [00171440002](#) [02-014-013-5200-000](#) [613467-000](#) [CTJ112E01E-513](#) [CTJ116E03A-513](#) [66020-2](#) [CW8958-000](#)
[699886-000](#) [D250-50632](#) [70.400.3240.0](#) [70.955.2453.3](#) [733753-000](#) [F22831-000](#) [780-522-DPX34RG8-02](#) [8660-501](#) [87.060.0053.0](#)
[900709N001](#) [928358-1](#) [D-659-0061](#) [1-445717-6](#) [1484469-2](#) [1604997-2](#) [MTC100-BF1-P31CS015](#) [MTC100-KT2-0083](#) [MTC100-KT2-0123-](#)
[003](#) [MTC100-YA1-005](#) [MTCQKT1R2PGCA](#) [MTCR-103-04S](#) [MTCX1X-100-100CS025](#) [1738331-1](#) [1757667-1](#) [1811481-1](#) [1883433-1](#)
[201046-7](#) [202648-4](#) [213364-1](#) [226503-000](#) [937028-164](#) [1663130-2](#) [172305-4](#) [AC-660022-701BP](#) [F36711-000](#) [202355-2](#) [202356-2](#) [G16S-A](#)
[G20S-AB](#) [CHA-0017-003](#) [CHA-0296](#)