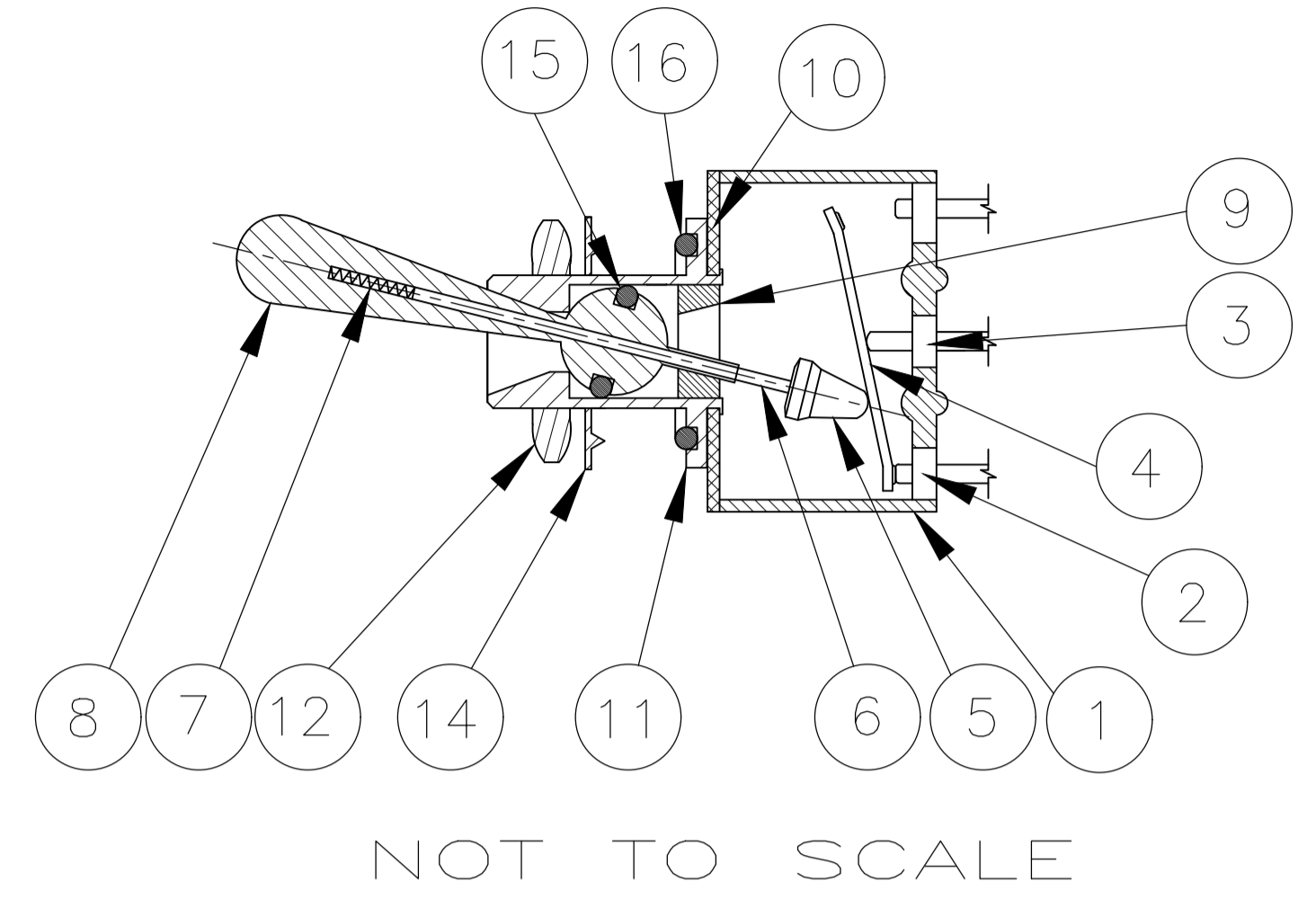
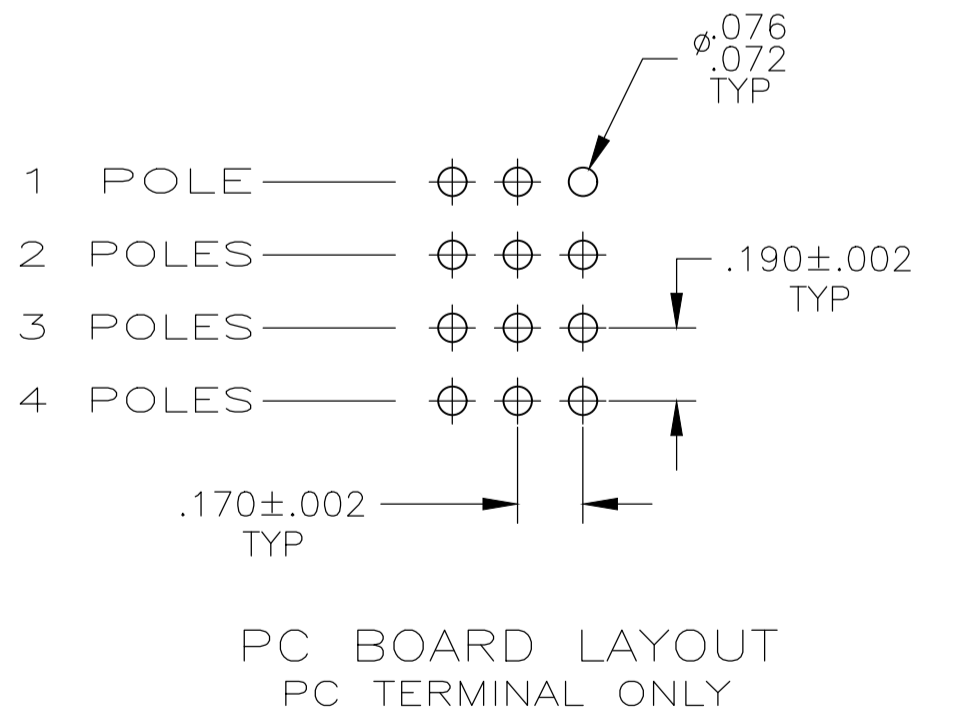
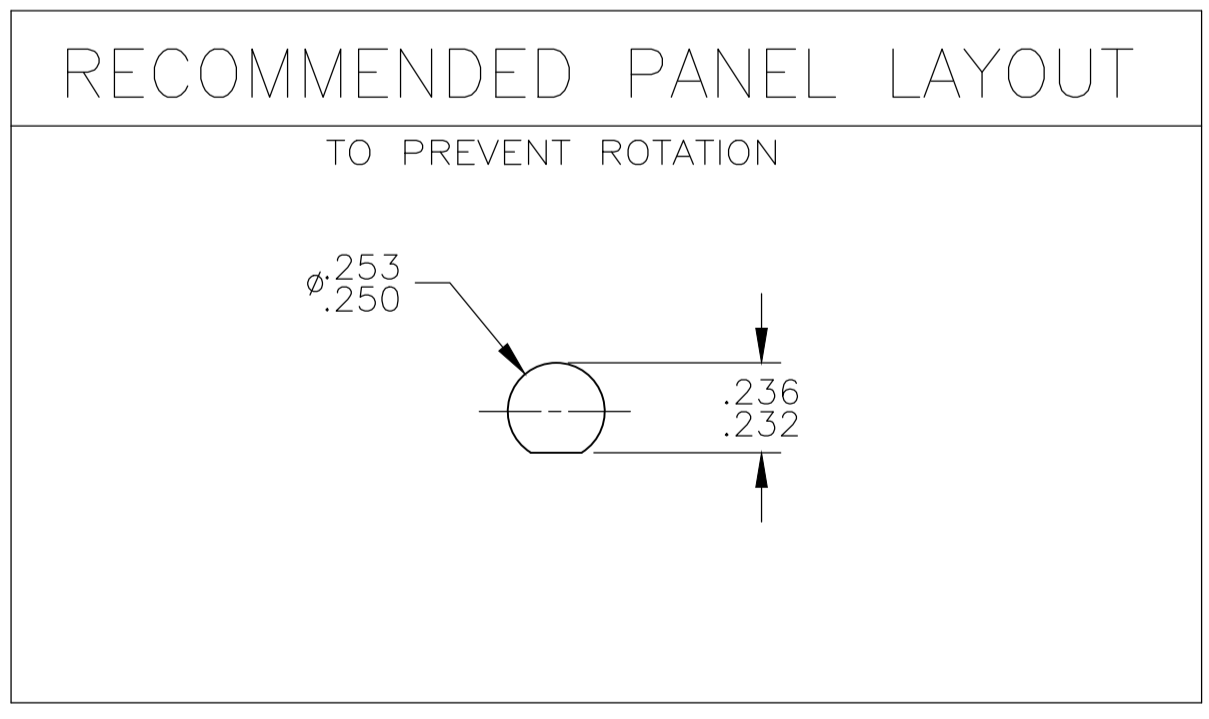


REVISIONS				
P	LTR	DESCRIPTION	DATE	APP'D
C6		ECR-18-009229	25SEP2018	DHC PO

Materials			
No.	Component name	Base material	Finish
1	Housing	High Temp., UL 94V-0, green	
2	End terminal	silver clad copper alloy	5 microinches min. gold
3	Center terminal	copper alloy	5 microinches min. gold
4	Rocker contact	silver clad copper alloy	5 microinches min. gold
5	Actuator	Phenol resin, UL94 HB, black	
6	Plunger	stainless steel	
7	Spring	music wire	
8	Toggle	brass	chrome or Nickel
9	Retainer	Polyamide, UL94 HB, black	
10	Frame	cold rolled steel	zinc or Nickel
11	Bushing	brass	100 microinches min. nickel over 10 microinches min. copper
12	Mounting nut (1)	brass	200 microinches min. bright nickel
14	Internal tooth lockwasher	steel	zinc or Nickel
15	O-Ring, toggle seal		
16	O-Ring, panel seal		



Specifications-see note 3				
<b>Current rating UL &amp; CSA</b>	6A @ 125 VAC (resistive)			
	3A @ 250 VAC (resistive)			
	4A @ 28 VDC (resistive)			
<b>Termination resistance</b>	20 milliohms max @ 2-4 VDC, 1A			
<b>Insulation resistance</b>	1,000 megohms min.			
<b>Withstanding voltage</b>	1,000 VAC			
<b>Travel</b>	24 +/- 6 degrees			
<b>Actuation force</b>	.05 to 1.5 kgf			
<b>Operating temperature</b>	-20C to +85C			
<b>Storage temperature</b>	-40C to +85C			
<b>Contact timing</b>	break before make			
<b>Terminal seal</b>	epoxy or Insert molded			
<b>Durability</b>	<b>Parameter</b>	<b>2 Position</b>	<b>3 Position</b>	<b>Momentary</b>
	mechanical (no load)	150,000	100,000	80,000
	250 VAC (3A resistive)	80,000	60,000	60,000
	125 VAC (6A resistive)	80,000	60,000	60,000
	28 VDC (4A resistive)	60,000	50,000	40,000



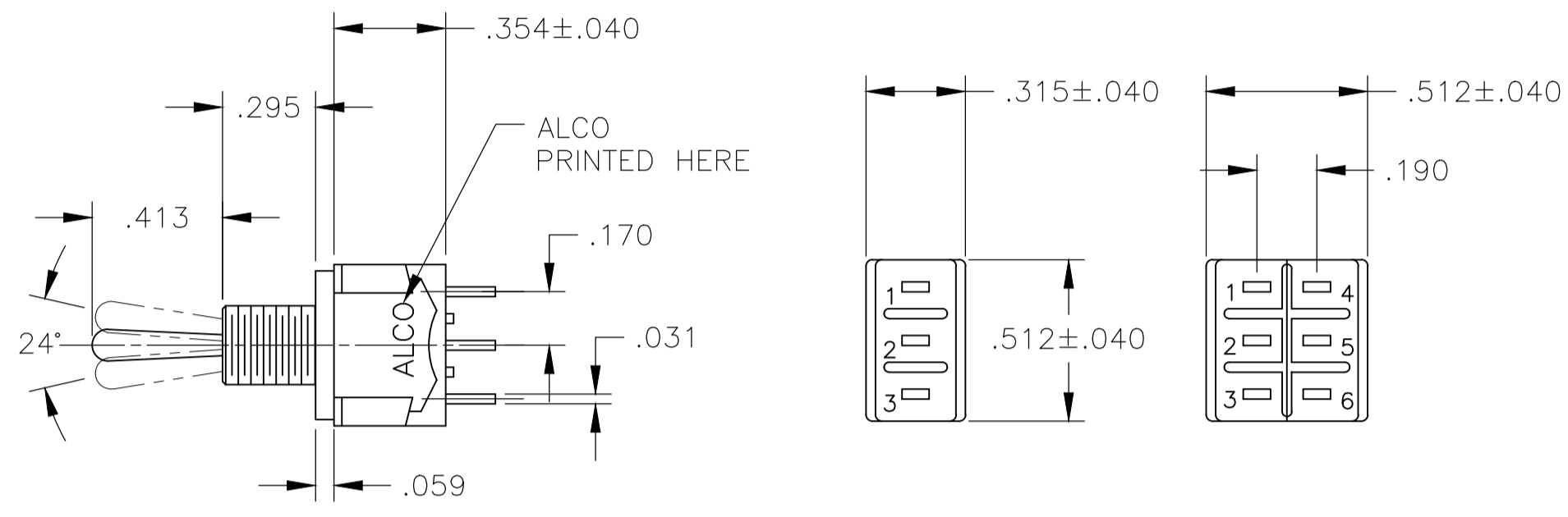
Part Number	Alco Model	Poles	Throws	Function	Terminal				Comments
8-1437558-1	MTE406P	4	2	ON OFF ON	Wire lug	2-3, 5-6, 8-9, 11-12	Off	2-1, 5-4, 8-7, 11-10	
8-1437558-0	MTE406N	4	2	ON ON	Wire lug	2-3, 5-6, 8-9, 11-12	---	2-1, 5-4, 8-7, 11-10	
7-1437558-9	MTE306E	3	2	ON OFF ON	Wire lug	2-3, 5-6, 8-9	Off	2-1, 5-4, 8-7	
7-1437558-8	MTE306D	3	2	ON ON	Wire lug	2-3, 5-6, 8-9	---	2-1, 5-4, 8-7	
7-1437558-7	MTE206T	2	2	ON OFF(ON)	Wire lug	2-3, 5-6	OFF	2-1, 5-4	
7-1437558-6	MTE206S	2	2	(ON) OFF (ON)	Wire lug	2-3, 5-6	OFF	2-1, 5-4	
7-1437558-5	MTE206R	2	2	ON (ON)	Wire lug	2-3, 5-6	---	2-1, 5-4	
7-1437558-4	MTE206PA	1	3	ON ON ON	Wire lug	5-6	5-3	5-1	note 6
7-1437558-3	MTE206P	2	2	ON OFF ON	Wire lug	2-3, 5-6	OFF	2-1, 5-4	
7-1437558-2	MTE206N	2	2	ON ON	Wire lug	2-3, 5-6	---	2-1, 5-4	
7-1437558-1	MTE106G	1	2	(ON) OFF (ON)	Wire lug	2-3	OFF	2-1	
7-1437558-0	MTE106F	1	2	ON (ON)	Wire lug	2-3	---	2-1	
6-1437558-9	MTE106E	1	2	ON OFF ON	Wire lug	2-3	Off	2-1	
6-1437558-8	MTE106D	1	2	ON ON	Wire lug	2-3	---	2-1	

- NOTES:
- TERMINAL NUMBERS ARE FOR REFERENCE ONLY AND DO NOT APPEAR ON THE SWITCHES.
  - EACH SWITCH SUPPLIED WITH THE FOLLOWING MOUNTING HARDWARE:
    - (1) 1/4-40 UNS-2B HEX NUTS
    - (1) INTERNAL TOOTH LOCKWASHER
    - (1) LOCATING RING
  - WIRE LUG CONTACTS WILL ACCEPT 2 #20 AWG SOLID OR STRANDED WIRES.
  - CUSTOMER INSTALLED EXTERNAL JUMPER BETWEEN TERMINALS 2 AND 4 REQUIRED FOR 1 POLE 3 THROW FUNCTION.
  - OBSOLETE
  - LASER MARKING USED FOR PARTS.

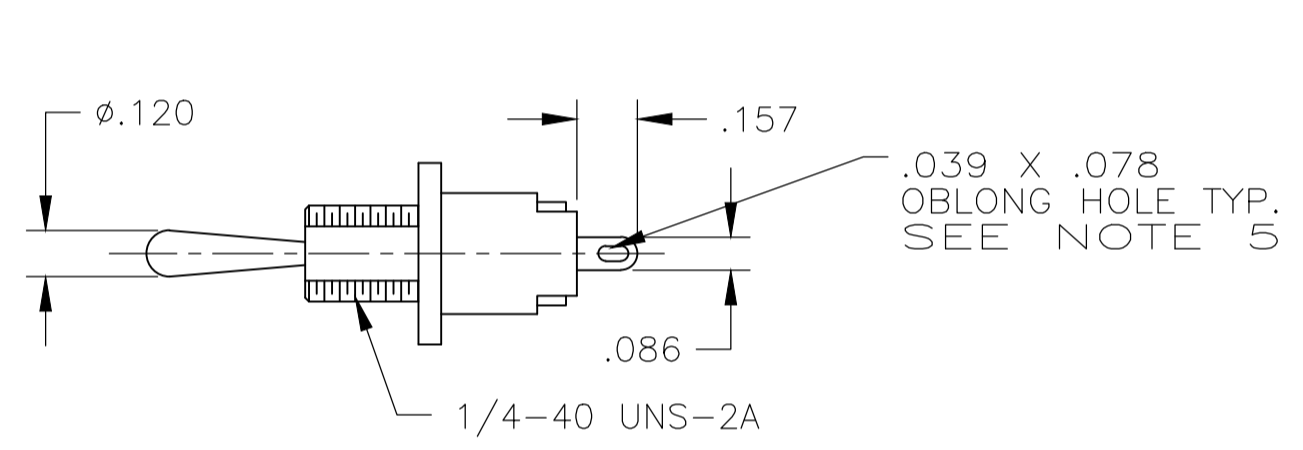
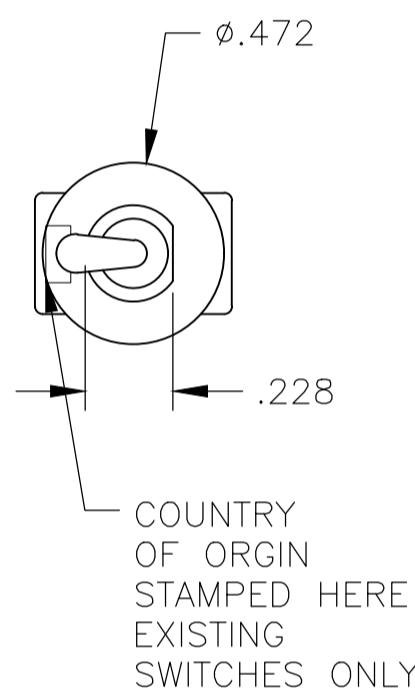
THIS DRAWING IS A CONTROLLED DOCUMENT.

DIMENSIONS: INCHES	TOLERANCES UNLESS OTHERWISE SPECIFIED:	DIN M. BINNER	OBAPR04
0. PLC ± .005	1. PLC ± .005	OBAPR04	
2. PLC ± .005	3. PLC ± .005	M. ZITTO	
4. PLC ± .005	ANGLES ± .1	OBAPR04	
MATERIAL	FINISH	NAME	TE Connectivity Ltd.
		PRODUCT SPEC	TOGGLE SWITCH, MTE SERIES VERTICAL MOUNT
		APPLICATION SPEC	
		SIZE	A1
		WEIGHT	0
		CAGE CODE	00779
		DRAWING NO	6-1437558-8
		RESTRICTED TO	
		CUSTOMER DRAWING	SCALE 2:1 SHEET 1 OF 3 REV C6

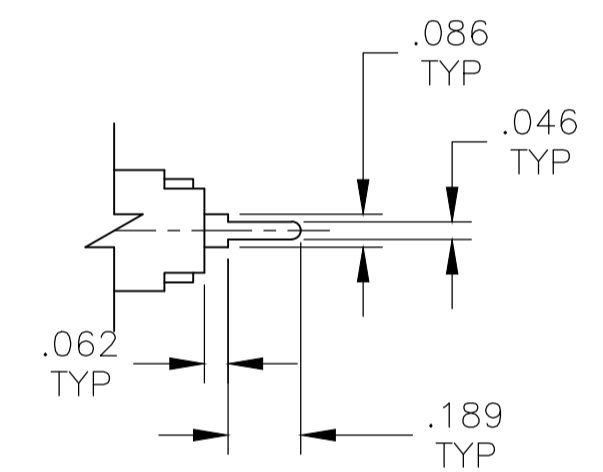
REVISIONS				
P	LTR	DESCRIPTION	DATE	BY
-	-	SEE SHEET 1	-	-



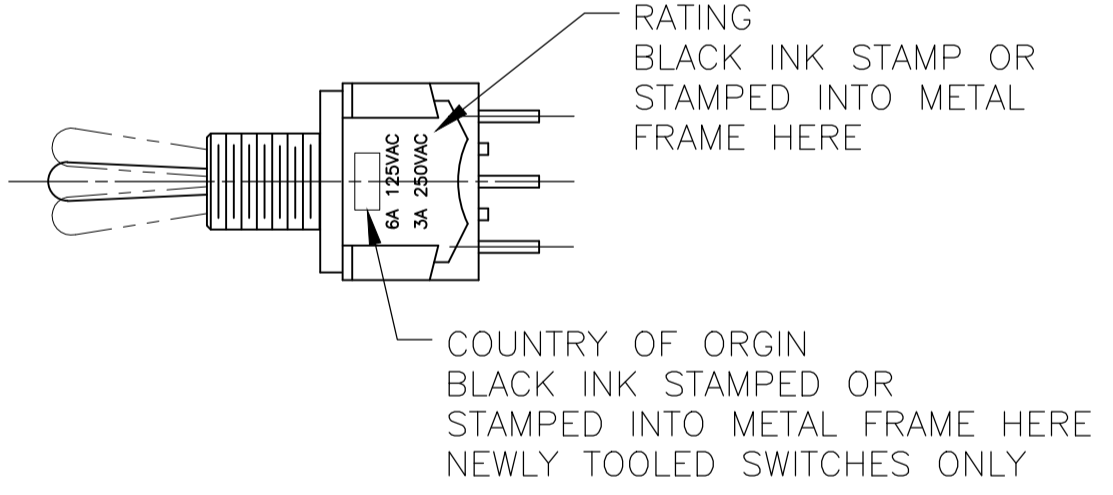
MTE-106 MTE-206



WIRE LUG TERMINAL

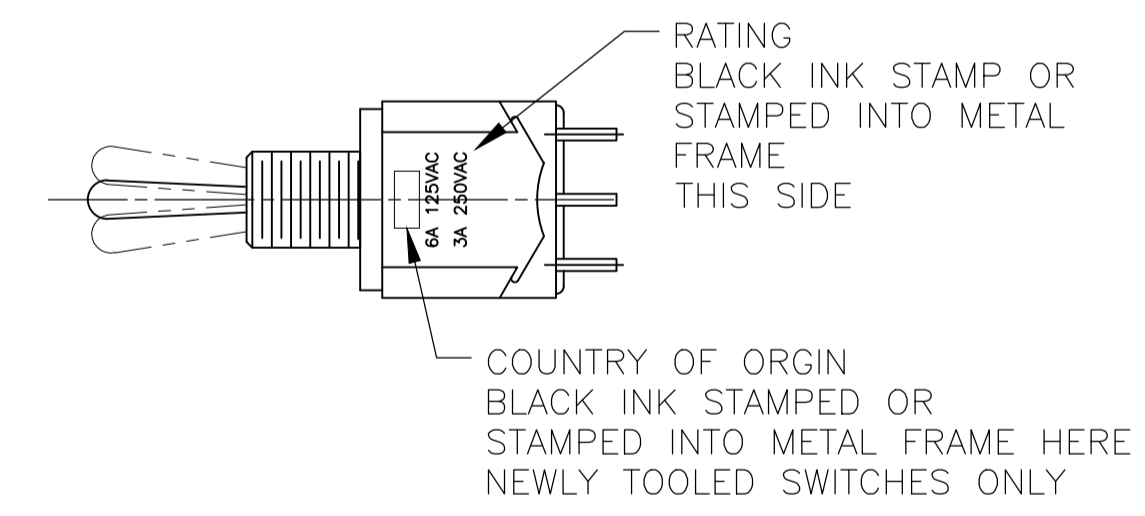
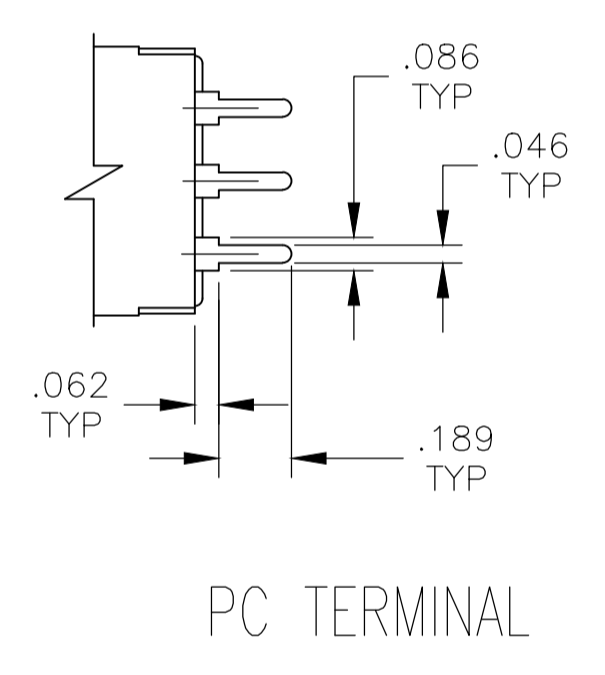
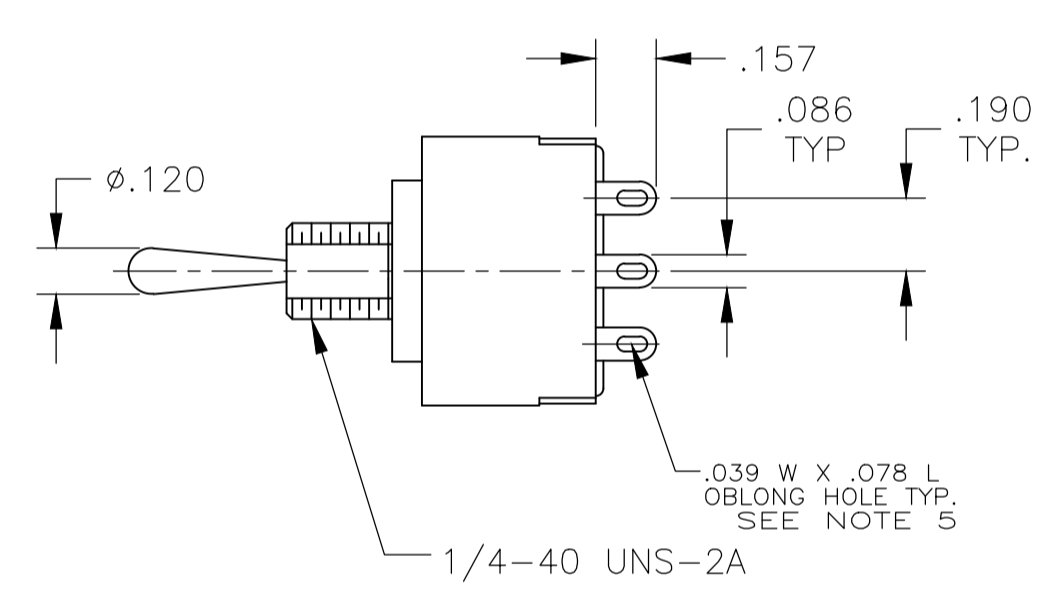
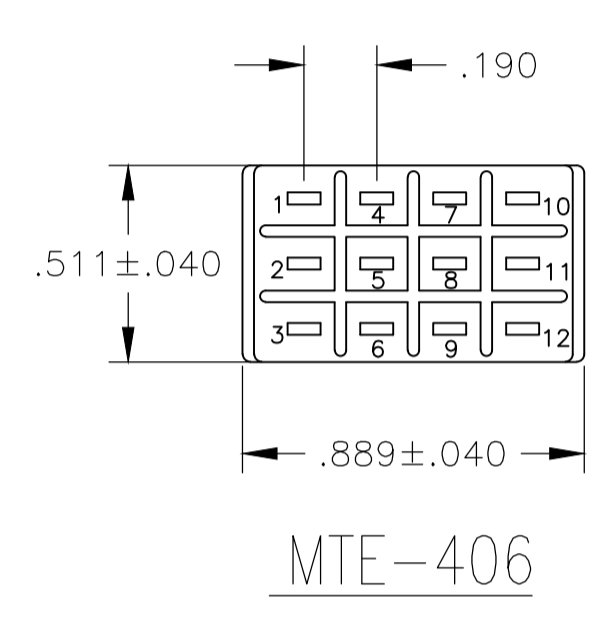
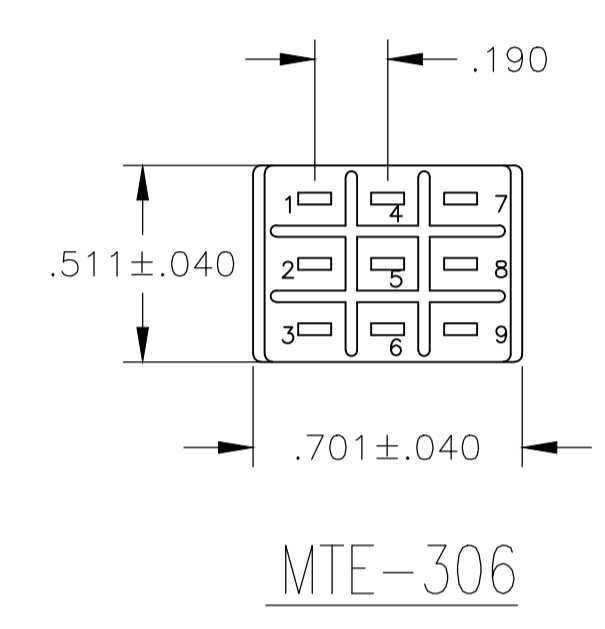
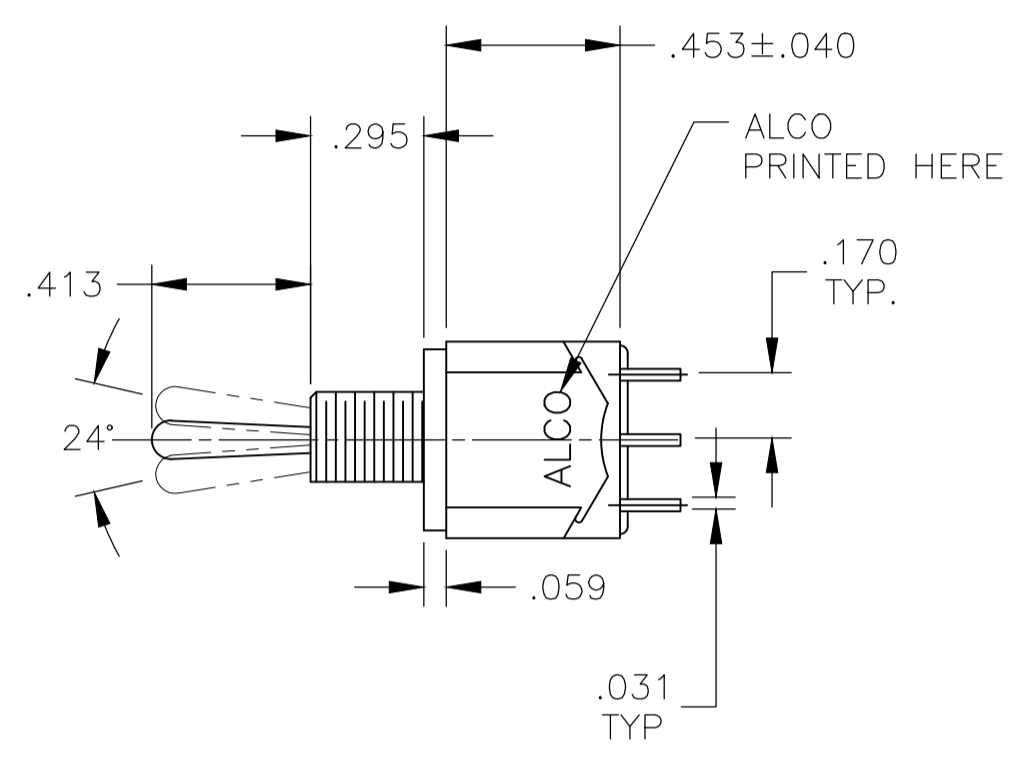
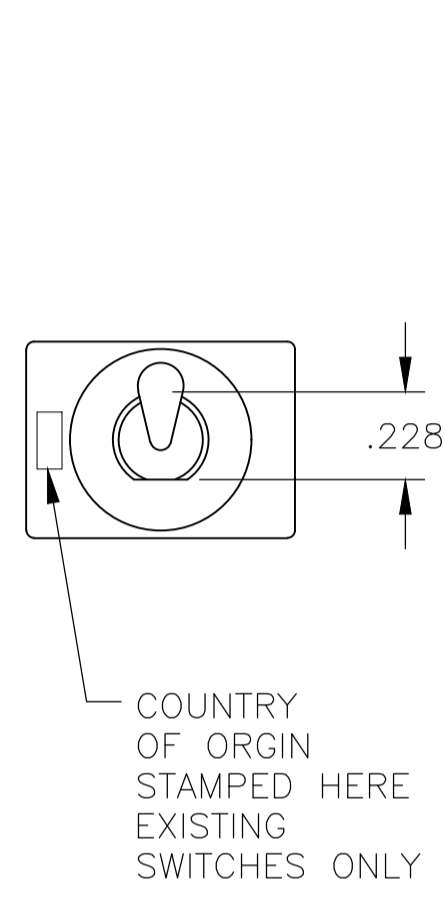


PC TERMINAL



THIS DRAWING IS A CONTROLLED DOCUMENT.		DWG: M.BINNER	OBAPR04	 TE Connectivity Ltd.
DIMENSIONS: INCHES		CHK: M.ZITTO	OBAPR04	
TOLERANCES UNLESS OTHERWISE SPECIFIED:		NAME: M.ZITTO		TOGGLE SWITCH, MTE SERIES VERTICAL MOUNT
0. PLC ± - 1. PLC ± - 2. PLC ± - 3. PLC ± .005 4. PLC ± - ANGLES ± -		PRODUCT SPEC		
MATERIAL		APPLICATION SPEC		SIZE: A1
FINISH		WEIGHT		CAGE CODE: 6-1437558-8
		CUSTOMER DRAWING		RESTRICTED TO: -
		SCALE: 2:1		SHEET 2 OF 3
				REV: C6

REVISIONS				
P	LTR	DESCRIPTION	DATE	APP'D
-	-	SEE SHEET 1	-	-



THIS DRAWING IS A CONTROLLED DOCUMENT.		DWG: M.BINNER	OBAPR04	TE Connectivity Ltd.
DIMENSIONS: INCHES		CHK: M.ZITTO	OBAPR04	
TOLERANCES UNLESS OTHERWISE SPECIFIED:		APP'D: M.ZITTO	OBAPR04	NAME: TOGGLE SWITCH, MTE SERIES VERTICAL MOUNT
0. PLC	± .005	PRODUCT SPEC		APPLICATION SPEC
1. PLC	± .005	APPLICATION SPEC		RESTRICTED TO
2. PLC	± .005	WEIGHT		SIZE: A1
3. PLC	± .005	MATERIAL		CAGE CODE: 6-1437558-8
4. PLC	± .005	FINISH		DRAWING NO: 00779
ANGLES	± .005	CUSTOMER DRAWING		SCALE: 2:1
		SHEET 3 OF 3		REV: C6

## X-ON Electronics

Largest Supplier of Electrical and Electronic Components

*Click to view similar products for [Toggle Switches](#) category:*

*Click to view products by [TE Connectivity](#) manufacturer:*

Other Similar products are found below :

[8928K478](#) [8A1-C-222](#) [020017-13](#) [60012L](#) [6006L](#) [CS115W](#) [CS120W](#) [6663](#) [7101SPDV30BE](#) [7103SDV30BE](#) [7105D](#) [7108P3YAV2BE](#)  
[71YY50282](#) [7300K36](#) [7301K38](#) [7306K36](#) [7310K36](#) [7506K4](#) [7592K6](#) [7660K12](#) [7691K14](#) [7700K1](#) [8391K108](#) [8396K108](#) [8811K17](#)  
[8812K14](#) [8824K14](#) [8828K13](#) [8835K3](#) [8858K44](#) [PS83-121G](#) [1-1825192-0](#) [A201SCWZB04](#) [A207SYCB04](#) [A208J61ZQ0004](#) [A221T1TCQ](#)  
[A323S1CWZQ](#) [A423S1CWZG-M8](#) [1201W](#) [12156AX408](#) [12147AGKX679](#) [12246X778](#) [12TW49-3D](#) [130312](#) [13037L](#) [13001X](#)  
[AE101MD1W4B04](#) [AE208SD1W4B04](#) [MS24659-22D](#) [MS27407-5](#)