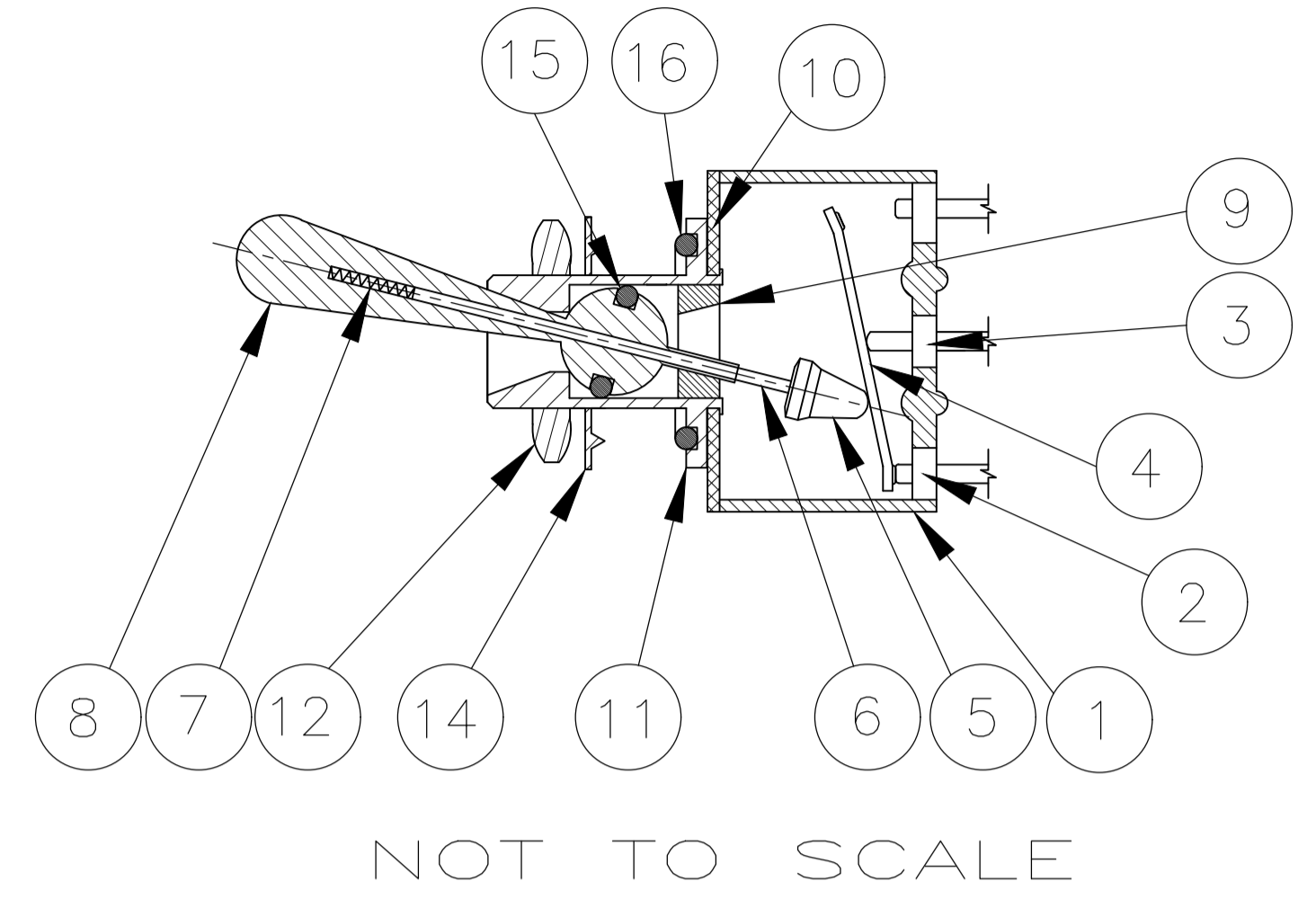


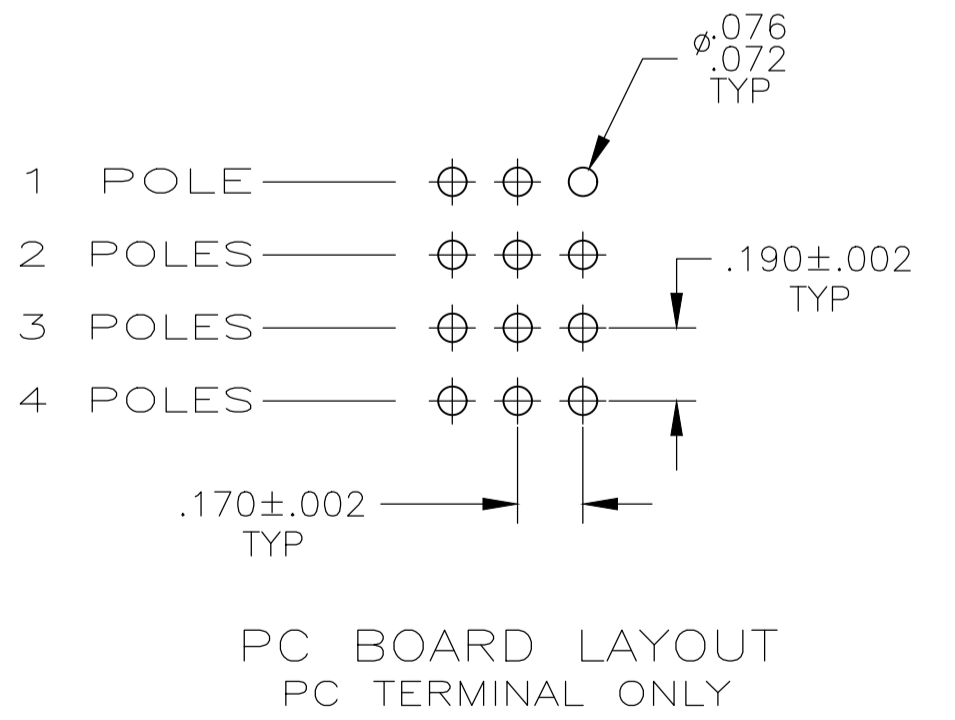
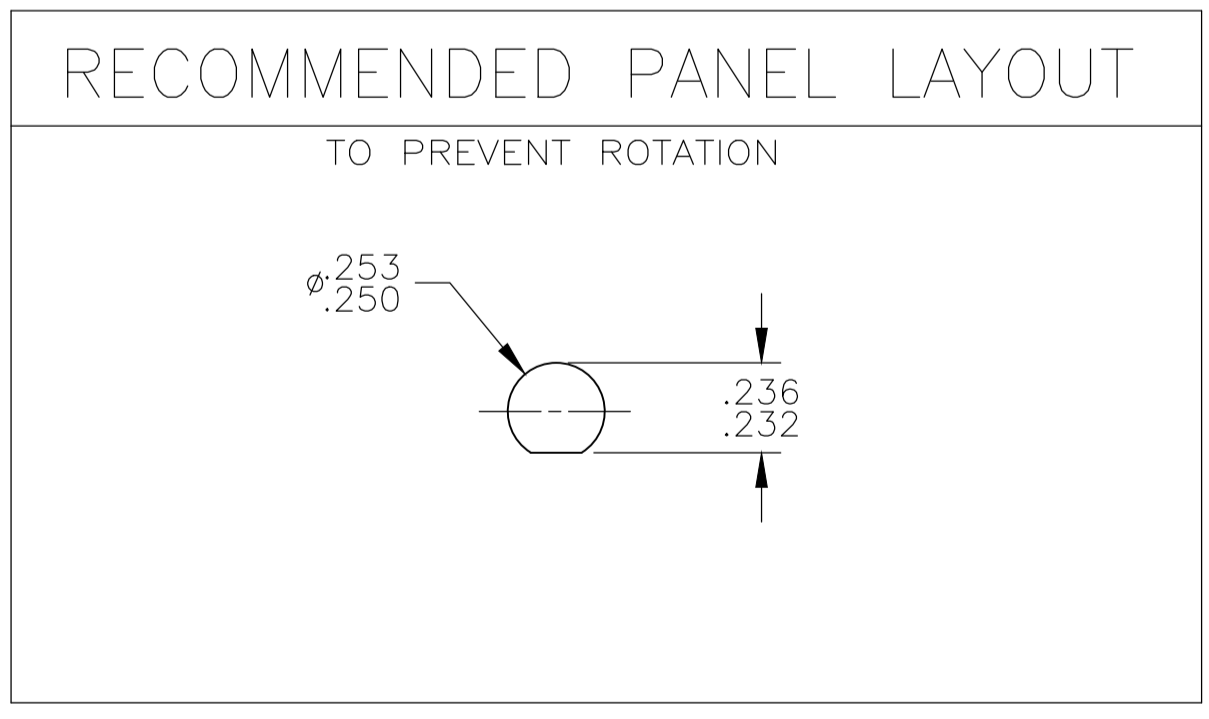
REVISIONS				
P	LTR	DESCRIPTION	DATE	APP'D
C6		ECR-18-009229	25SEP2018	DHC PO

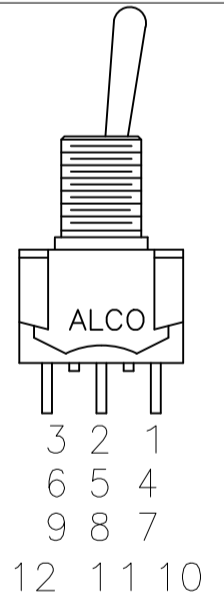
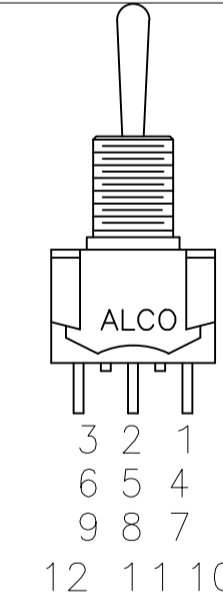
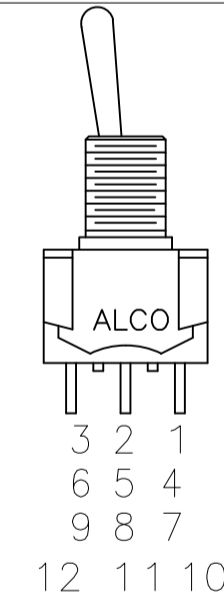
Materials			
No.	Component name	Base material	Finish
1	Housing	High Temp., UL 94V-0, green	
2	End terminal	silver clad copper alloy	5 microinches min. gold
3	Center terminal	copper alloy	5 microinches min. gold
4	Rocker contact	silver clad copper alloy	5 microinches min. gold
5	Actuator	Phenol resin, UL94 HB, black	
6	Plunger	stainless steel	
7	Spring	music wire	
8	Toggle	brass	chrome or Nickel
9	Retainer	Polyamide, UL94 HB, black	
10	Frame	cold rolled steel	zinc or Nickel
11	Bushing	brass	100 microinches min. nickel over 10 microinches min. copper
12	Mounting nut (1)	brass	200 microinches min. bright nickel
14	Internal tooth lockwasher	steel	zinc or Nickel
15	O-Ring, toggle seal		
16	O-Ring, panel seal		



NOT TO SCALE

Specifications-see note 3				
Current rating UL & CSA	6A @ 125 VAC (resistive)			
	3A @ 250 VAC (resistive)			
	4A @ 28 VDC (resistive)			
Termination resistance	20 milliohms max @ 2-4 VDC, 1A			
Insulation resistance	1,000 megohms min.			
Withstanding voltage	1,000 VAC			
Travel	24 +/- 6 degrees			
Actuation force	.05 to 1.5 kgf			
Operating temperature	-20C to +85C			
Storage temperature	-40C to +85C			
Contact timing	break before make			
Terminal seal	epoxy or Insert molded			
Durability	Parameter	2 Position	3 Position	Momentary
	mechanical (no load)	150,000	100,000	80,000
	250 VAC (3A resistive)	80,000	60,000	60,000
	125 VAC (6A resistive)	80,000	60,000	60,000
	28 VDC (4A resistive)	60,000	50,000	40,000



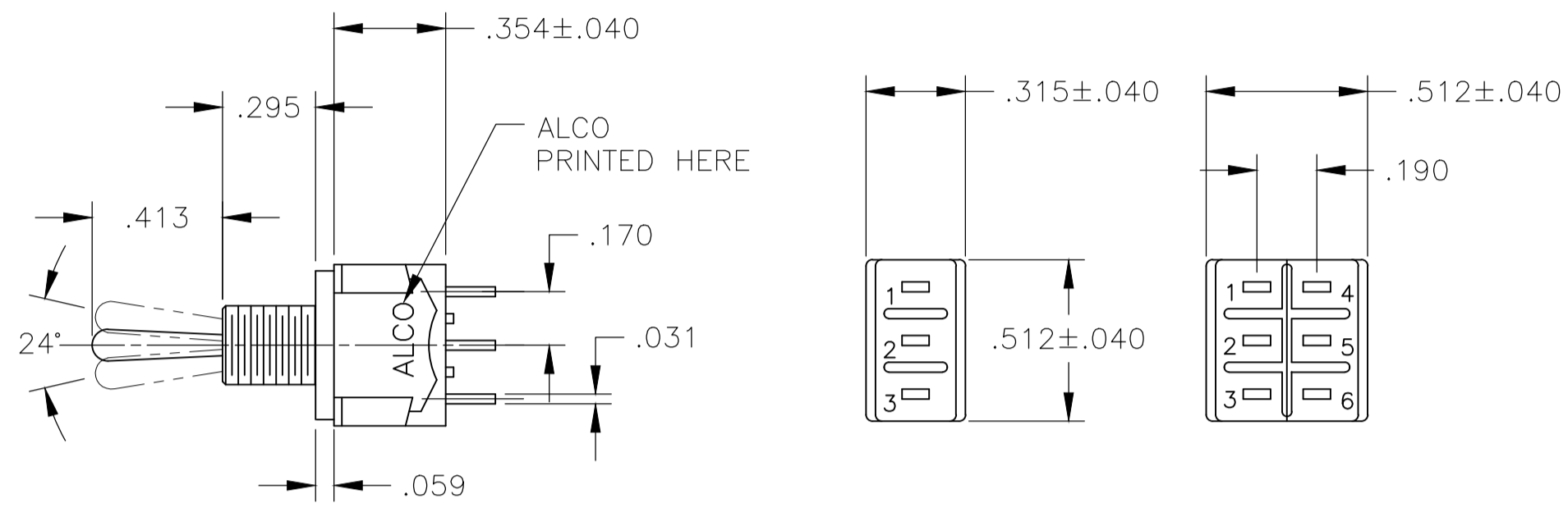
Part Number	Alco Model	Poles	Throws	Function	Terminal				Comments
8-1437558-1	MTE406P	4	2	ON OFF ON	Wire lug	3 2 1 6 5 4 9 8 7 12 11 10	Off	2-1, 5-4, 8-7, 11-10	
8-1437558-0	MTE406N	4	2	ON ON	Wire lug	3 2 1 6 5 4 9 8 7 12 11 10	---	2-1, 5-4, 8-7, 11-10	
7-1437558-9	MTE306E	3	2	ON OFF ON	Wire lug	3 2 1 6 5 4 9 8 7 12 11 10	Off	2-1, 5-4, 8-7	
7-1437558-8	MTE306D	3	2	ON ON	Wire lug	3 2 1 6 5 4 9 8 7 12 11 10	---	2-1, 5-4, 8-7	
7-1437558-7	MTE206T	2	2	ON OFF(ON)	Wire lug	3 2 1 6 5 4 9 8 7 12 11 10	OFF	2-1, 5-4	
7-1437558-6	MTE206S	2	2	(ON) OFF (ON)	Wire lug	3 2 1 6 5 4 9 8 7 12 11 10	OFF	2-1, 5-4	
7-1437558-5	MTE206R	2	2	ON (ON)	Wire lug	3 2 1 6 5 4 9 8 7 12 11 10	---	2-1, 5-4	
7-1437558-4	MTE206PA	1	3	ON ON ON	Wire lug	3 2 1 6 5 4 9 8 7 12 11 10	5-6	5-1	note 6
7-1437558-3	MTE206P	2	2	ON OFF ON	Wire lug	3 2 1 6 5 4 9 8 7 12 11 10	OFF	2-1, 5-4	
7-1437558-2	MTE206N	2	2	ON ON	Wire lug	3 2 1 6 5 4 9 8 7 12 11 10	---	2-1, 5-4	
7-1437558-1	MTE106G	1	2	(ON) OFF (ON)	Wire lug	3 2 1 6 5 4 9 8 7 12 11 10	OFF	2-1	
7-1437558-0	MTE106F	1	2	ON (ON)	Wire lug	3 2 1 6 5 4 9 8 7 12 11 10	---	2-1	
6-1437558-9	MTE106E	1	2	ON OFF ON	Wire lug	3 2 1 6 5 4 9 8 7 12 11 10	Off	2-1	
6-1437558-8	MTE106D	1	2	ON ON	Wire lug	3 2 1 6 5 4 9 8 7 12 11 10	---	2-1	

- NOTES:
- TERMINAL NUMBERS ARE FOR REFERENCE ONLY AND DO NOT APPEAR ON THE SWITCHES.
 - EACH SWITCH SUPPLIED WITH THE FOLLOWING MOUNTING HARDWARE:
 - (1) 1/4-40 UNS-2B HEX NUTS
 - (1) INTERNAL TOOTH LOCKWASHER
 - (1) LOCATING RING
 - WIRE LUG CONTACTS WILL ACCEPT 2 #20 AWG SOLID OR STRANDED WIRES.
 - CUSTOMER INSTALLED EXTERNAL JUMPER BETWEEN TERMINALS 2 AND 4 REQUIRED FOR 1 POLE 3 THROW FUNCTION.
 - OBSOLETE
 - LASER MARKING USED FOR PARTS.

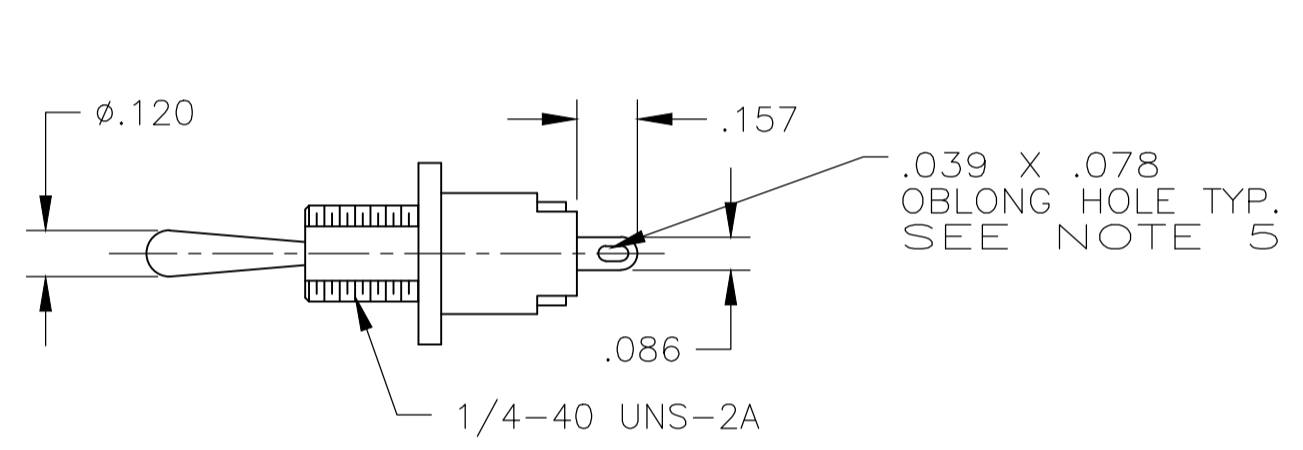
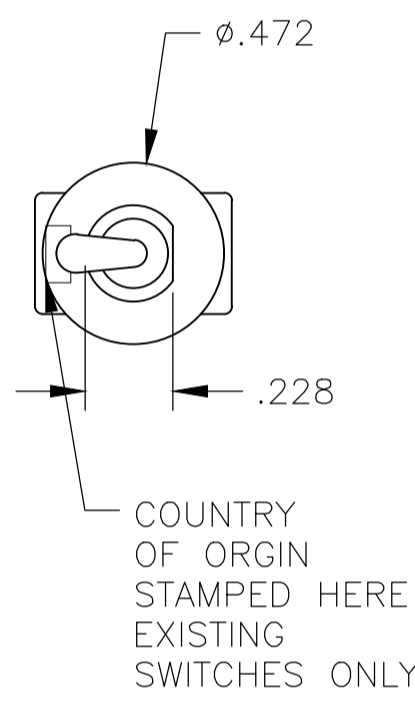
THIS DRAWING IS A CONTROLLED DOCUMENT.

DIMENSIONS: INCHES	TOLERANCES UNLESS OTHERWISE SPECIFIED:	DIN M. BINNER	OBAPR04
0. PLC ± .005	1. PLC ± .005	OBAPR04	
2. PLC ± .005	3. PLC ± .005	M. ZITTO	OBAPR04
4. PLC ± .005	ANGLES ± .005	M. ZITTO	OBAPR04
MATERIAL	FINISH	NAME	NAME
		TOGGLE SWITCH, MTE SERIES	TOGGLE SWITCH, MTE SERIES
		VERTICAL MOUNT	VERTICAL MOUNT
		SIZE	CAGE CODE
		A1	00779
		DRAWING NO.	6-1437558-8
		RESTRICTED TO	
		CUSTOMER DRAWING	SCALE 2:1 SHEET 1 OF 3 REV C6

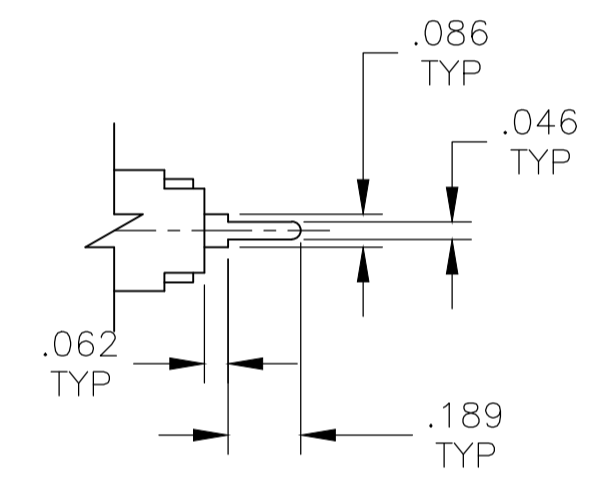
REVISIONS				
P	LTR	DESCRIPTION	DATE	APP'D
-	-	SEE SHEET 1	-	-



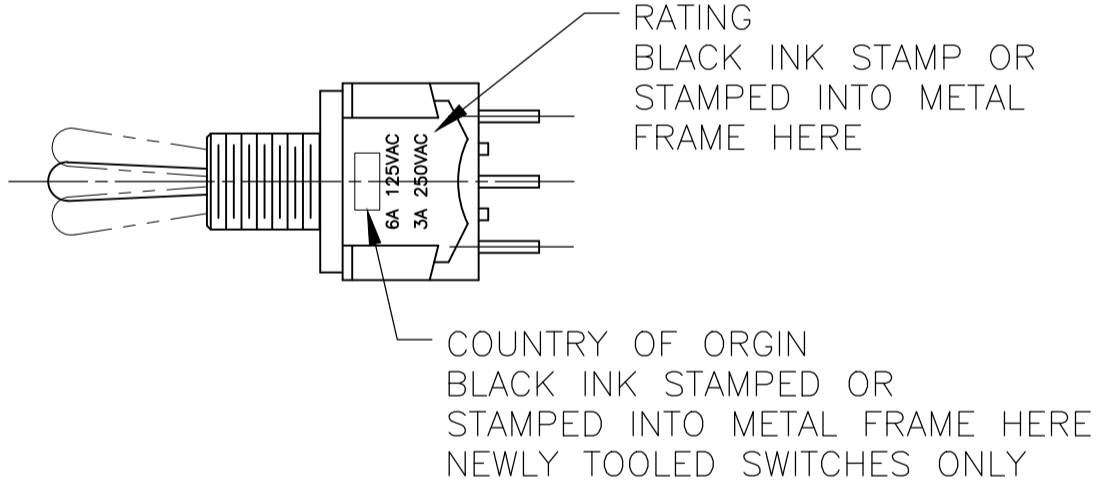
MTE-106 MTE-206



WIRE LUG TERMINAL

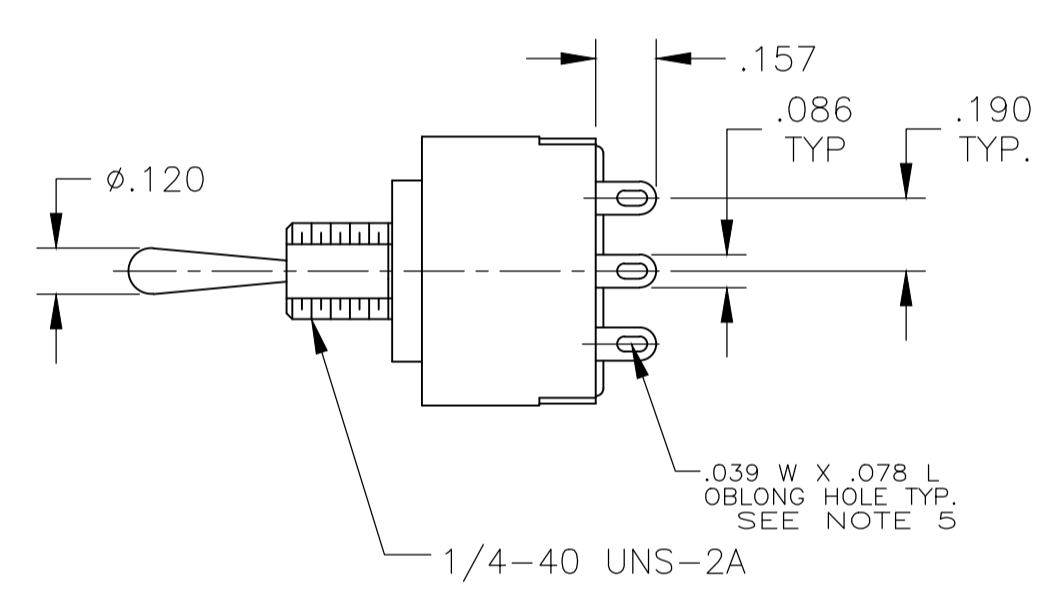
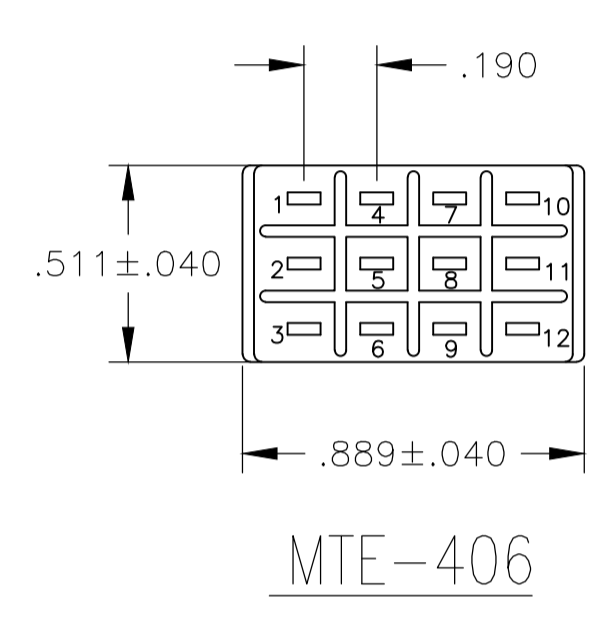
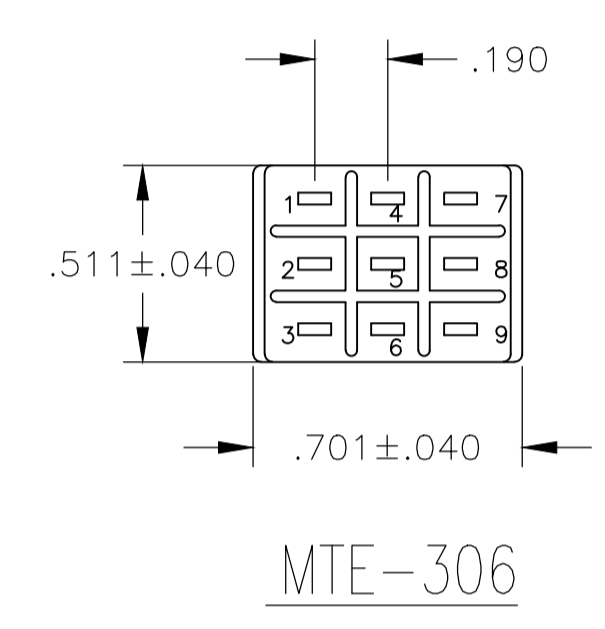
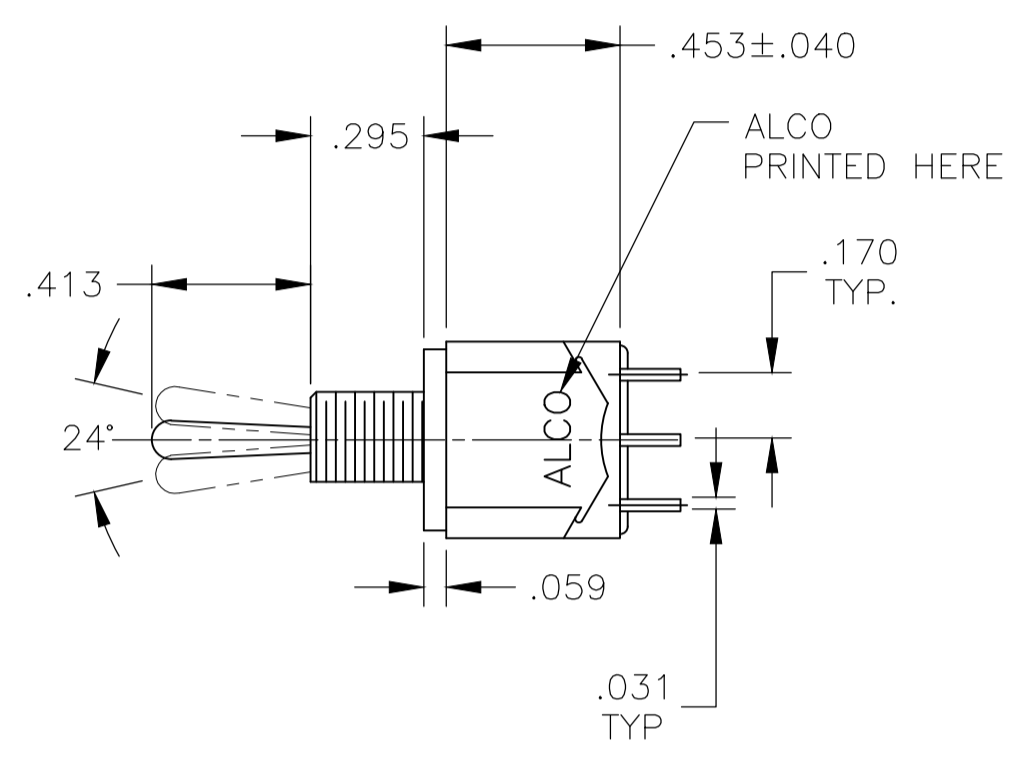
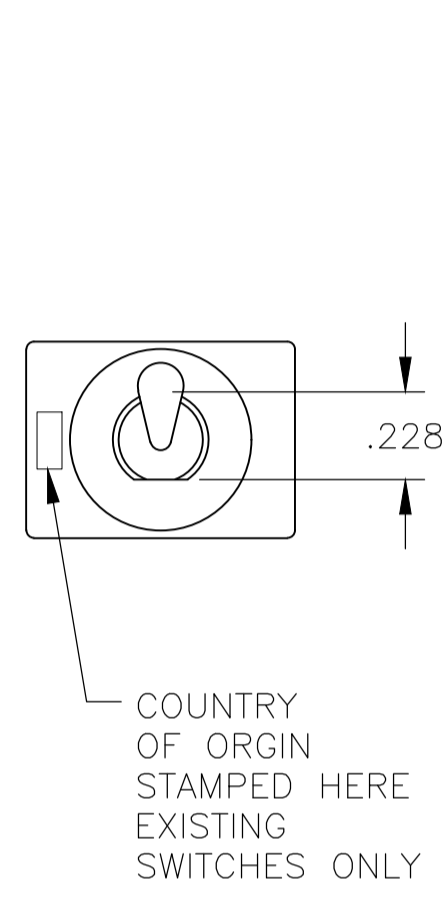


PC TERMINAL

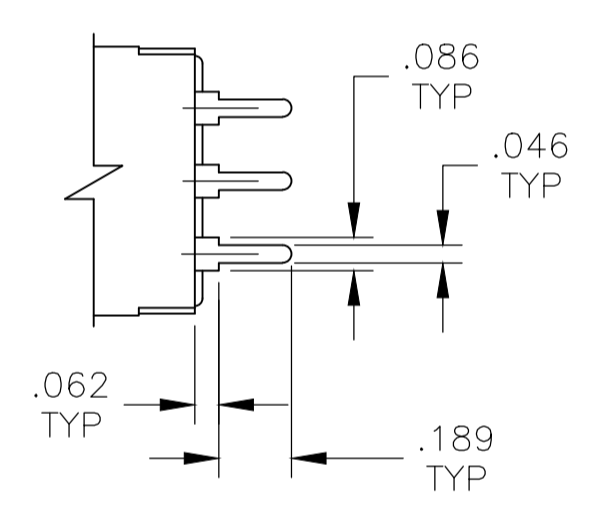


THIS DRAWING IS A CONTROLLED DOCUMENT.		DIV: M. BINNER	OBAPR04	TE Connectivity Ltd.
DIMENSIONS: INCHES		CHK: M. ZITTO	OBAPR04	
TOLERANCES UNLESS OTHERWISE SPECIFIED:		APP'D: M. ZITTO	OBAPR04	NAME: TOGGLE SWITCH, MTE SERIES VERTICAL MOUNT
0. PLC	± .005	PRODUCT SPEC		APPLICATION SPEC
1. PLC	± .005	APPLICATION SPEC		RESTRICTED TO
2. PLC	± .005	WEIGHT		SIZE: A1
3. PLC	± .005	MATERIAL		CAGE CODE: 6-1437558-8
4. PLC	± .005	FINISH		DRAWING NO: 00779
ANGLES	± .005	CUSTOMER DRAWING		SCALE: 2:1
				SHEET 2 OF 3
				REV C6

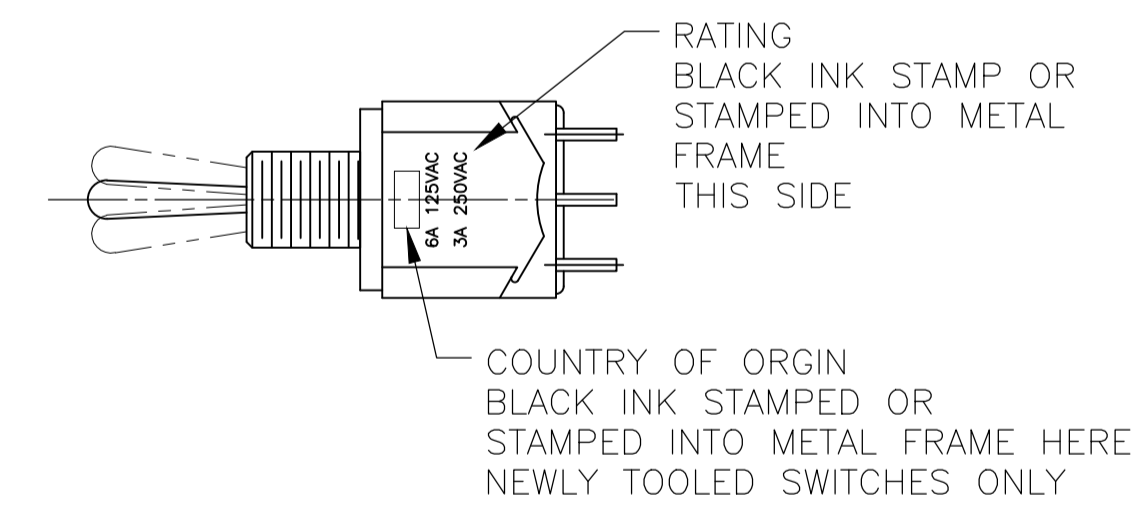
REVISIONS				
P	LTR	DESCRIPTION	DATE	OWN
-	-	SEE SHEET 1	-	-



WIRE LUG TERMINAL



PC TERMINAL



THIS DRAWING IS A CONTROLLED DOCUMENT.		DWN M. BINNER	OBAPR04	TE Connectivity Ltd.
DIMENSIONS: INCHES		CHK M. ZITTO	OBAPR04	
TOLERANCES UNLESS OTHERWISE SPECIFIED:		NAME		TOGGLE SWITCH, MTE SERIES VERTICAL MOUNT
0. PLC ± -		PRODUCT SPEC		
1. PLC ± -		APPLICATION SPEC		SIZE
2. PLC ± -		WEIGHT		A1
3. PLC ± .005		CUSTOMER DRAWING		00779
4. PLC ± -		SCALE		2:1
ANGLES ± -		SHEET		3 OF 3
MATERIAL		REV		C6
FINISH		DRAWING NO		6-1437558-8

X-ON Electronics

Largest Supplier of Electrical and Electronic Components

Click to view similar products for [Toggle Switches](#) category:

Click to view products by [TE Connectivity](#) manufacturer:

Other Similar products are found below :

[8928K478](#) [020017-13](#) [60012L](#) [6006L](#) [CS115W](#) [CS120W](#) [6663](#) [7101SPDV30BE](#) [7103SDV30BE](#) [7105D](#) [7108P3YAV2BE](#) [71YY50282](#)
[7300K36](#) [7301K38](#) [7306K36](#) [7310K36](#) [7506K4](#) [7592K6](#) [7660K12](#) [7691K14](#) [7700K1](#) [8391K108](#) [8396K108](#) [8811K17](#) [8824K14](#) [8828K13](#)
[8835K3](#) [8858K44](#) [PS83-121G](#) [1-1825192-0](#) [A201SCWZB04](#) [A207SYCB04](#) [A208J61ZQ0004](#) [A221T1TCQ](#) [A323S1CWZQ](#)
[A423S1CWZG-M8](#) [1201W](#) [12156AX408](#) [12147AGKX679](#) [12246X778](#) [12TW49-3D](#) [130312](#) [13037L](#) [13001X](#) [AE101MD1W4B04](#)
[AE208SD1W4B04](#) [MS24659-22D](#) [MS27407-5](#) [1520230-9](#) [1520231-1](#)