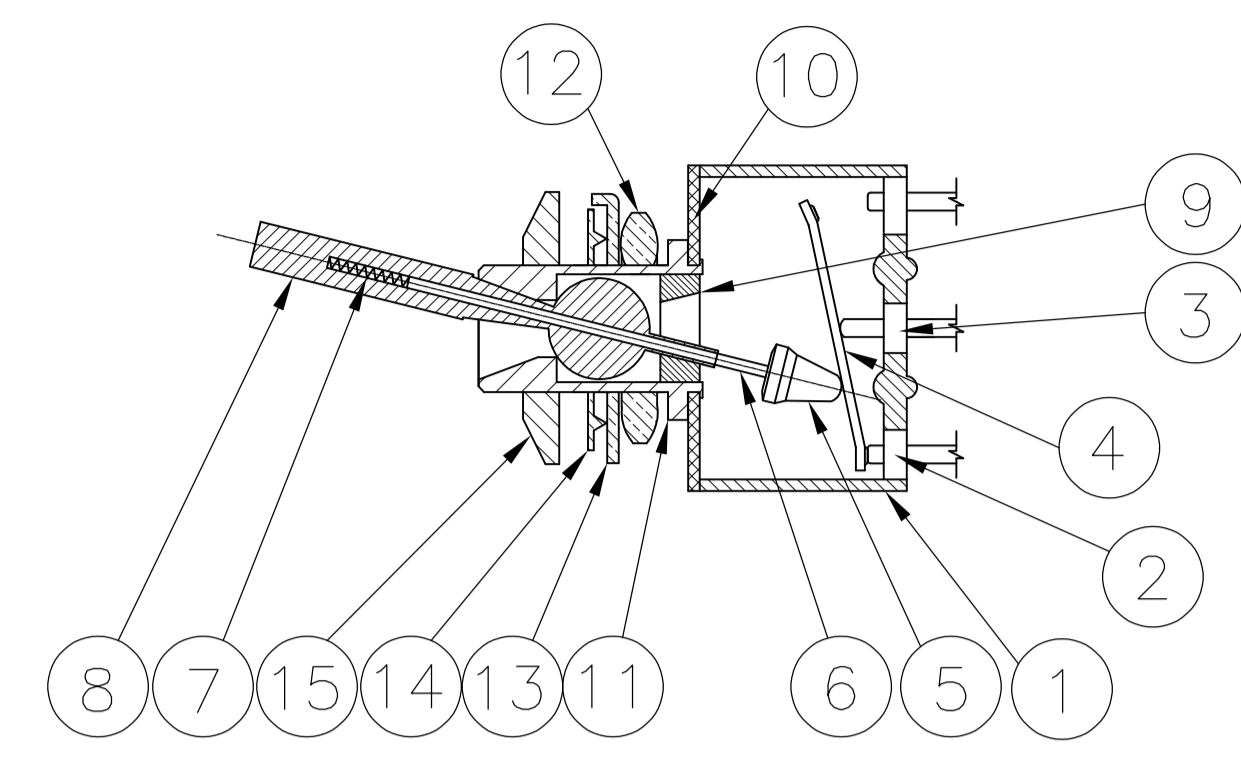
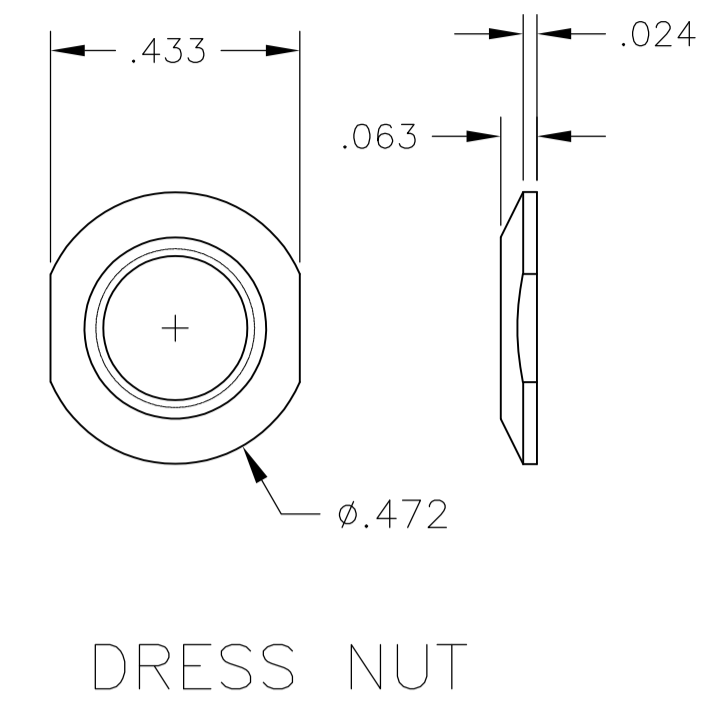
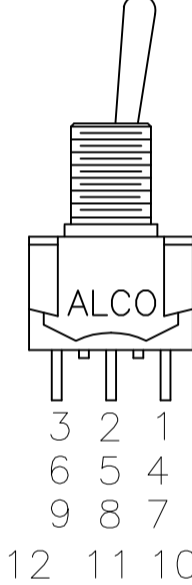
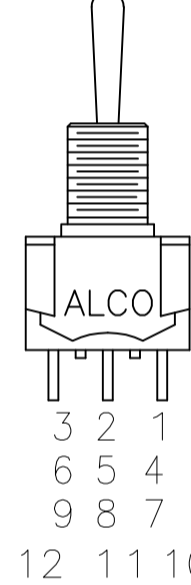
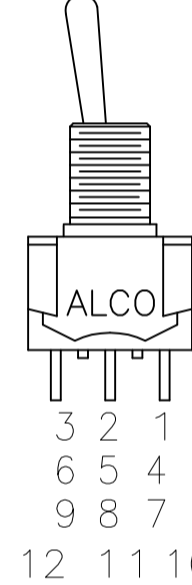


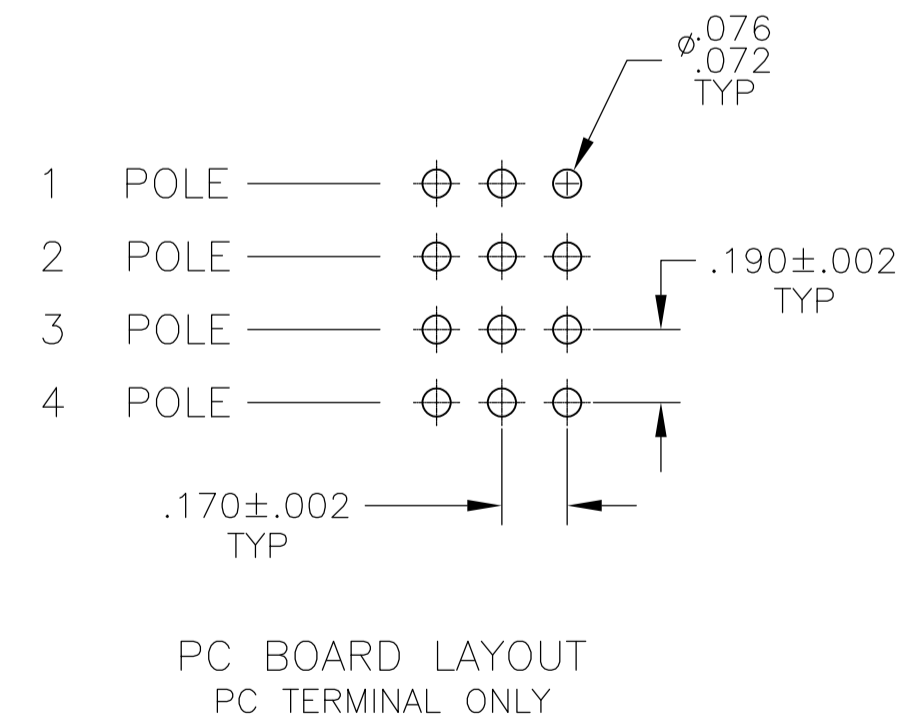
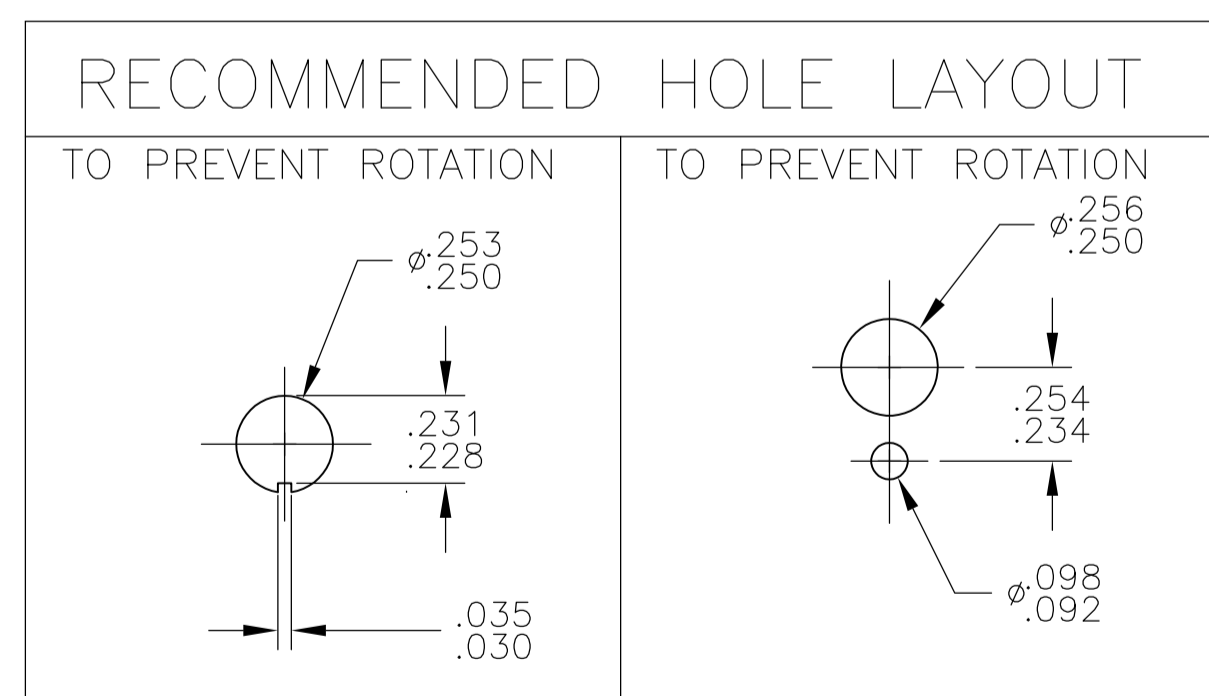
Materials			
No.	Component name	Base material	Finish
1	Housing	High Temp., UL 94V-0, green	
2	End terminal	silver clad copper alloy	5 microinches min. gold
3	Center terminal	copper alloy	5 microinches min. gold
4	Rocker contact	silver clad copper alloy	5 microinches min. gold
5	Actuator	Phenol resin, UL94 HB, black	
6	Plunger	stainless steel	
7	Spring	music wire	
8	Toggle	brass	nickel, see chart
9	Retainer	Polyamide, UL94 HB, black	
10	Frame	cold rolled steel	zinc or nickel
11	Bushing	brass	100 microinches min. nickel over 10 microinches min. copper
12	Mounting nuts (1)	brass	200 microinches min. bright nickel
13	Locating ring	cold rolled steel	zinc or nickel
14	Internal tooth lockwasher	steel	zinc or nickel
15	Dress Nut	Brass	200 microinches min bright nickel



NOT TO SCALE

Specifications—see note 3				
Current rating UL & CSA	6A @ 125 VAC (resistive)			
	3A @ 250 VAC (resistive)			
	4A @ 28 VDC (resistive)			
Termination resistance	20 milliohms max @ 2-4 VDC, 1A			
Insulation resistance	1,000 megohms min.			
Withstanding voltage	1,000 VAC			
Travel	24 +/-6 degrees			
Actuation force	.05 to 1.5 kgf			
Operating temperature	-20C to +85C			
Storage temperature	-40C to +85C			
Contact timing	break before make			
Terminal seal	epoxy or insert molded			
Durability	Parameter	2 Position	3 Position	Momentary
	mechanical (no load)	150,000	100,000	80,000
	250 VAC (3A resistive)	80,000	60,000	60,000
	125 VAC (6A resistive)	80,000	60,000	60,000
	28 VDC (4A resistive)	60,000	50,000	40,000

Part Number	Alco Model	Poles	Throws	Function	Terminal	Toggle	Finish				Comments
1437559-9	MTF426N	4	2	ON ON	Wire lug	bright nickel	2-3, 5-6, 8-9, 11-12	---	2-1, 5-4, 8-7, 11-10		
1437559-8	MTF406N	4	2	ON ON	Wire lug	matte nickel	2-3, 5-6, 8-9, 11-12	---	2-1, 5-4, 8-7, 11-10		
1437559-7	MTF326D	3	2	ON ON	Wire lug	bright nickel	2-3, 5-6, 8-9	---	2-1, 5-4, 8-7		
1437559-6	MTF306D	3	2	ON ON	Wire lug	matte nickel	2-3, 5-6, 8-9	---	2-1, 5-4, 8-7		
1437559-5	MTF226SA	1	3	(ON) ON (ON)	Wire lug	bright nickel	5-6	5-3	5-1	note 6	
1437559-4	MTF226S	2	2	(ON) OFF (ON)	Wire lug	bright nickel	2-3, 5-6	Off	2-1, 5-4		
1437559-3	MTF226R	2	2	ON (ON)	Wire lug	bright nickel	2-3, 5-6	---	2-1, 5-4		
1437559-2	MTF226PA	1	3	ON ON ON	Wire lug	bright nickel	5-6	5-3	5-1	note 6	
1437559-1	MTF226P	2	2	ON OFF ON	Wire lug	bright nickel	2-3, 5-6	Off	2-1, 5-4		
9-1437558-9	MTF226N	2	2	ON ON	Wire lug	bright nickel	2-3, 5-6	---	2-1, 5-4		
9-1437558-8	MTF206T	2	2	ON OFF (ON)	Wire lug	matte nickel	2-3, 5-6	Off	2-1, 5-4		
9-1437558-7	MTF206SA	1	3	(ON) ON (ON)	Wire lug	matte nickel	5-6	5-3	5-1	note 6	
9-1437558-6	MTF206S	2	2	(ON) OFF (ON)	Wire lug	matte nickel	2-3, 5-6	Off	2-1, 5-4		
9-1437558-5	MTF206R	2	2	ON (ON)	Wire lug	matte nickel	2-3, 5-6	---	2-1, 5-4		
9-1437558-4	MTF206PA	1	3	ON ON ON	Wire lug	matte nickel	5-6	5-3	5-1	note 6	
9-1437558-3	MTF206P	2	2	ON OFF ON	Wire lug	matte nickel	2-3, 5-6	Off	2-1, 5-4		
9-1437558-2	MTF206N	2	2	ON ON	Wire lug	matte nickel	2-3, 5-6	---	2-1, 5-4		
9-1437558-1	MTF126G	1	2	(ON) OFF (ON)	Wire lug	bright nickel	2-3	Off	2-1		
9-1437558-0	MTF126F	1	2	ON (ON)	Wire lug	bright nickel	2-3	---	2-1		
8-1437558-9	MTF126E	1	2	ON OFF ON	Wire lug	bright nickel	2-3	Off	2-1		
8-1437558-8	MTF126D	1	2	ON ON	Wire lug	bright nickel	2-3	---	2-1		
8-1437558-7	MTF106H	1	2	ON OFF (ON)	Wire lug	matte nickel	2-3	Off	2-1		
8-1437558-6	MTF106G	1	2	(ON) OFF (ON)	Wire lug	matte nickel	2-3	Off	2-1		
8-1437558-5	MTF106F	1	2	ON (ON)	Wire lug	matte nickel	2-3	---	2-1		
8-1437558-4	MTF106E	1	2	ON OFF ON	Wire lug	matte nickel	2-3	Off	2-1		
8-1437558-3	MTF106D	1	2	ON ON	Wire lug	matte nickel	2-3	---	2-1		



- NOTES:
- TERMINAL NUMBERS ARE FOR REFERENCE ONLY AND DO NOT APPEAR ON THE SWITCHES.
 - EACH SWITCH SUPPLIED WITH THE FOLLOWING MOUNTING HARDWARE:
 - (1) 1/4-40 UNS-2B HEX NUTS, (1) 1/4-40 UNS-2B DRESS NUTS
 - (1) INTERNAL TOOTH LOCKWASHER
 - (1) LOCATING RING
 - WIRE LUG CONTACTS WILL ACCEPT 2 #20 AWG SOLID OR STRANDED WIRES.
 - CUSTOMER INSTALLED EXTERNAL JUMPER BETWEEN TERMINALS 2 AND 4 REQUIRED FOR 1 POLE 3 THROW FUNCTION.
- 7 OBSOLETE
8. LASER MARKING USED FOR PARTS.

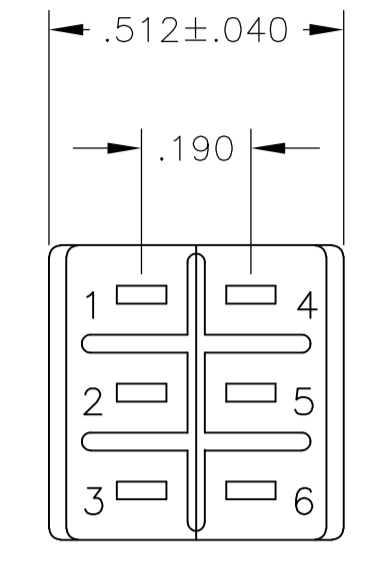
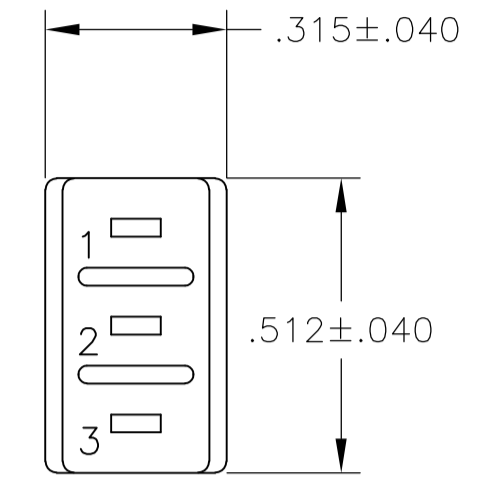
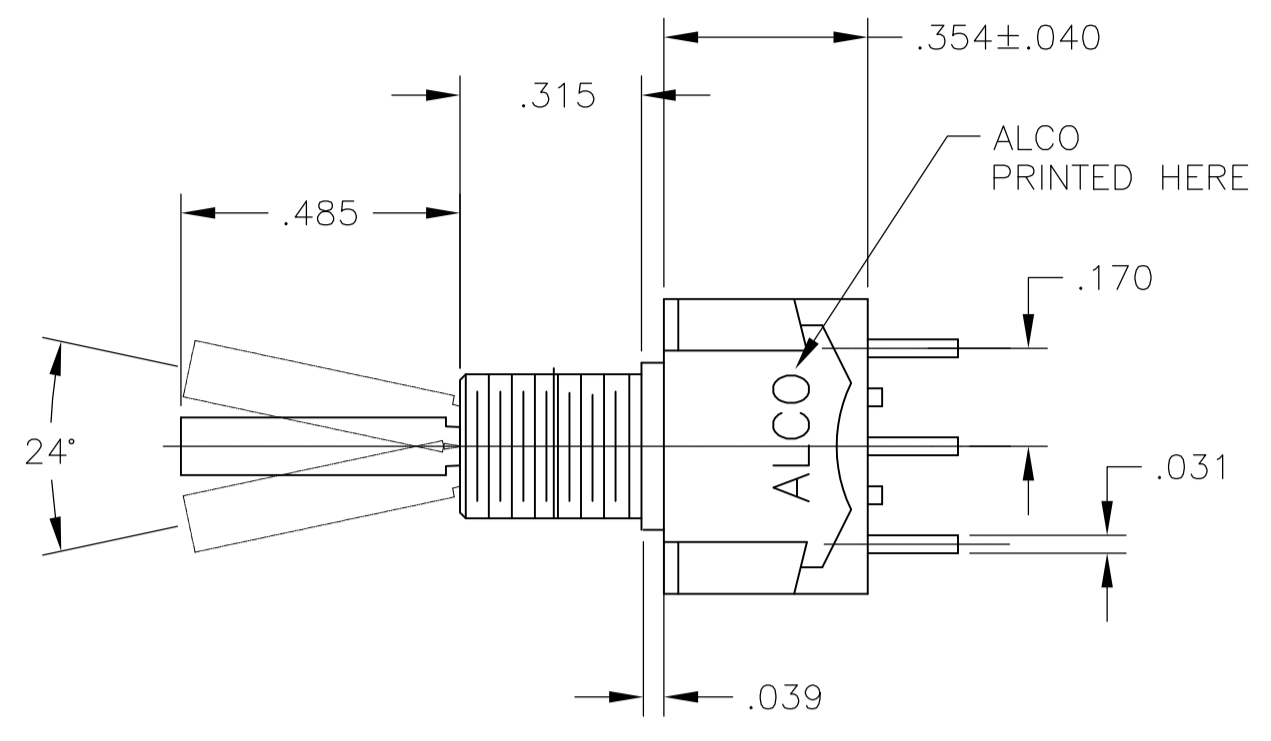
THIS DRAWING IS A CONTROLLED DOCUMENT.

DIMENSIONS: INCHES	TOLERANCES UNLESS OTHERWISE SPECIFIED:	DIN M. BINNER	OBAPR04
0 PLC ± -	1 PLC ± -	CHK: M. ZITTO	OBAPR04
2 PLC ± -	3 PLC ± .005	APPD: M. ZITTO	OBAPR04
4 PLC ± -	ANGLES ± -	NAME	
MATERIAL	FINISH	APPLICATION SPEC	
		SIZE	CAGE CODE
		WEIGHT	DRAWING NO
			RESTRICTED TO
		CUSTOMER DRAWING	SCALE 2:1 SHEET 1 OF 3 REV D3

STE TE Connectivity

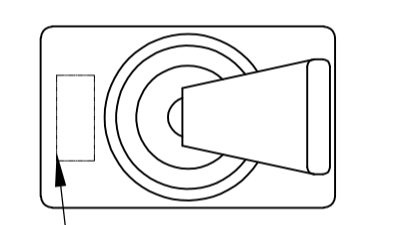
TOGGLE SWITCH, MTF SERIES VERTICAL MOUNT

SIZE: A1 00779 8-1437558-3

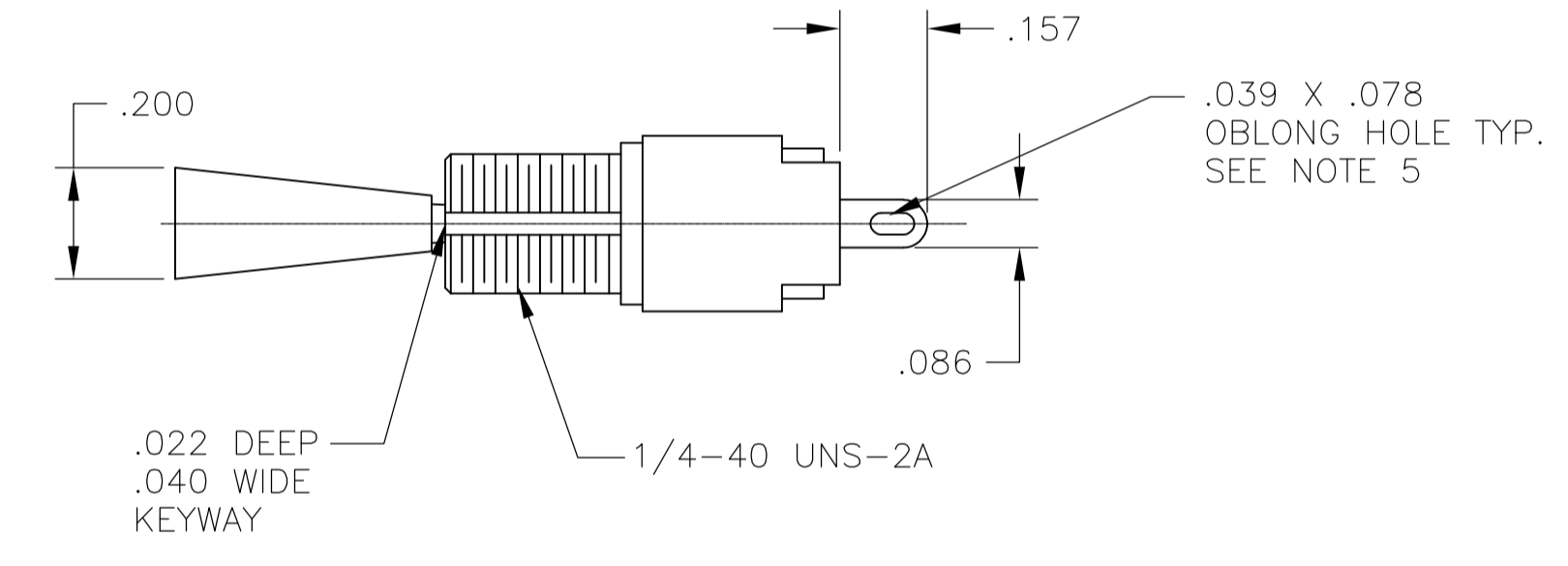


MTF-106

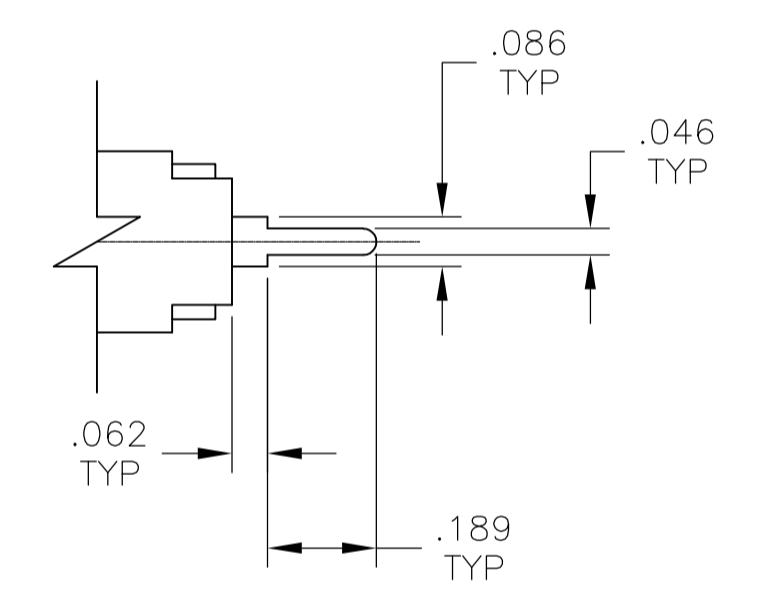
MTF-206



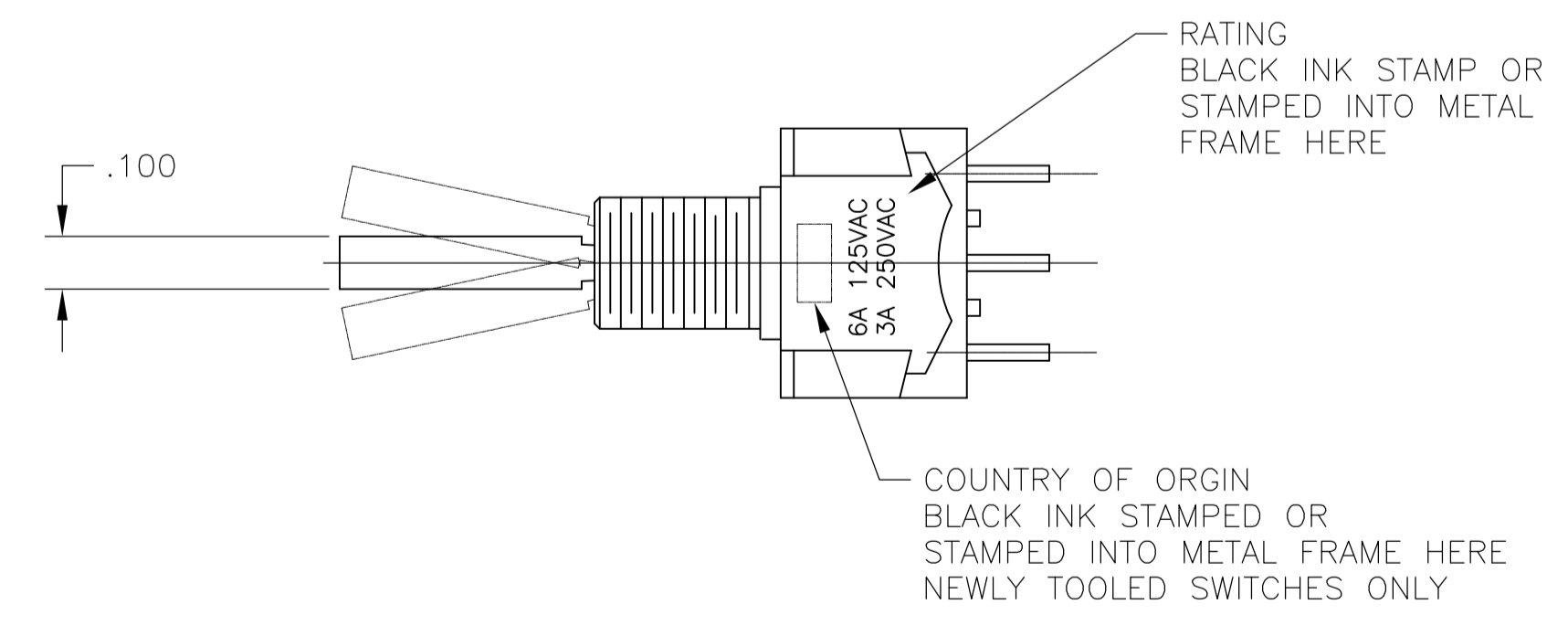
COUNTRY OF ORIGIN STAMPED HERE EXISTING SWITCHES ONLY



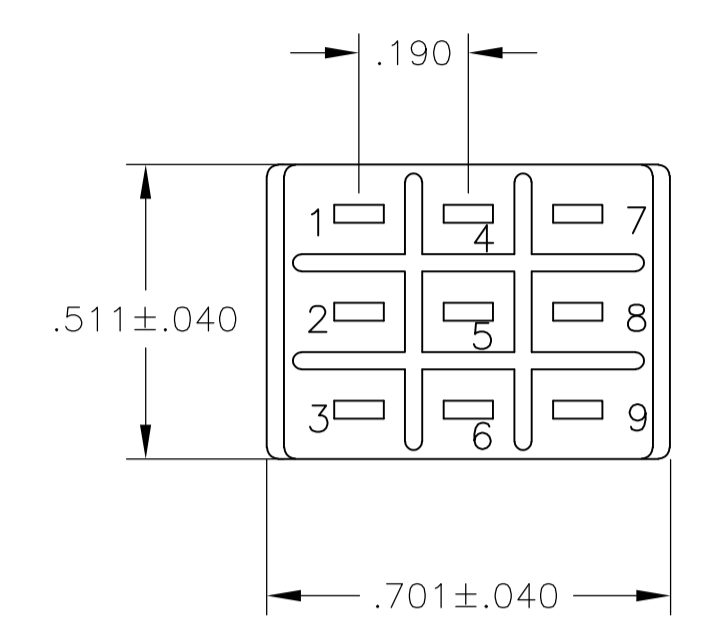
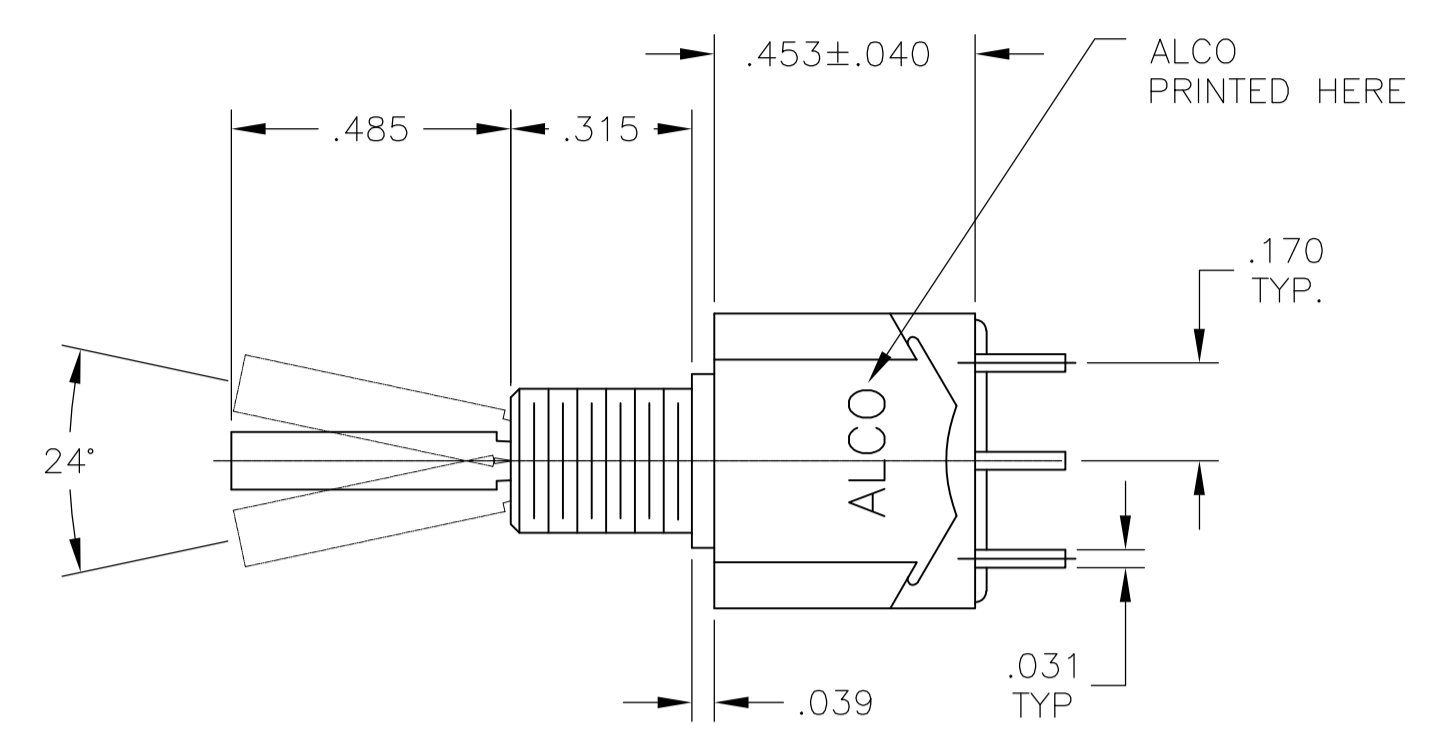
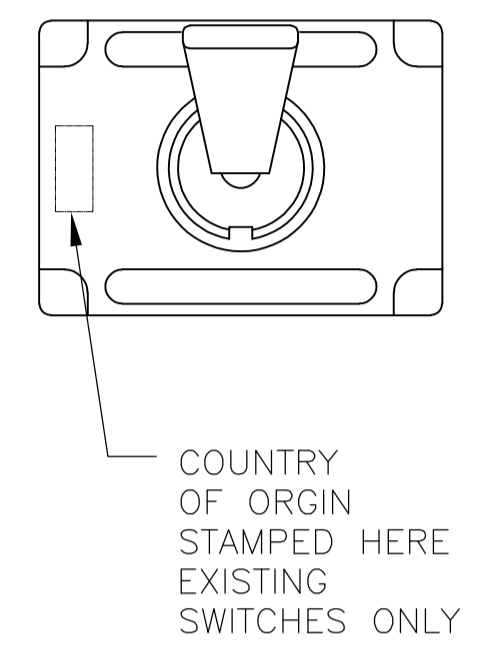
WIRE LUG TERMINAL



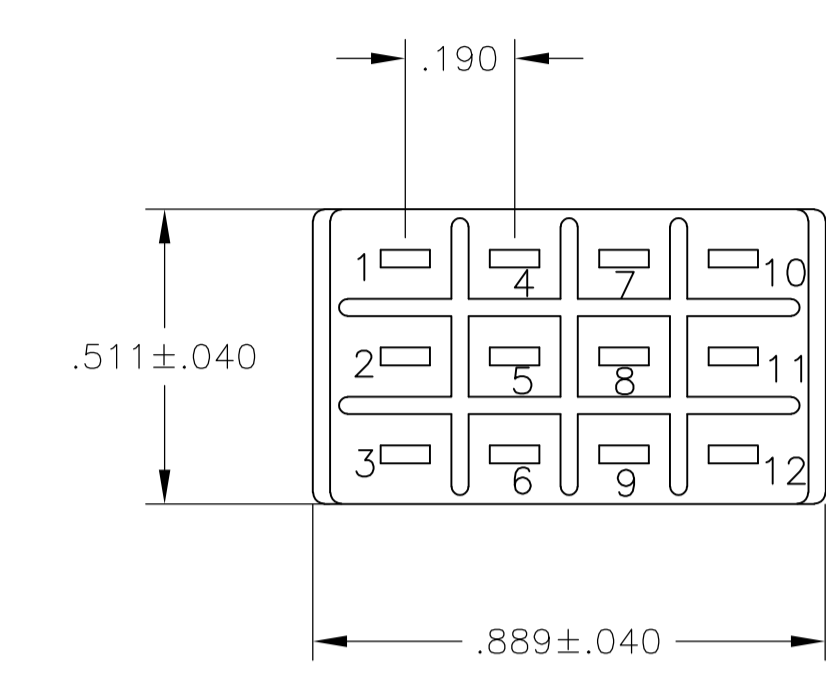
PC TERMINAL



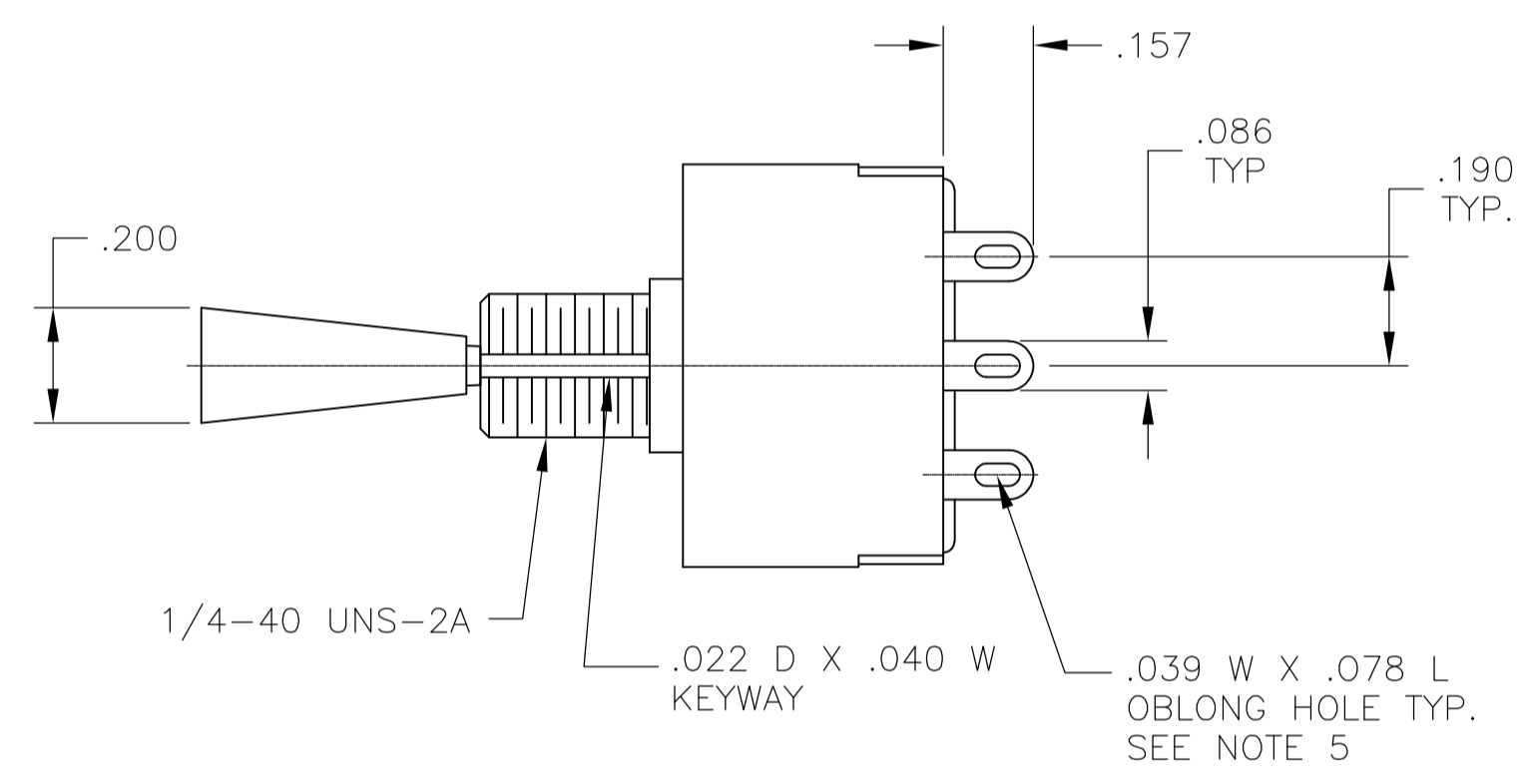
THIS DRAWING IS A CONTROLLED DOCUMENT.		DWN M. BINNER 08APR04	TE Connectivity	
DIMENSIONS: INCHES		CHK M. ZITTO 08APR04	NAME TOGGLE SWITCH, MTF SERIES VERTICAL MOUNT	
TOLERANCES UNLESS OTHERWISE SPECIFIED:		APP'D M. ZITTO 08APR04	PRODUCT SPEC	
0. PLC ± -		APPLICATION SPEC		
1. PLC ± -		SIZE		
2. PLC ± -		CAGE CODE		
3. PLC ± .005		DRAWING NO.		
4. PLC ± -		RESTRICTED TO		
ANGLES ± -		A1 00779		
FINISH -		8-1437558-3		
MATERIAL -		CUSTOMER DRAWING		
		SCALE 3:1 SHEET 2 OF 3 REV D3		



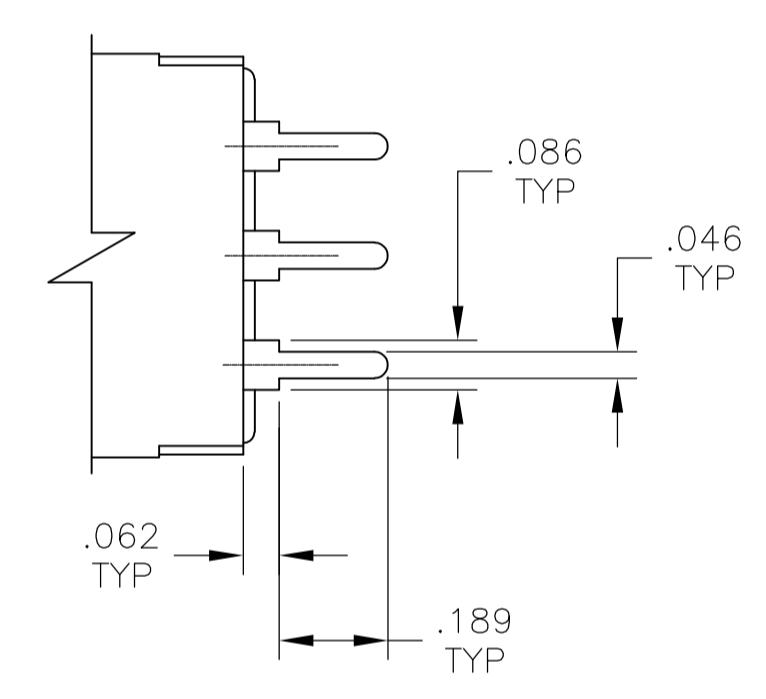
MTF-306



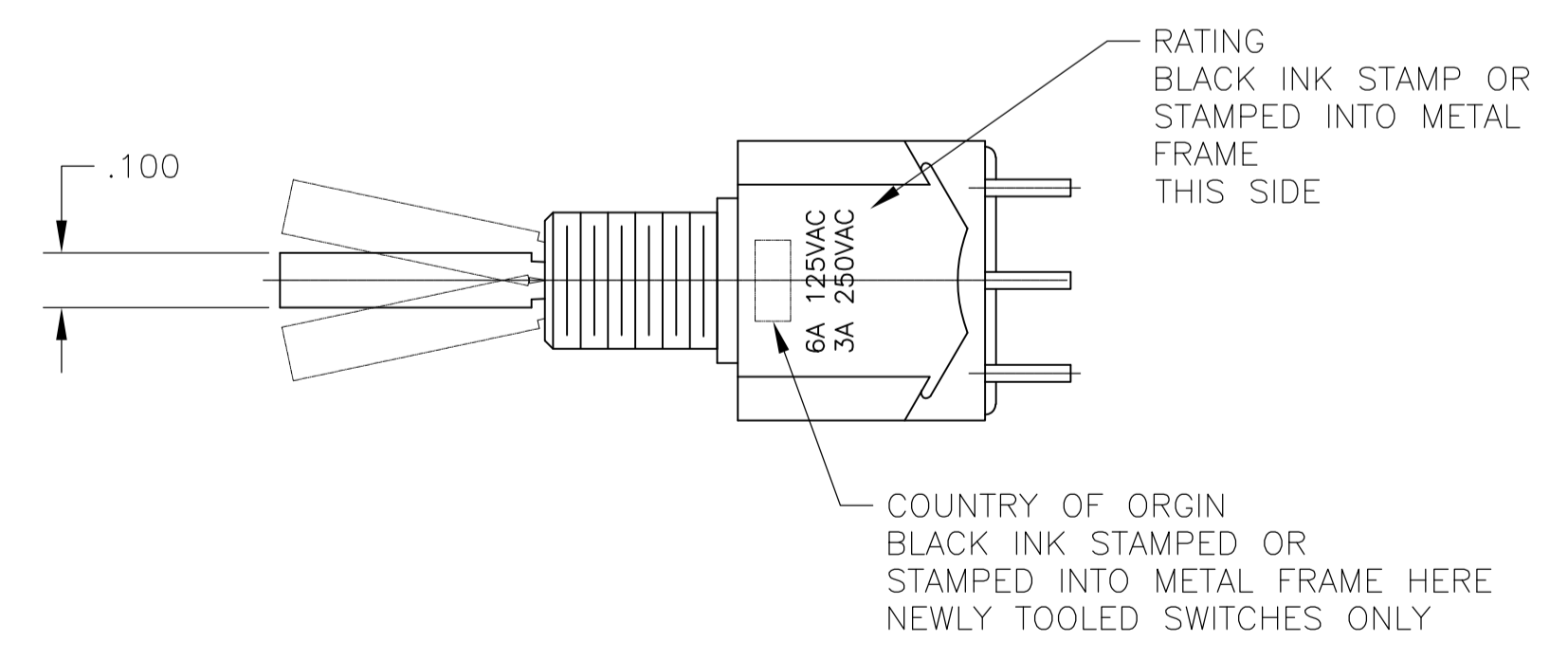
MTF-406



WIRE LUG TERMINAL



PC TERMINAL



THIS DRAWING IS A CONTROLLED DOCUMENT.		DIV M. BINNER	OBAPR04	 TE Connectivity
DIMENSIONS: INCHES		CHK M. ZITTO	OBAPR04	
TOLERANCES UNLESS OTHERWISE SPECIFIED:		NAME		TOGGLE SWITCH, MTF SERIES VERTICAL MOUNT
0. PLC ± - 1. PLC ± - 2. PLC ± - 3. PLC ± .005 4. PLC ± - ANGLES ± ± -		PRODUCT SPEC		
MATERIAL		APPLICATION SPEC		SIZE
FINISH		WEIGHT		CAGE CODE
		CUSTOMER DRAWING		DRAWING NO
		SCALE 3:1		RESTRICTED TO
		SHEET 3 OF 3		REV D3

X-ON Electronics

Largest Supplier of Electrical and Electronic Components

Click to view similar products for [Toggle Switches](#) category:

Click to view products by [TE Connectivity](#) manufacturer:

Other Similar products are found below :

[8928K478](#) [8A1-C-222](#) [020017-13](#) [60012L](#) [6006L](#) [CS115W](#) [CS120W](#) [6663](#) [7101SPDV30BE](#) [7103SDV30BE](#) [7105D](#) [7108P3YAV2BE](#)
[71YY50282](#) [7300K36](#) [7301K38](#) [7306K36](#) [7310K36](#) [7506K4](#) [7592K6](#) [7660K12](#) [7691K14](#) [7700K1](#) [8391K108](#) [8396K108](#) [8811K17](#)
[8812K14](#) [8824K14](#) [8828K13](#) [8835K3](#) [8858K44](#) [PS83-121G](#) [1-1825192-0](#) [A201SCWZB04](#) [A207SYCB04](#) [A208J61ZQ0004](#) [A221T1TCQ](#)
[A323S1CWZQ](#) [A423S1CWZG-M8](#) [1201W](#) [12156AX408](#) [12147AGKX679](#) [12246X778](#) [12TW49-3D](#) [130312](#) [13037L](#) [13001X](#)
[AE101MD1W4B04](#) [AE208SD1W4B04](#) [MS24659-22D](#) [MS27407-5](#)