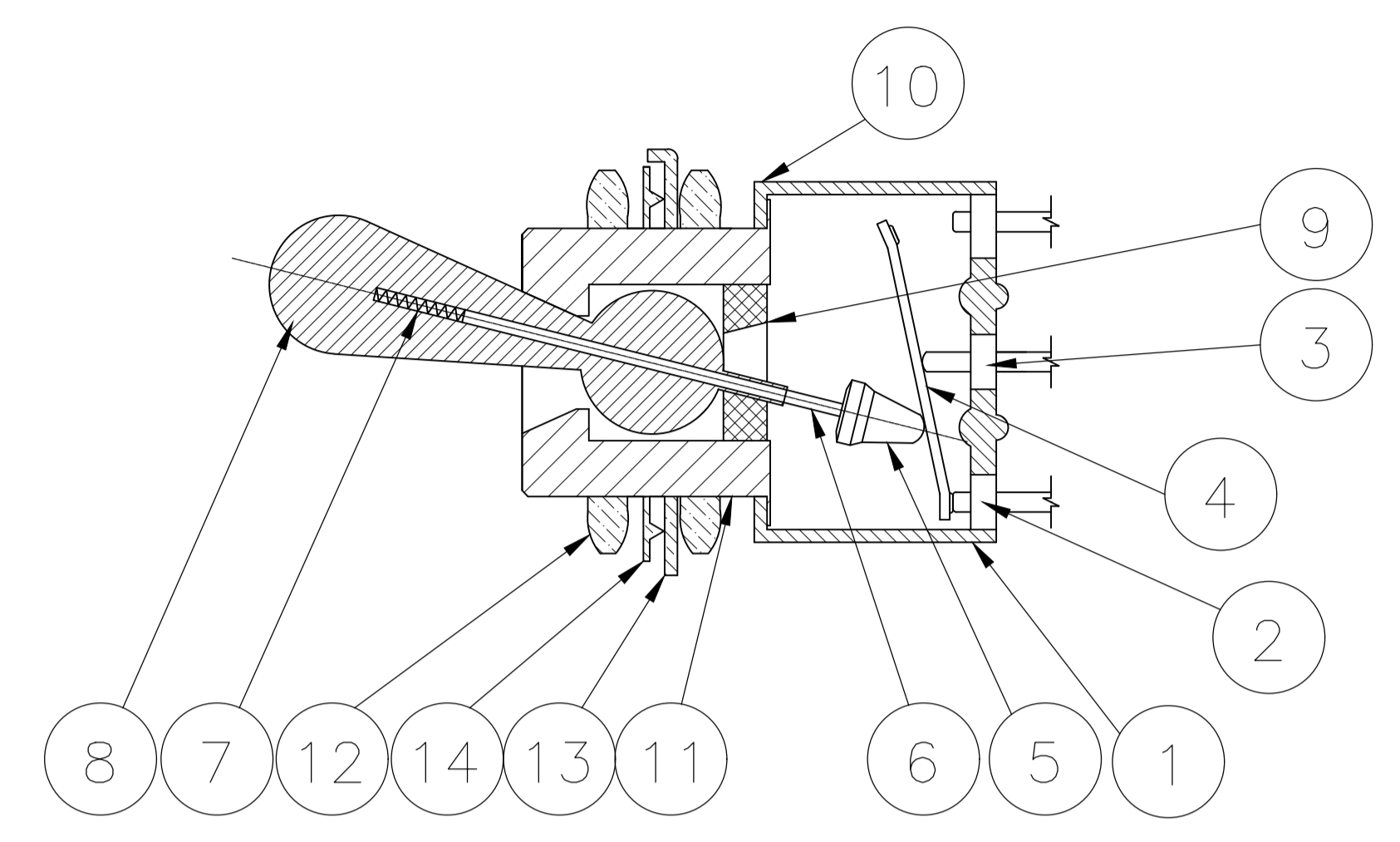


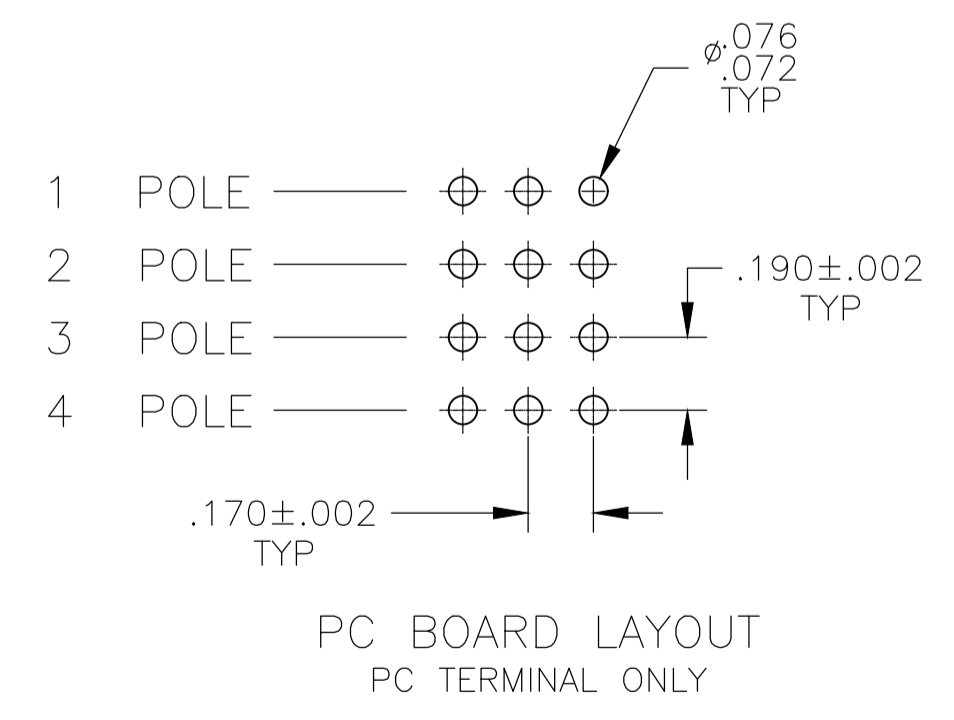
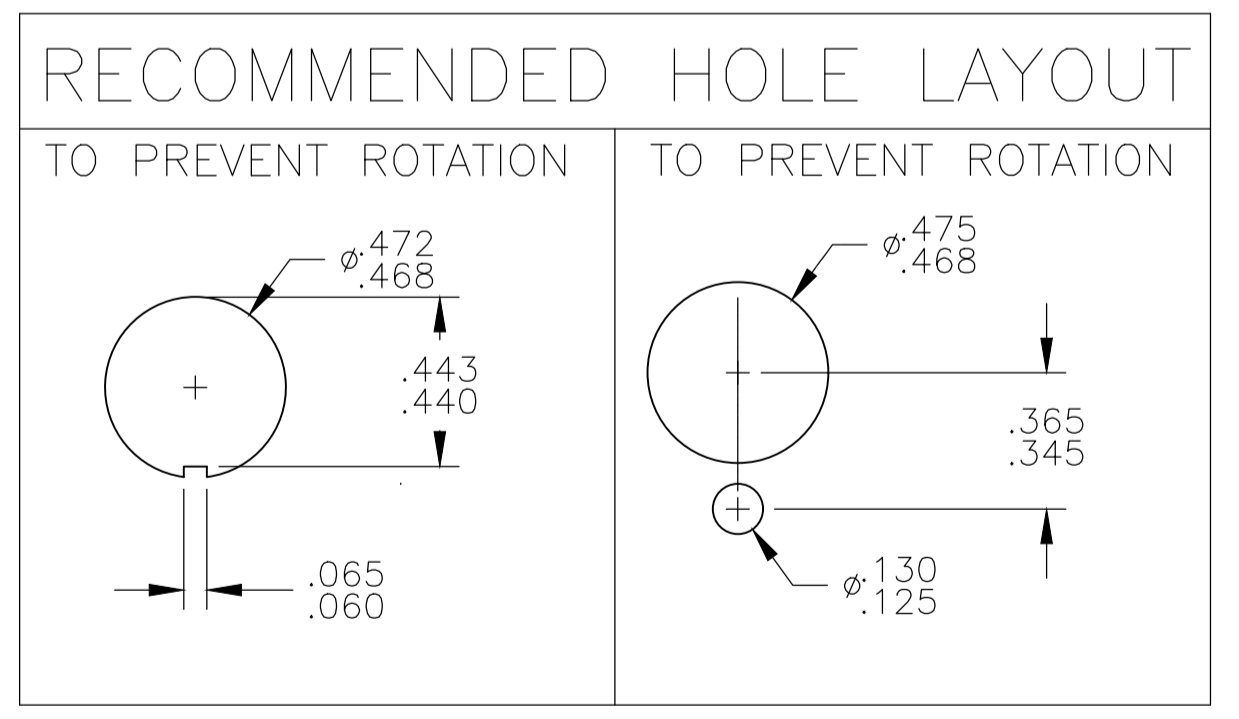
Materials			
No.	Component name	Base material	Finish
1	Housing	High Temp., UL 94V-0, green	
2	End terminal	silver clad copper alloy	5 microinches min. gold
3	Center terminal	copper alloy	5 microinches min. gold
4	Rocker contact	silver clad copper alloy	5 microinches min. gold
5	Actuator	Phenol resin, UL94 HB, black	
6	Plunger	stainless steel	
7	Spring	music wire	
8	Toggle	brass	chrome or Nickel
9	Retainer	Polyamide, UL94 HB, black	
10	Frame	cold rolled steel	zinc or Nickel
11	Bushing	brass	100 microinches min. nickel over 10 microinches min. copper
12	Mounting nuts (2)	brass	200 microinches min. bright nickel
13	Locating ring	cold rolled steel	zinc or Nickel
14	Internal tooth lockwasher	steel	zinc or Nickel



NOT TO SCALE

Specifications—see note 3				
Current rating UL & CSA	6A @ 125 VAC (resistive)			
	3A @ 250 VAC (resistive)			
	4A @ 28 VDC (resistive)			
Termination resistance	20 milliohms max @ 2-4 VDC, 1A			
Insulation resistance	1,000 megohms min.			
Withstanding voltage	1,000 VAC			
Travel	24 +/- 6 degrees			
Actuation force	.05 to 1.5 kgf			
Operating temperature	-20C to +85C			
Storage temperature	-40C to +85C			
Contact timing	break before make			
Terminal seal	epoxy or insert molded			
Durability	Parameter	2 Position	3 Position	Momentary
	mechanical (no load)	150,000	100,000	80,000
	250 VAC (3A resistive)	80,000	60,000	60,000
	125 VAC (6A resistive)	80,000	60,000	60,000
	28 VDC (4A resistive)	60,000	50,000	40,000

Part Number	Alco Model	Poles	Throws	Function	Terminal	A	Diagram 1	Diagram 2	Diagram 3	Comments
3-1437559-2	MTG406P	4	2	ON OFF ON	Wire lug	.453	2-3, 5-6, 8-9, 11-12	Off	2-1, 5-4, 8-7, 11-10	
3-1437559-3	MTG426N	4	2	ON ON	Wire lug	.685	2-3, 5-6, 8-9, 11-12	---	2-1, 5-4, 8-7, 11-10	
3-1437559-1	MTG406N	4	2	ON ON	Wire lug	.453	2-3, 5-6, 8-9, 11-12	---	2-1, 5-4, 8-7, 11-10	
2-1437559-9	MTG306E	3	2	ON OFF ON	Wire lug	.453	2-3, 5-6, 8-9	Off	2-1, 5-4, 8-7	
3-1437559-0	MTG326D	3	2	ON ON	Wire lug	.685	2-3, 5-6, 8-9	---	2-1, 5-4, 8-7	
2-1437559-8	MTG306D	3	2	ON ON	Wire lug	.453	2-3, 5-6, 8-9	---	2-1, 5-4, 8-7	
2-1437559-7	MTG226PA	1	3	ON ON ON	Wire lug	.685	5-6	5-3	5-1	note 6
2-1437559-6	MTG226P	2	2	ON OFF ON	Wire lug	.685	2-3, 5-6	Off	2-1, 5-4	
2-1437559-5	MTG226N	2	2	ON ON	Wire lug	.685	2-3, 5-6	---	2-1, 5-4	
2-1437559-4	MTG206T	2	2	ON OFF(ON)	Wire lug	.453	2-3, 5-6	Off	2-1, 5-4	
2-1437559-3	MTG206S	2	2	(ON) OFF (ON)	Wire lug	.453	2-3, 5-6	Off	2-1, 5-4	
2-1437559-2	MTG206R	2	2	ON (ON)	Wire lug	.453	2-3, 5-6	---	2-1, 5-4	
2-1437559-1	MTG206PA	1	3	ON ON ON	Wire lug	.453	5-6	5-3	5-1	note 6
2-1437559-0	MTG206P	2	2	ON OFF ON	Wire lug	.453	2-3, 5-6	Off	2-1, 5-4	
1-1437559-9	MTG206NPC	2	2	ON ON	PC	.453	2-3, 5-6	---	2-1, 5-4	
1-1437559-8	MTG206N	2	2	ON ON	Wire lug	.453	2-3, 5-6	---	2-1, 5-4	
1-1437559-0	MTG126G	1	2	(ON) OFF (ON)	Wire lug	.685	2-3	Off	2-1	
1-1437559-7	MTG126E	1	2	ON OFF ON	Wire lug	.685	2-3	Off	2-1	
1-1437559-6	MTG126D	1	2	ON ON	Wire lug	.685	2-3	---	2-1	
1-1437559-5	MTG106H	1	2	ON OFF(ON)	Wire lug	.453	2-3	Off	2-1	
1-1437559-4	MTG106G	1	2	(ON) OFF (ON)	Wire lug	.453	2-3	Off	2-1	
1-1437559-3	MTG106F	1	2	ON (ON)	Wire lug	.453	2-3	---	2-1	
1-1437559-2	MTG106E	1	2	ON OFF ON	Wire lug	.453	2-3	Off	2-1	
1-1437559-1	MTG106D	1	2	ON ON	Wire lug	.453	2-3	---	2-1	



- NOTES:
- TERMINAL NUMBERS ARE FOR REFERENCE ONLY AND DO NOT APPEAR ON THE SWITCHES.
 - EACH SWITCH SUPPLIED WITH THE FOLLOWING MOUNTING HARDWARE:
 - (2) 15/32-32 UNS-2B HEX NUTS
 - (1) INTERNAL TOOTH LOCKWASHER
 - (1) LOCATING RING
 - WIRE LUG CONTACTS WILL ACCEPT 2 #20 AWG SOLID OR STRANDED WIRES.
 - CUSTOMER INSTALLED EXTERNAL JUMPER BETWEEN TERMINALS 2 AND 4 REQUIRED FOR 1 POLE 3 THROW FUNCTION.
 - OBSOLETE
 - LASER MARKING USED FOR PARTS.

THIS DRAWING IS A CONTROLLED DOCUMENT.

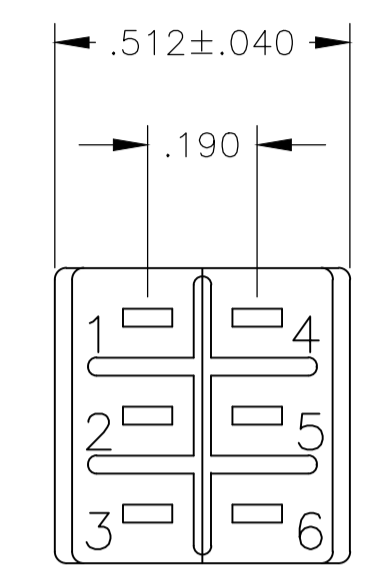
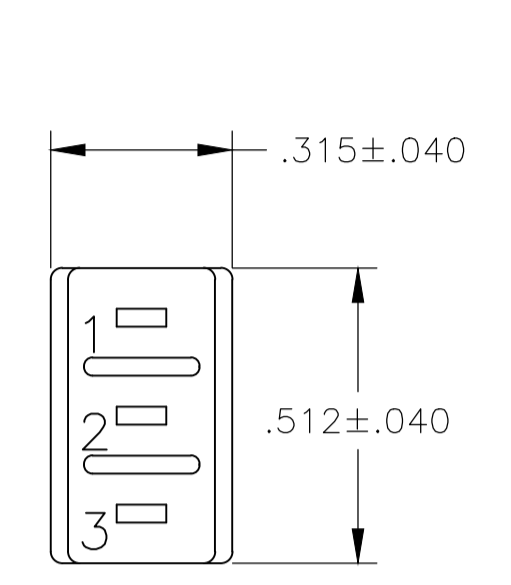
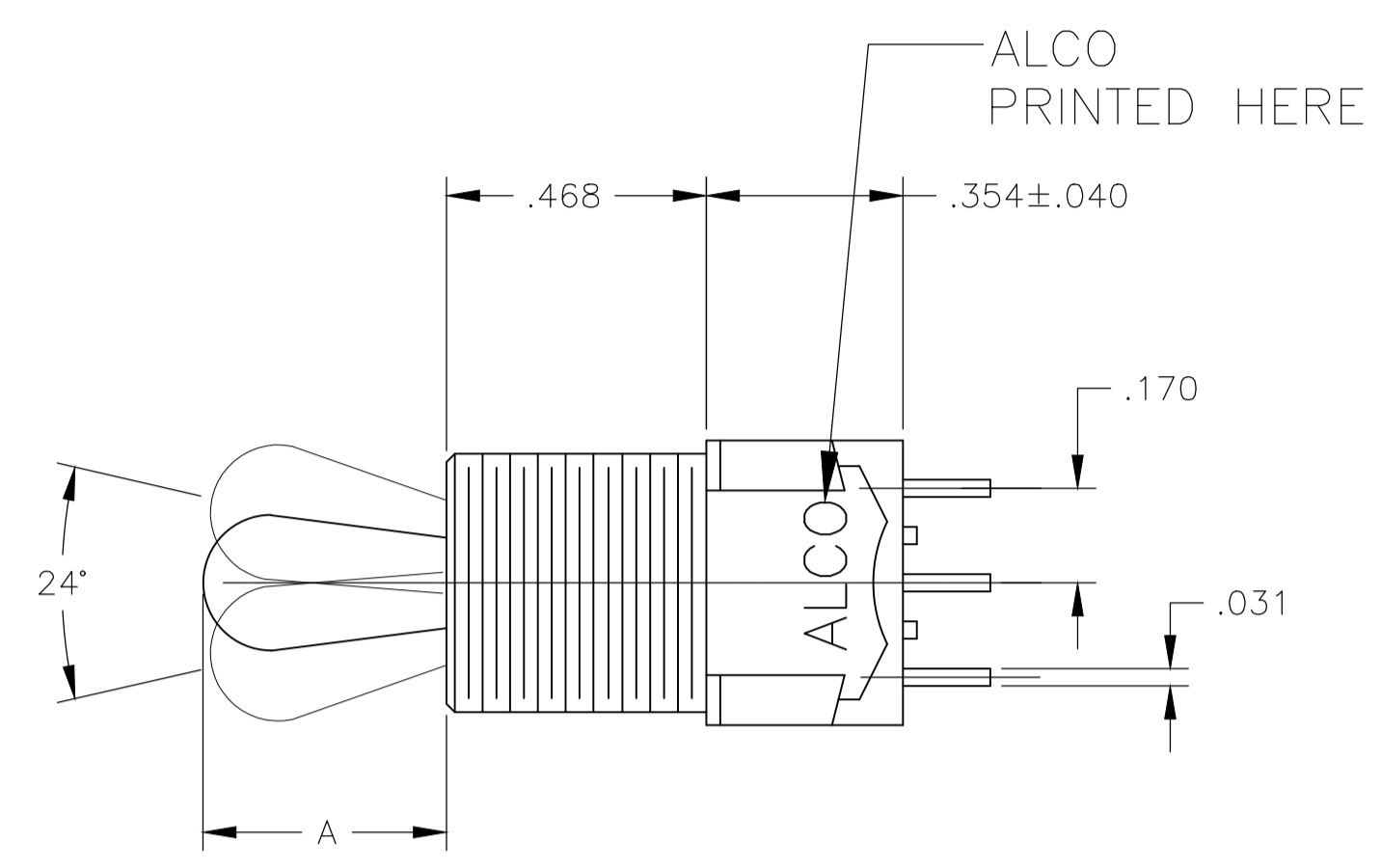
DIN M. BINNER 29DEC03
 CHK: M. ZITTO 29DEC03
 APPV: M. ZITTO 29DEC03

TE Connectivity Ltd.

TOGGLE SWITCH, MTG SERIES
 VERTICAL MOUNT

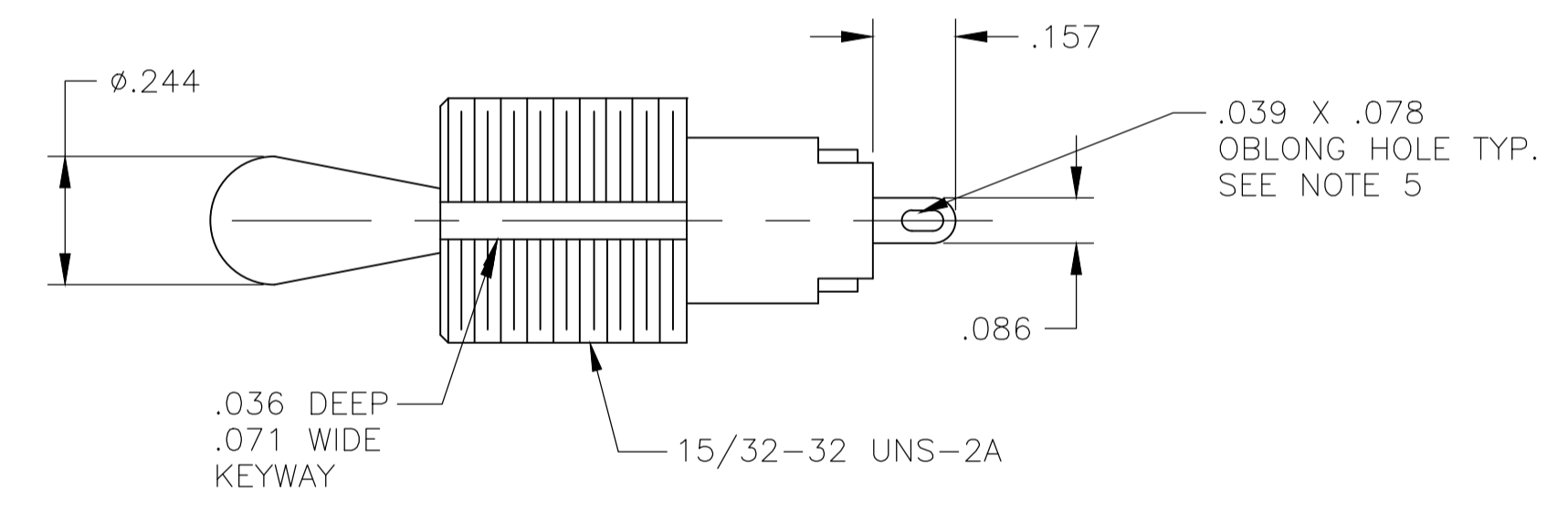
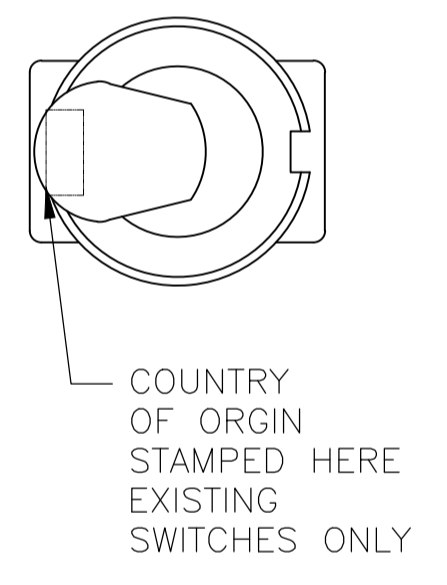
SIZE: A1 CASE CODE: 00779 DRAWING NO: 1-1437559-1
 WEIGHT: CUSTOMER DRAWING SCALE: 2:1 SHEET: 1 OF 3 REV: D6

REVISIONS				
P	LYR	DESCRIPTION	DATE	OWN
-	-	SEE SHEET 1	-	-

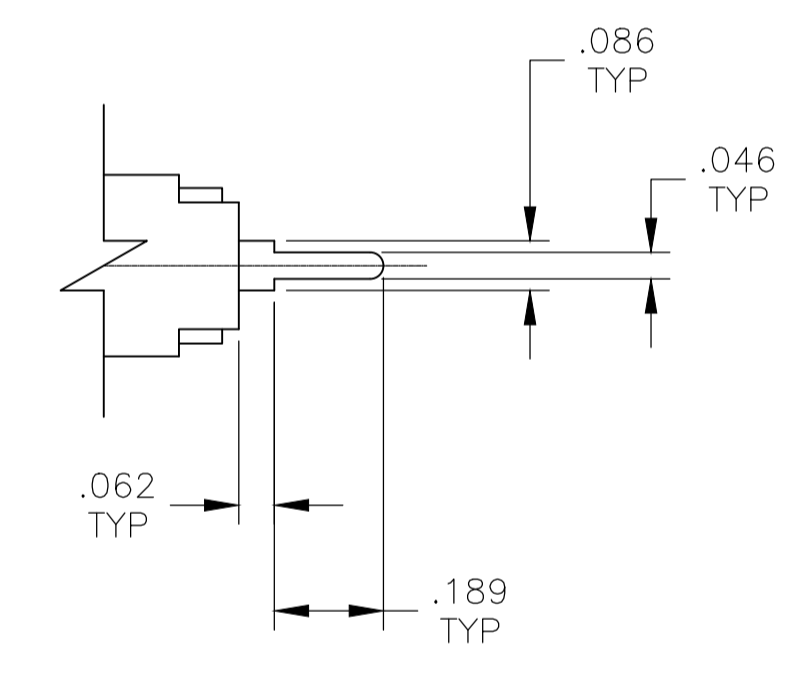


MTG-106

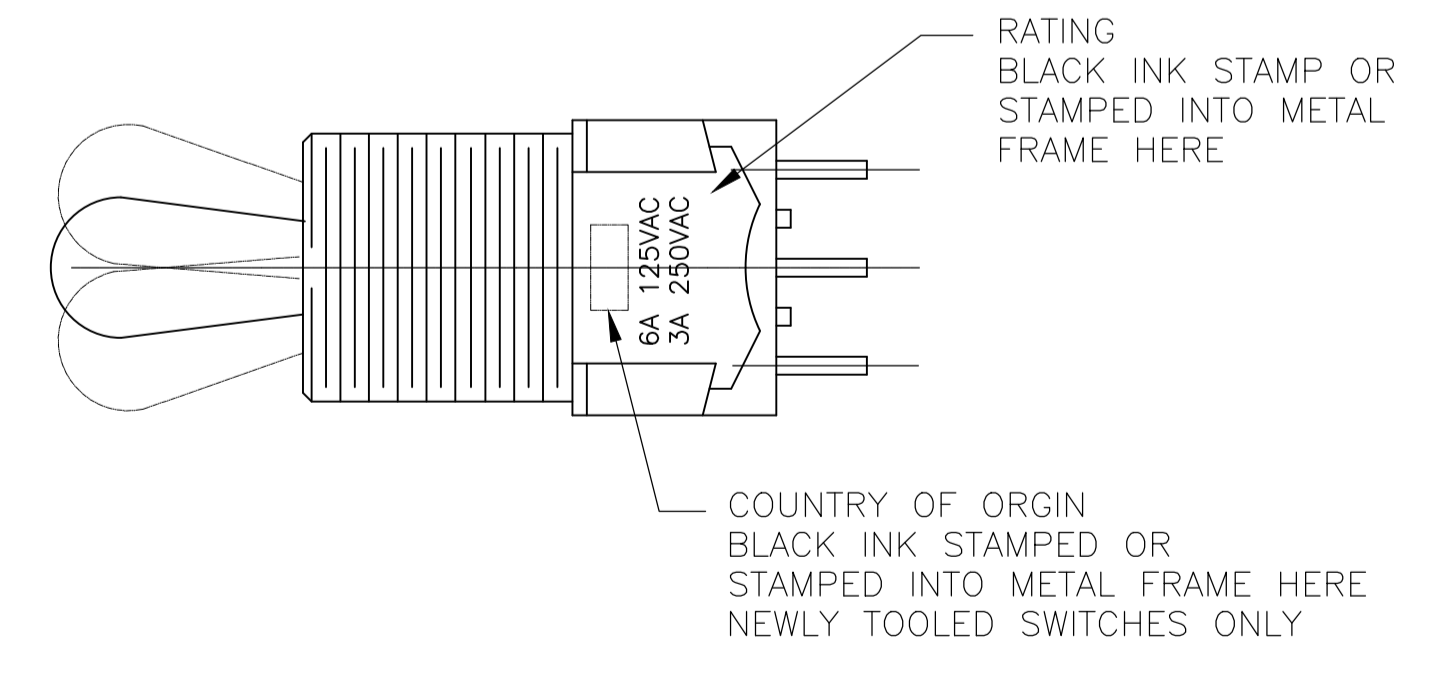
MTG-206



WIRE LUG TERMINAL

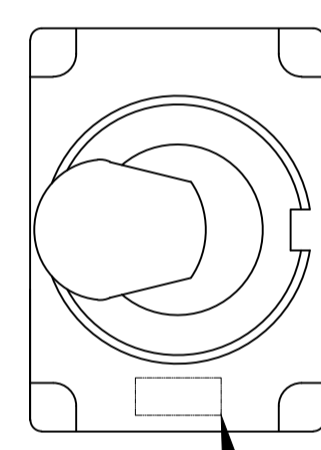
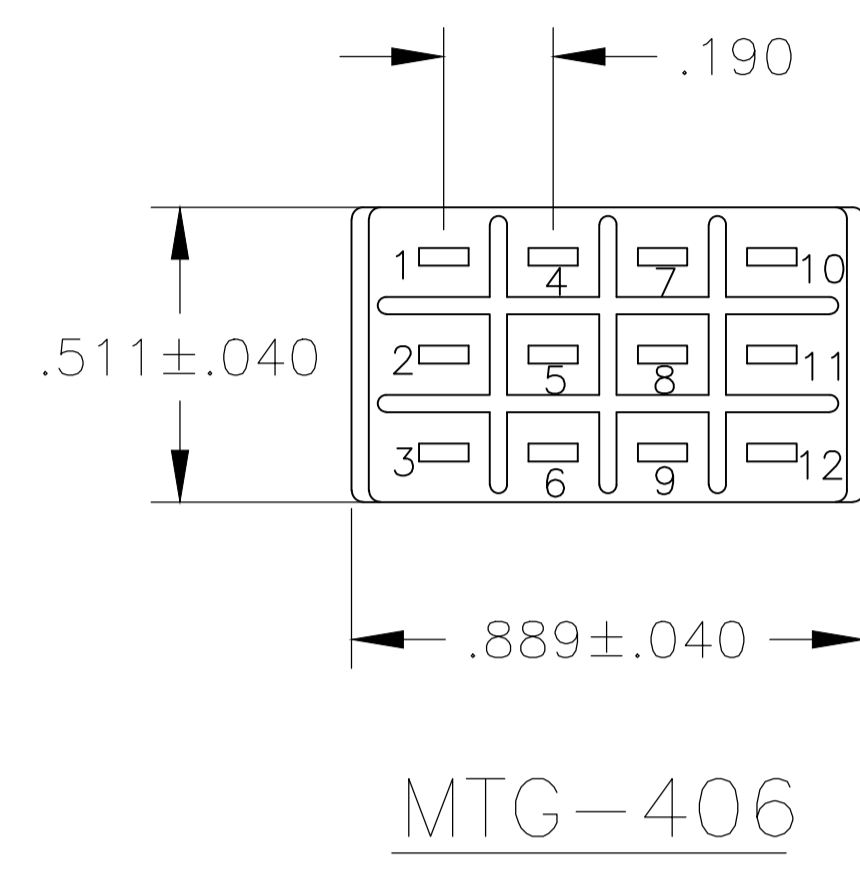
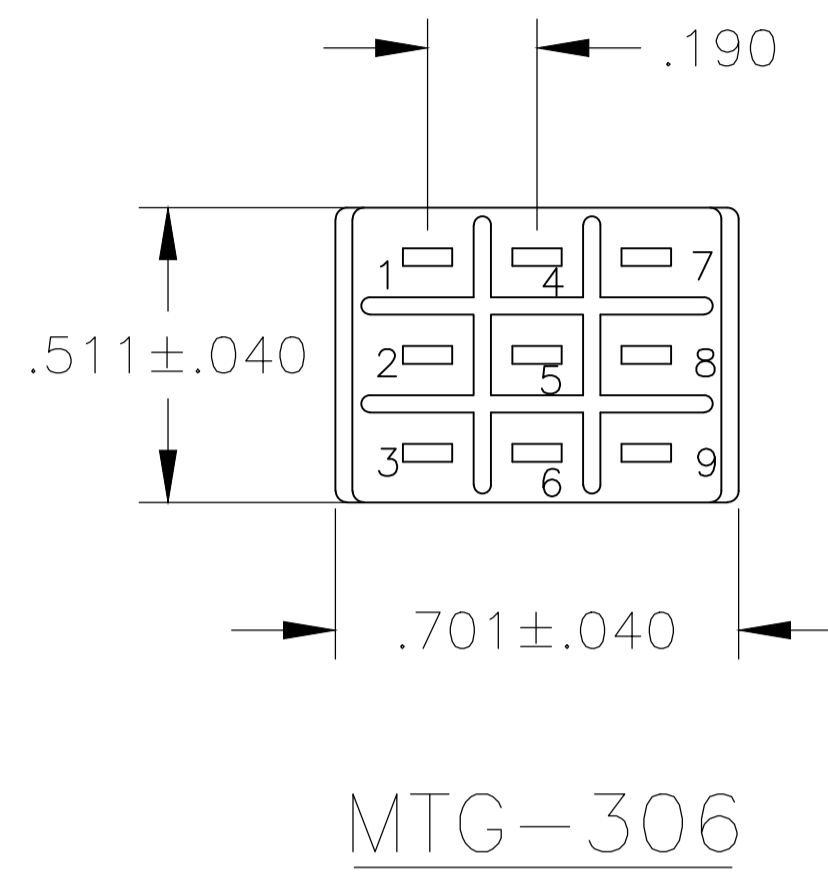
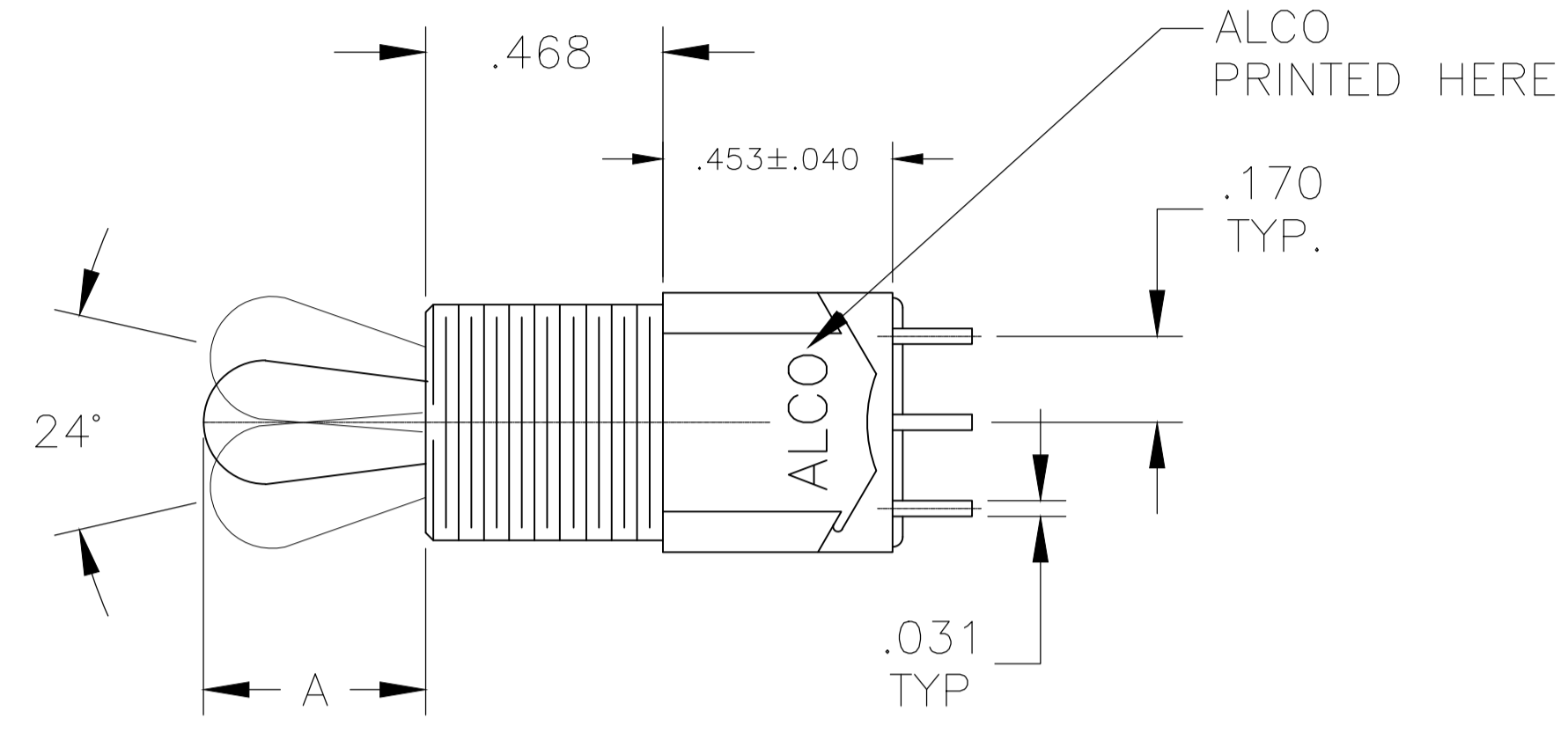


PC TERMINAL

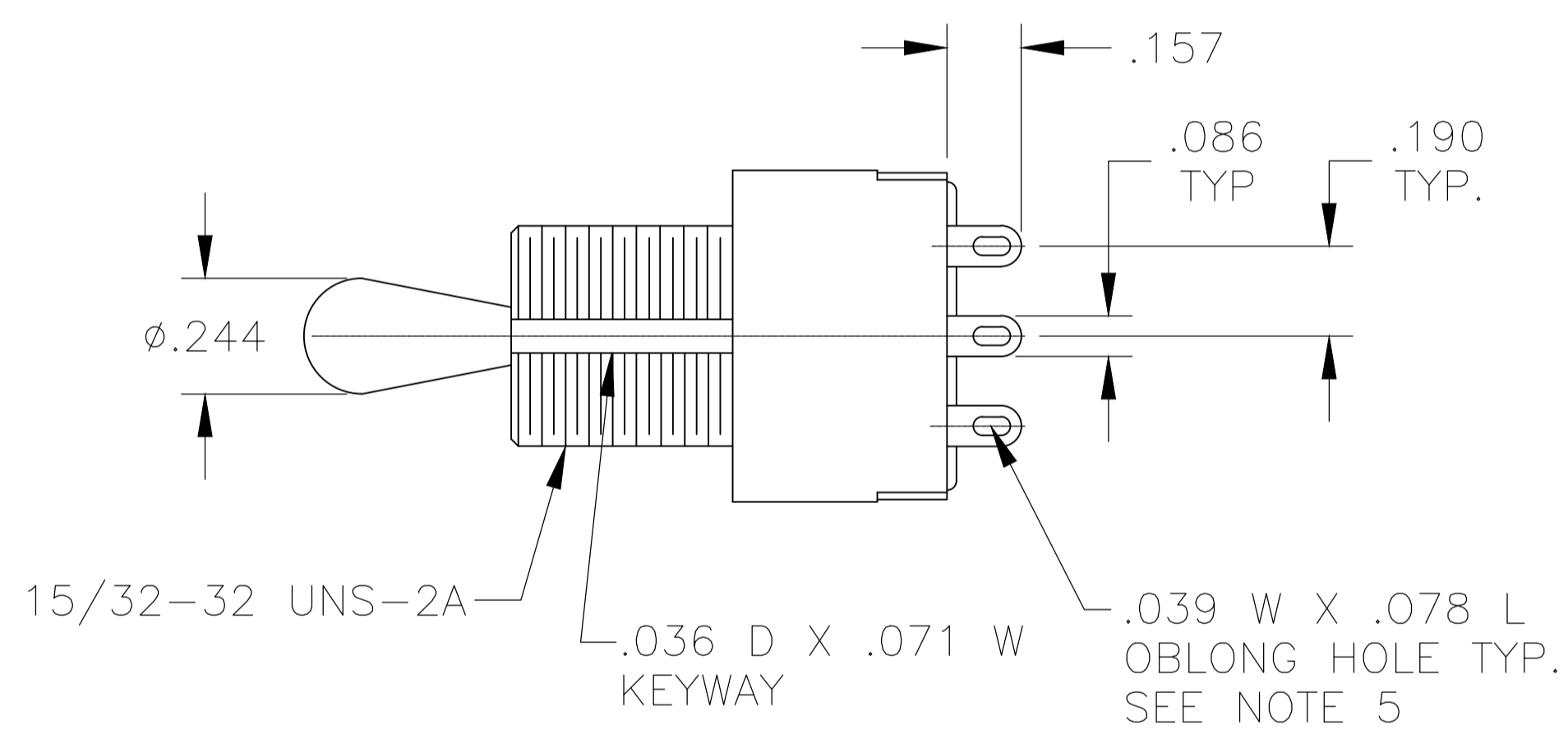


THIS DRAWING IS A CONTROLLED DOCUMENT.		DWG: M. BINNER 29DEC03	TE Connectivity Ltd.
DIMENSIONS: INCHES		CHK: M. ZITTO 29DEC03	
TOLERANCES UNLESS OTHERWISE SPECIFIED:		APP'D: M. ZITTO 29DEC03	NAME: TOGGLE SWITCH, MTG SERIES VERTICAL MOUNT
0. PLC ± -	1. PLC ± -	PRODUCT SPEC	APPLICATION SPEC
2. PLC ± -	3. PLC ± .005	SIZE: A1	CAGE CODE: 1-1437559-1
4. PLC ± -	ANGLES ± -	WEIGHT	RESTRICTED TO
MATERIAL	FINISH	CUSTOMER DRAWING	SCALE: 3:1 SHEET: 2 OF 3 REV: D6

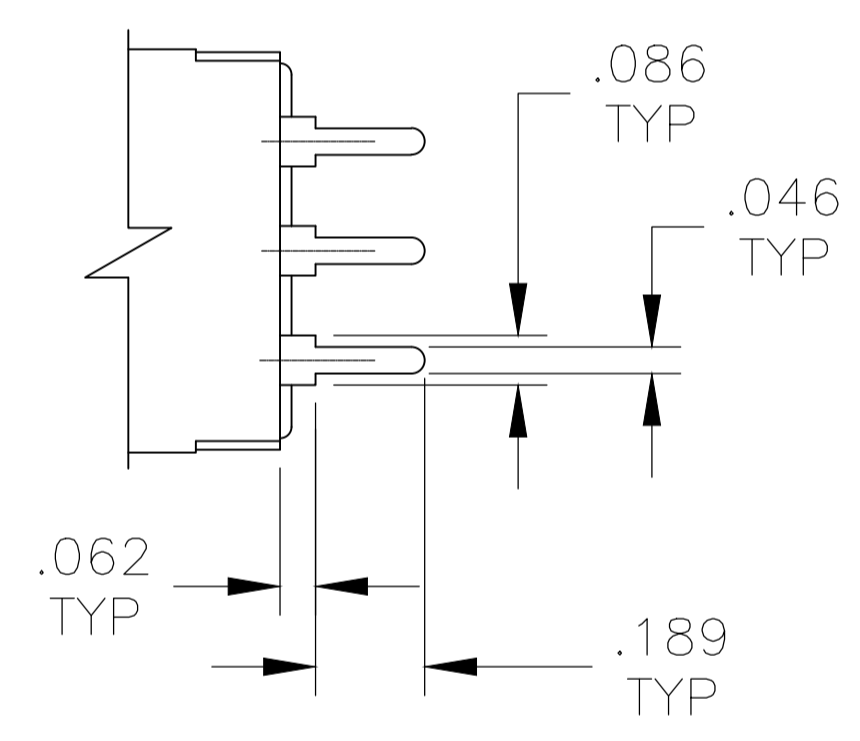
REVISIONS				
P	LTR	DESCRIPTION	DATE	OWN
-	-	SEE SHEET 1	-	-



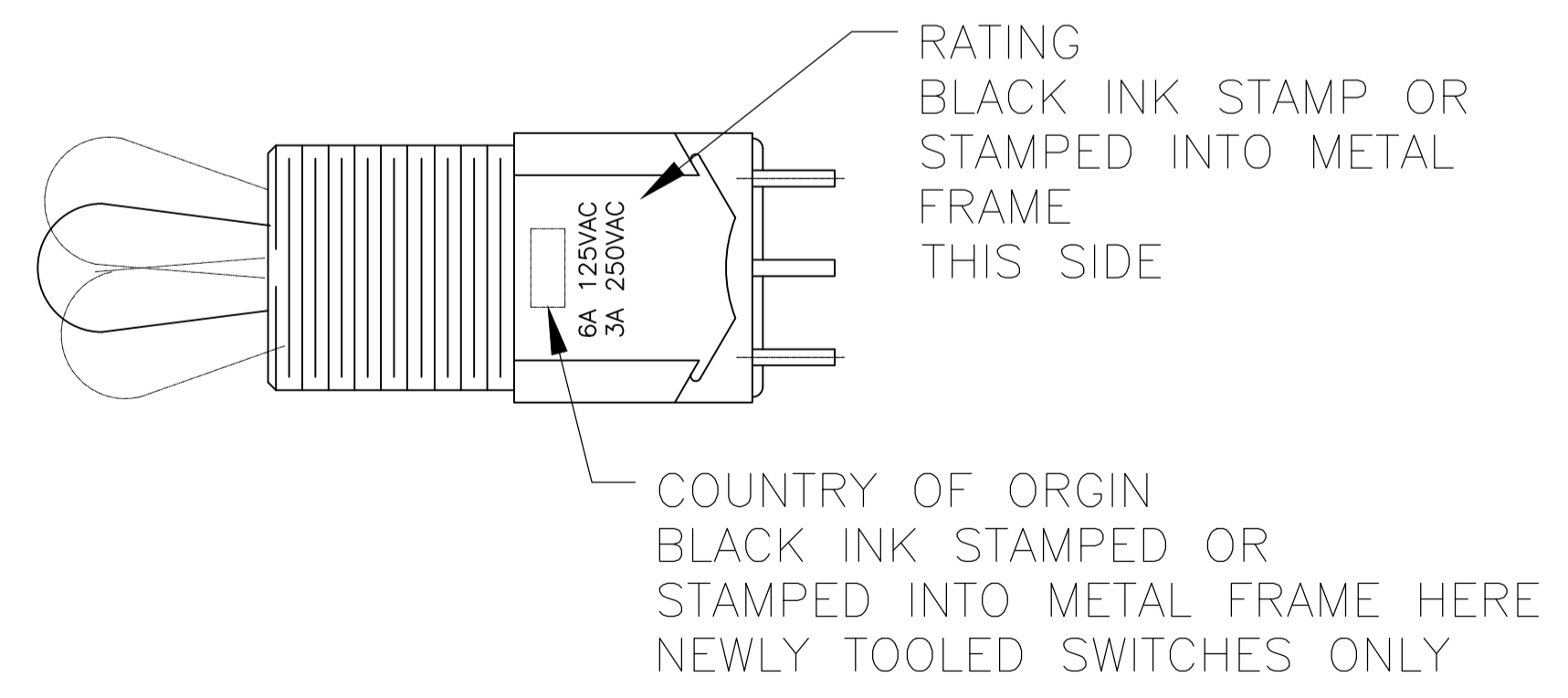
COUNTRY OF ORIGIN STAMPED HERE EXISTING SWITCHES ONLY



WIRE LUG TERMINAL



PC TERMINAL



THIS DRAWING IS A CONTROLLED DOCUMENT.		DIN M. BINNER 29DEC03	TE Connectivity Ltd.
DIMENSIONS: INCHES		CHK M. ZITTO 29DEC03	
TOLERANCES UNLESS OTHERWISE SPECIFIED:		NAME M. ZITTO 29DEC03	TOGGLE SWITCH, MTG SERIES VERTICAL MOUNT
0. PLC ± -	1. PLC ± -	PRODUCT SPEC	
2. PLC ± -	3. PLC ± .005	APPLICATION SPEC	
4. PLC ± -	ANGLES ± -	WEIGHT	
MATERIAL	FINISH	SIZE A1	CAGE CODE 00779
		DRAWING NO. 1-1437559-1	RESTRICTED TO
		CUSTOMER DRAWING	SCALE 3:1 SHEET 3 OF 3 REV D6

X-ON Electronics

Largest Supplier of Electrical and Electronic Components

Click to view similar products for [Toggle Switches](#) category:

Click to view products by [TE Connectivity](#) manufacturer:

Other Similar products are found below :

[8928K478](#) [8A1-C-222](#) [020017-13](#) [60012L](#) [6006L](#) [CS115W](#) [CS120W](#) [6663](#) [7101SPDV30BE](#) [7103SDV30BE](#) [7105D](#) [7108P3YAV2BE](#)
[71YY50282](#) [7300K36](#) [7301K38](#) [7306K36](#) [7310K36](#) [7506K4](#) [7592K6](#) [7660K12](#) [7691K14](#) [8391K108](#) [8396K108](#) [8812K14](#) [8824K14](#)
[8828K13](#) [8835K3](#) [8858K44](#) [PS83-121G](#) [1-1825192-0](#) [A201SCWZB04](#) [A207SYCB04](#) [A208J61ZQ0004](#) [A221T1TCQ](#) [A323S1CWZQ](#)
[A423S1CWZG-M8](#) [1201W](#) [12156AX408](#) [12147AGKX679](#) [12246X778](#) [12TW49-3D](#) [130312](#) [13037L](#) [13001X](#) [AE101MD1W4B04](#)
[AE208SD1W4B04](#) [MS24659-22D](#) [MS27407-5](#) [1520230-9](#) [1520231-1](#)