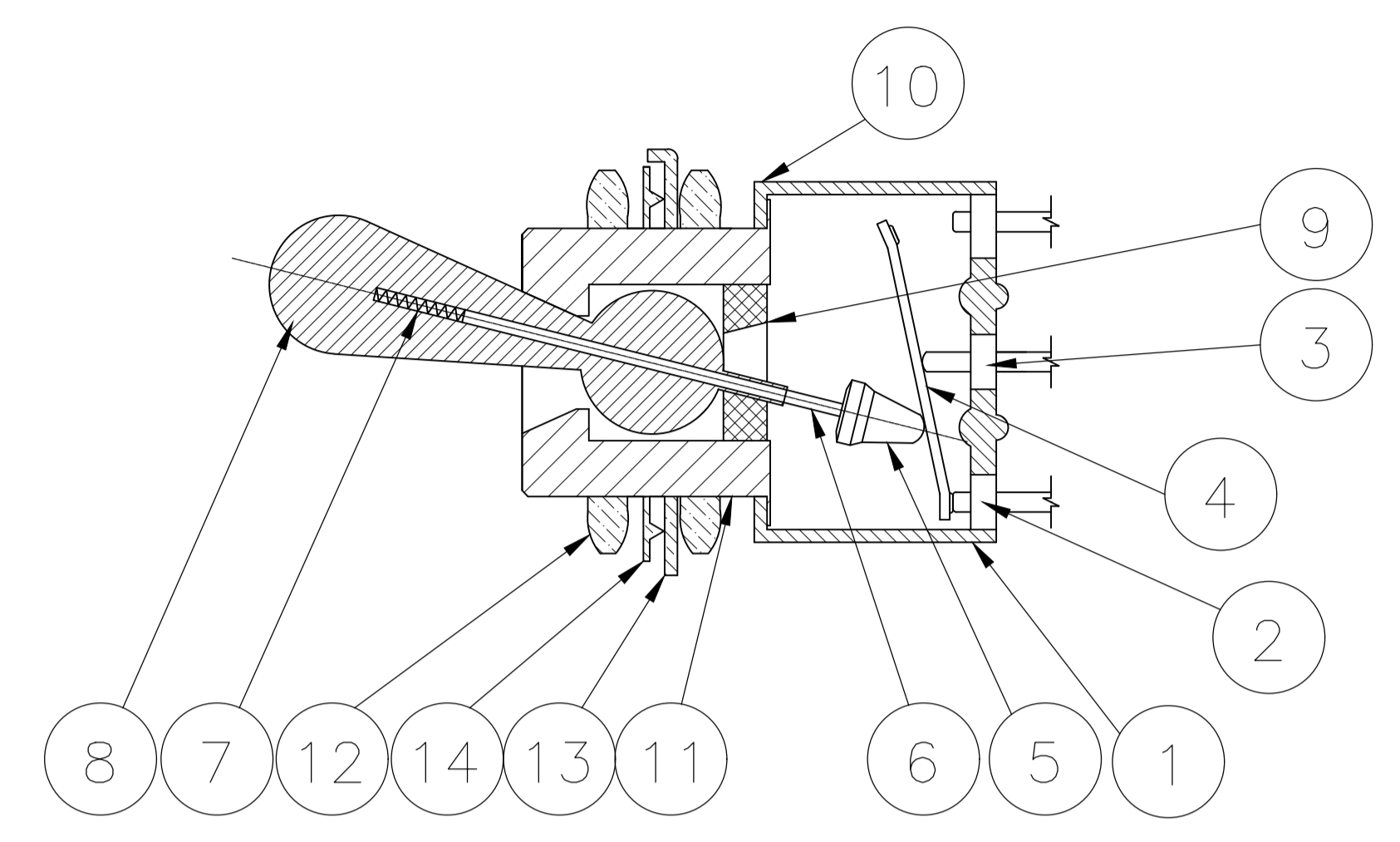


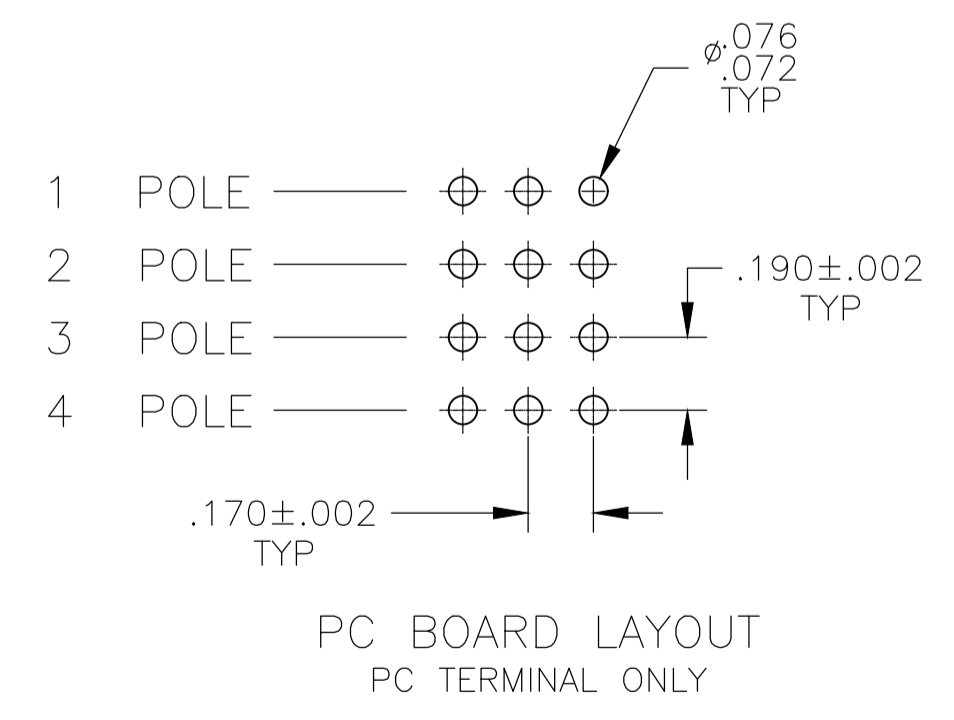
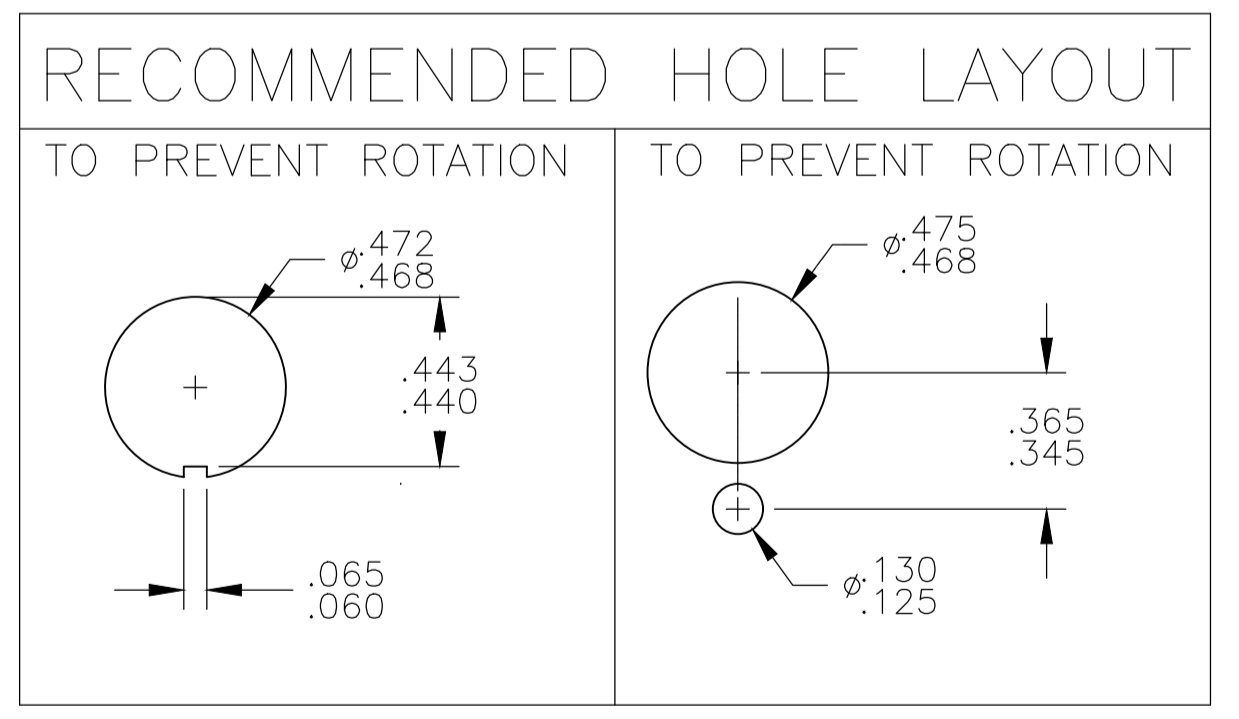
| Materials | | | |
|-----------|---------------------------|------------------------------|---|
| No. | Component name | Base material | Finish |
| 1 | Housing | High Temp., UL 94V-0, green | |
| 2 | End terminal | silver clad copper alloy | 5 microinches min. gold |
| 3 | Center terminal | copper alloy | 5 microinches min. gold |
| 4 | Rocker contact | silver clad copper alloy | 5 microinches min. gold |
| 5 | Actuator | Phenol resin, UL94 HB, black | |
| 6 | Plunger | stainless steel | |
| 7 | Spring | music wire | |
| 8 | Toggle | brass | chrome or Nickel |
| 9 | Retainer | Polyamide, UL94 HB, black | |
| 10 | Frame | cold rolled steel | zinc or Nickel |
| 11 | Bushing | brass | 100 microinches min. nickel over 10 microinches min. copper |
| 12 | Mounting nuts (2) | brass | 200 microinches min. bright nickel |
| 13 | Locating ring | cold rolled steel | zinc or Nickel |
| 14 | Internal tooth lockwasher | steel | zinc or Nickel |



NOT TO SCALE

| Specifications—see note 3 | | | | |
|---------------------------|--------------------------------|------------|------------|-----------|
| Current rating UL & CSA | 6A @ 125 VAC (resistive) | | | |
| | 3A @ 250 VAC (resistive) | | | |
| | 4A @ 28 VDC (resistive) | | | |
| Termination resistance | 20 milliohms max @ 2-4 VDC, 1A | | | |
| Insulation resistance | 1,000 megohms min. | | | |
| Withstanding voltage | 1,000 VAC | | | |
| Travel | 24 +/- 6 degrees | | | |
| Actuation force | .05 to 1.5 kgf | | | |
| Operating temperature | -20C to +85C | | | |
| Storage temperature | -40C to +85C | | | |
| Contact timing | break before make | | | |
| Terminal seal | epoxy or insert molded | | | |
| Durability | Parameter | 2 Position | 3 Position | Momentary |
| | mechanical (no load) | 150,000 | 100,000 | 80,000 |
| | 250 VAC (3A resistive) | 80,000 | 60,000 | 60,000 |
| | 125 VAC (6A resistive) | 80,000 | 60,000 | 60,000 |
| | 28 VDC (4A resistive) | 60,000 | 50,000 | 40,000 |

| Part Number | Alco Model | Poles | Throws | Function | Terminal | A | Diagram 1 | Diagram 2 | Diagram 3 | Comments |
|-------------|------------|-------|--------|---------------|----------|------|----------------------|-----------|----------------------|----------|
| 3-1437559-2 | MTG406P | 4 | 2 | ON OFF ON | Wire lug | .453 | 2-3, 5-6, 8-9, 11-12 | Off | 2-1, 5-4, 8-7, 11-10 | |
| 3-1437559-3 | MTG426N | 4 | 2 | ON ON | Wire lug | .685 | 2-3, 5-6, 8-9, 11-12 | --- | 2-1, 5-4, 8-7, 11-10 | |
| 3-1437559-1 | MTG406N | 4 | 2 | ON ON | Wire lug | .453 | 2-3, 5-6, 8-9, 11-12 | --- | 2-1, 5-4, 8-7, 11-10 | |
| 2-1437559-9 | MTG306E | 3 | 2 | ON OFF ON | Wire lug | .453 | 2-3, 5-6, 8-9 | Off | 2-1, 5-4, 8-7 | |
| 3-1437559-0 | MTG326D | 3 | 2 | ON ON | Wire lug | .685 | 2-3, 5-6, 8-9 | --- | 2-1, 5-4, 8-7 | |
| 2-1437559-8 | MTG306D | 3 | 2 | ON ON | Wire lug | .453 | 2-3, 5-6, 8-9 | --- | 2-1, 5-4, 8-7 | |
| 2-1437559-7 | MTG226PA | 1 | 3 | ON ON ON | Wire lug | .685 | 5-6 | 5-3 | 5-1 | note 6 |
| 2-1437559-6 | MTG226P | 2 | 2 | ON OFF ON | Wire lug | .685 | 2-3, 5-6 | Off | 2-1, 5-4 | |
| 2-1437559-5 | MTG226N | 2 | 2 | ON ON | Wire lug | .685 | 2-3, 5-6 | --- | 2-1, 5-4 | |
| 2-1437559-4 | MTG206T | 2 | 2 | ON OFF(ON) | Wire lug | .453 | 2-3, 5-6 | Off | 2-1, 5-4 | |
| 2-1437559-3 | MTG206S | 2 | 2 | (ON) OFF (ON) | Wire lug | .453 | 2-3, 5-6 | Off | 2-1, 5-4 | |
| 2-1437559-2 | MTG206R | 2 | 2 | ON (ON) | Wire lug | .453 | 2-3, 5-6 | --- | 2-1, 5-4 | |
| 2-1437559-1 | MTG206PA | 1 | 3 | ON ON ON | Wire lug | .453 | 5-6 | 5-3 | 5-1 | note 6 |
| 2-1437559-0 | MTG206P | 2 | 2 | ON OFF ON | Wire lug | .453 | 2-3, 5-6 | Off | 2-1, 5-4 | |
| 1-1437559-9 | MTG206NPC | 2 | 2 | ON ON | PC | .453 | 2-3, 5-6 | --- | 2-1, 5-4 | |
| 1-1437559-8 | MTG206N | 2 | 2 | ON ON | Wire lug | .453 | 2-3, 5-6 | --- | 2-1, 5-4 | |
| 1-1437559-0 | MTG126G | 1 | 2 | (ON) OFF (ON) | Wire lug | .685 | 2-3 | Off | 2-1 | |
| 1-1437559-7 | MTG126E | 1 | 2 | ON OFF ON | Wire lug | .685 | 2-3 | Off | 2-1 | |
| 1-1437559-6 | MTG126D | 1 | 2 | ON ON | Wire lug | .685 | 2-3 | --- | 2-1 | |
| 1-1437559-5 | MTG106H | 1 | 2 | ON OFF(ON) | Wire lug | .453 | 2-3 | Off | 2-1 | |
| 1-1437559-4 | MTG106G | 1 | 2 | (ON) OFF (ON) | Wire lug | .453 | 2-3 | Off | 2-1 | |
| 1-1437559-3 | MTG106F | 1 | 2 | ON (ON) | Wire lug | .453 | 2-3 | --- | 2-1 | |
| 1-1437559-2 | MTG106E | 1 | 2 | ON OFF ON | Wire lug | .453 | 2-3 | Off | 2-1 | |
| 1-1437559-1 | MTG106D | 1 | 2 | ON ON | Wire lug | .453 | 2-3 | --- | 2-1 | |



- NOTES:
- TERMINAL NUMBERS ARE FOR REFERENCE ONLY AND DO NOT APPEAR ON THE SWITCHES.
 - EACH SWITCH SUPPLIED WITH THE FOLLOWING MOUNTING HARDWARE:
 - (2) 15/32-32 UNS-2B HEX NUTS
 - (1) INTERNAL TOOTH LOCKWASHER
 - (1) LOCATING RING
 - WIRE LUG CONTACTS WILL ACCEPT 2 #20 AWG SOLID OR STRANDED WIRES.
 - CUSTOMER INSTALLED EXTERNAL JUMPER BETWEEN TERMINALS 2 AND 4 REQUIRED FOR 1 POLE 3 THROW FUNCTION.
 - OBSOLETE
 - LASER MARKING USED FOR PARTS.

THIS DRAWING IS A CONTROLLED DOCUMENT.

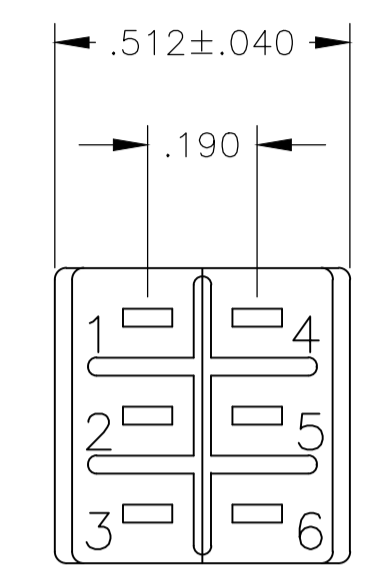
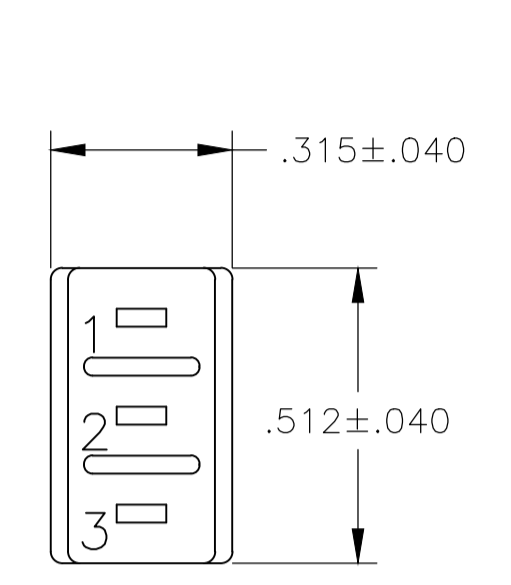
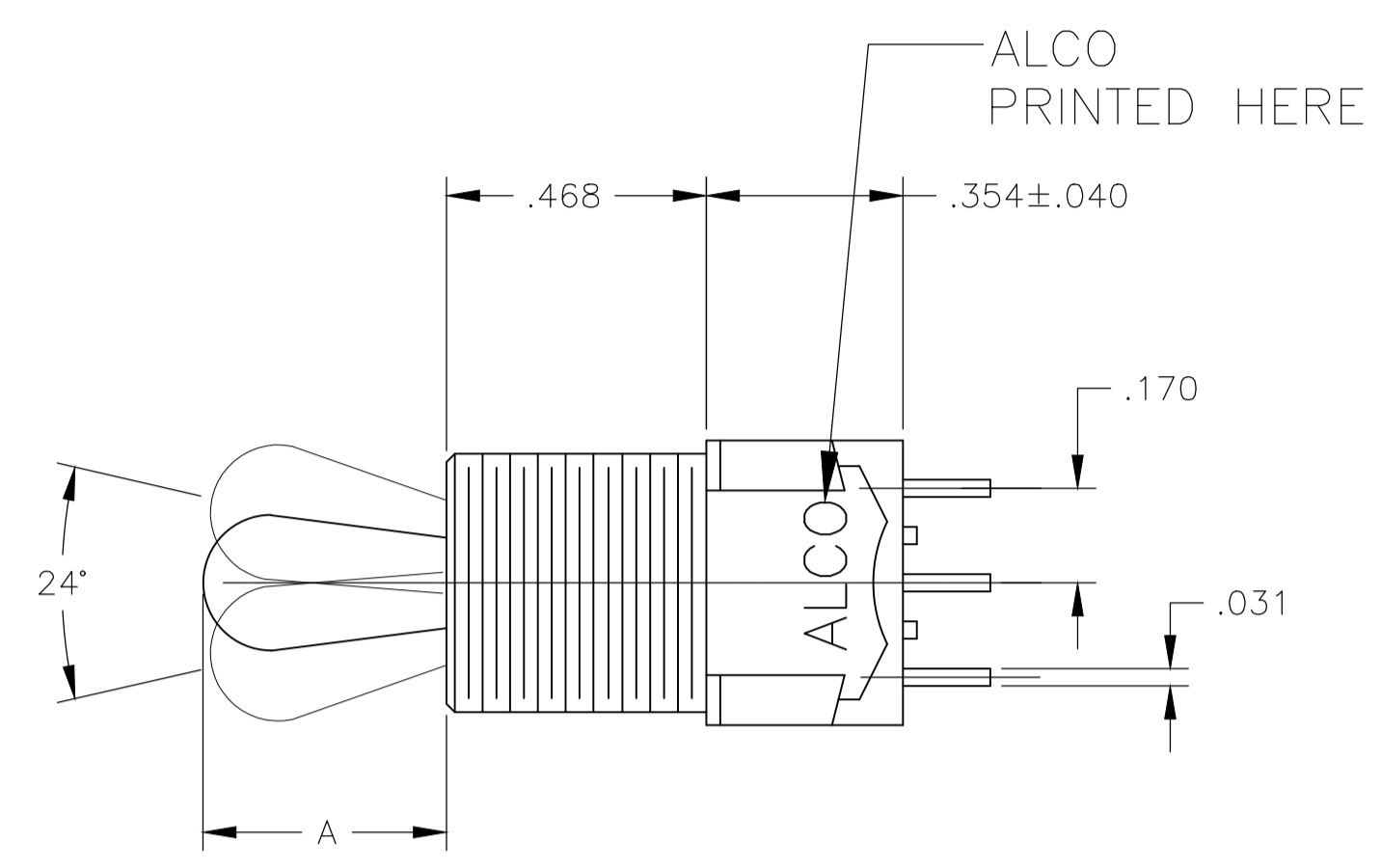
DIN M. BINNER 29DEC03
 CWK M. ZITTO 29DEC03
 APD M. ZITTO 29DEC03

TE Connectivity Ltd.

TOGGLE SWITCH, MTG SERIES
 VERTICAL MOUNT

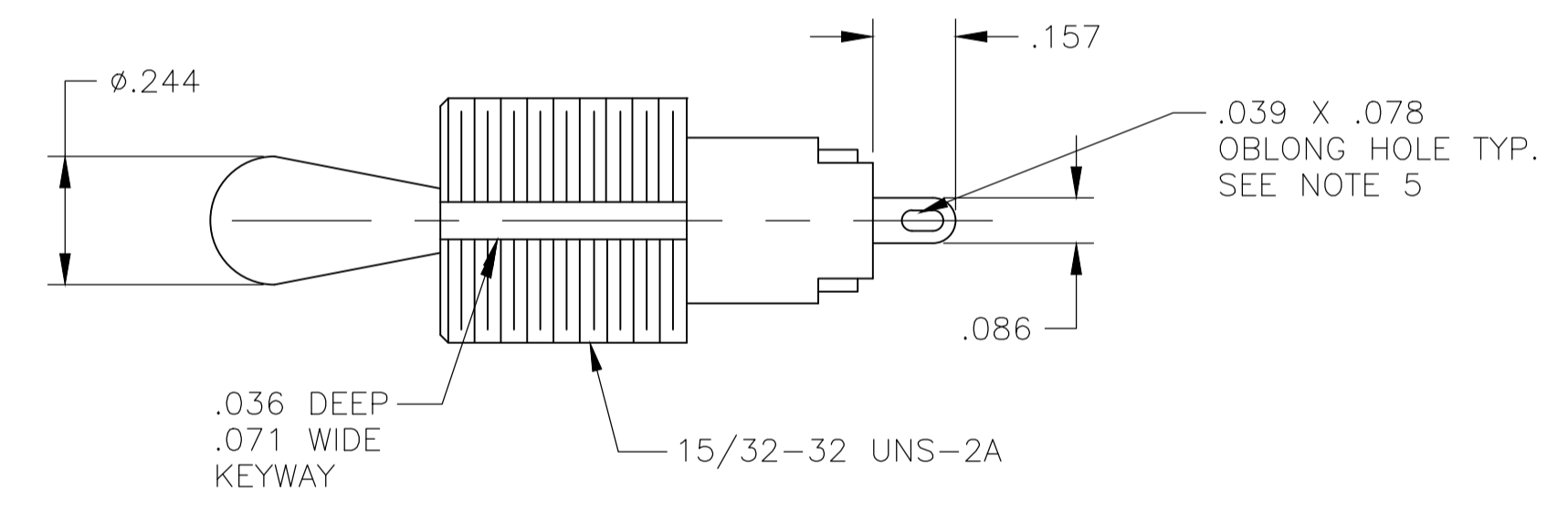
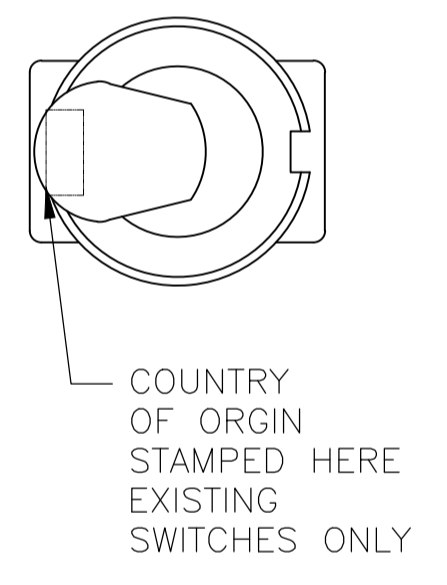
SIZE: A1 CASE CODE: 00779 DRAWING NO: 1-1437559-1
 WEIGHT: CUSTOMER DRAWING SCALE: 2:1 SHEET: 1 OF 3 REV: D6

| REVISIONS | | | | |
|-----------|-----|-------------|------|-----|
| P | LTR | DESCRIPTION | DATE | OWN |
| - | - | SEE SHEET 1 | - | - |

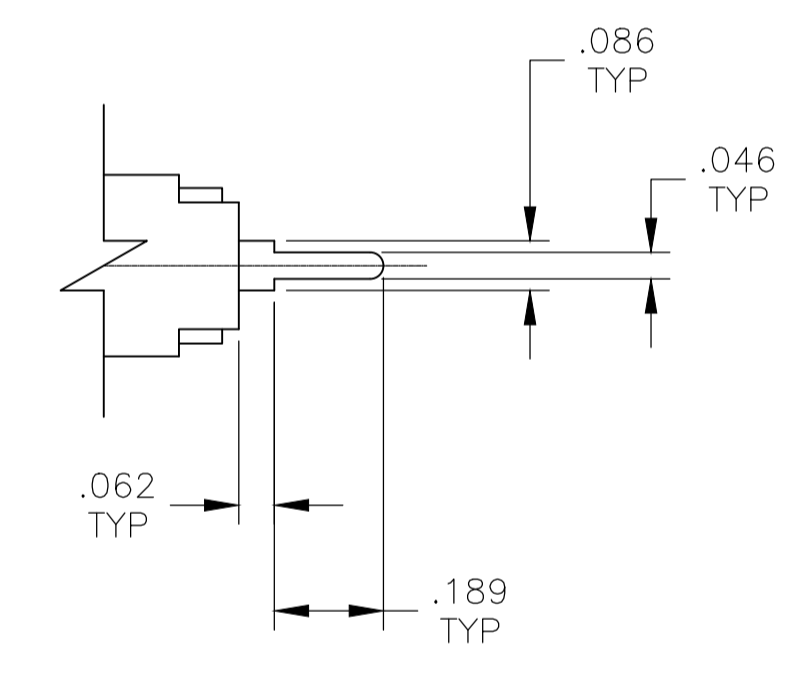


MTG-106

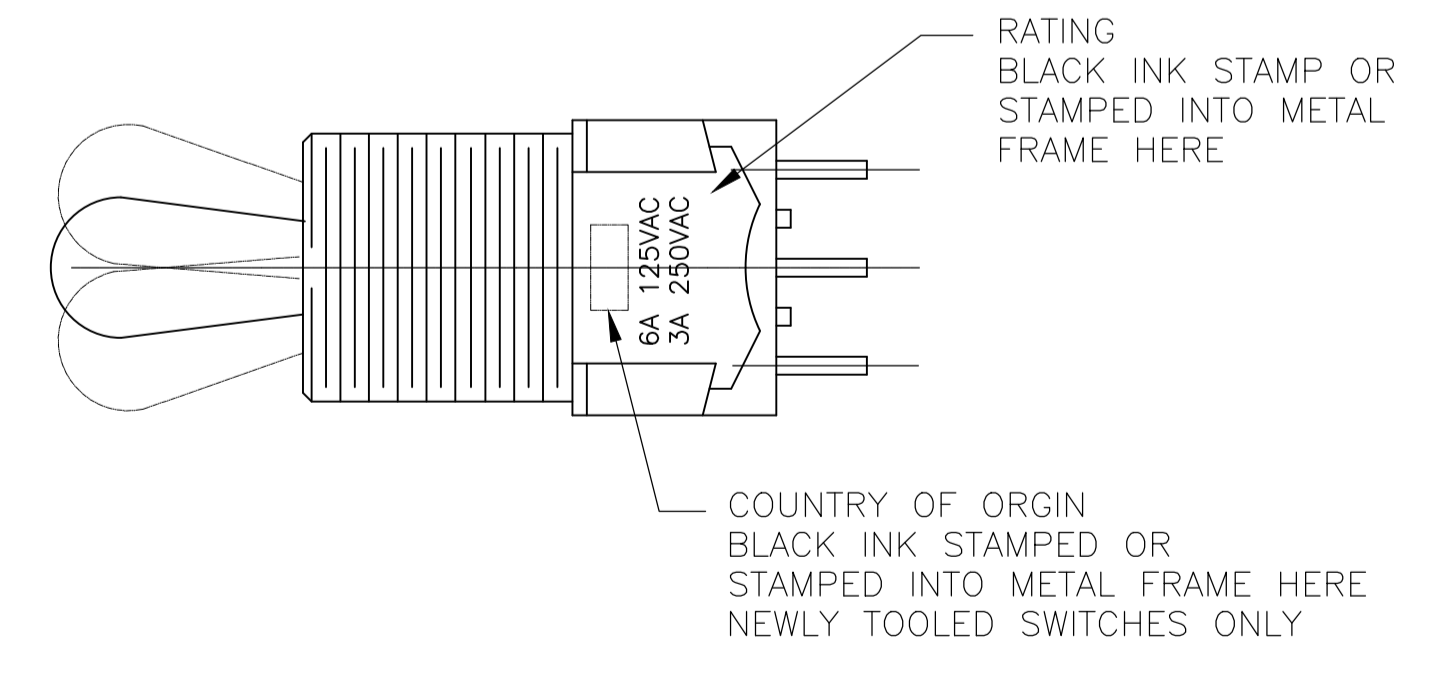
MTG-206



WIRE LUG TERMINAL

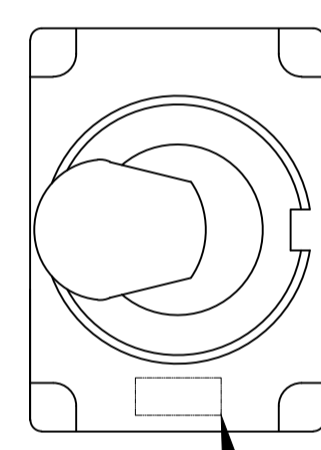
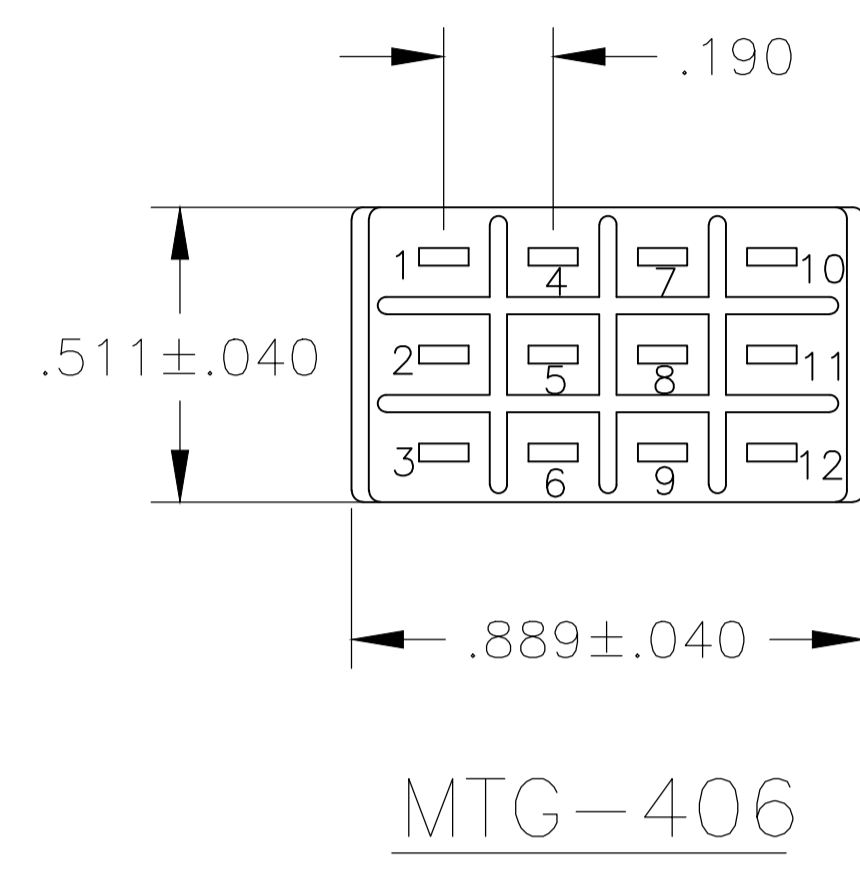
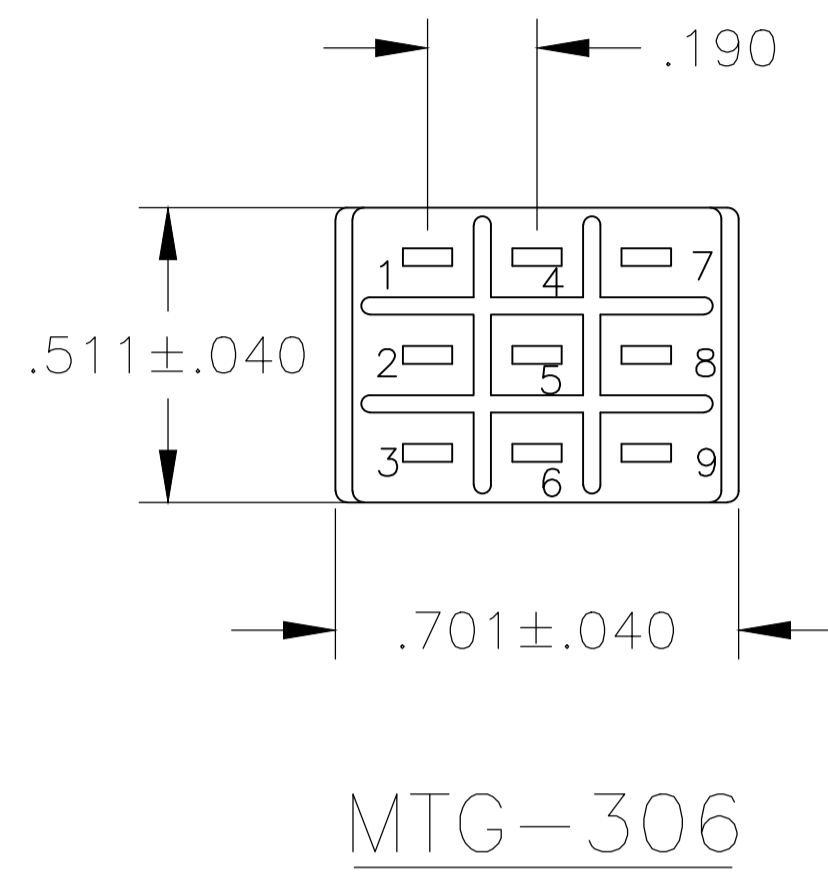
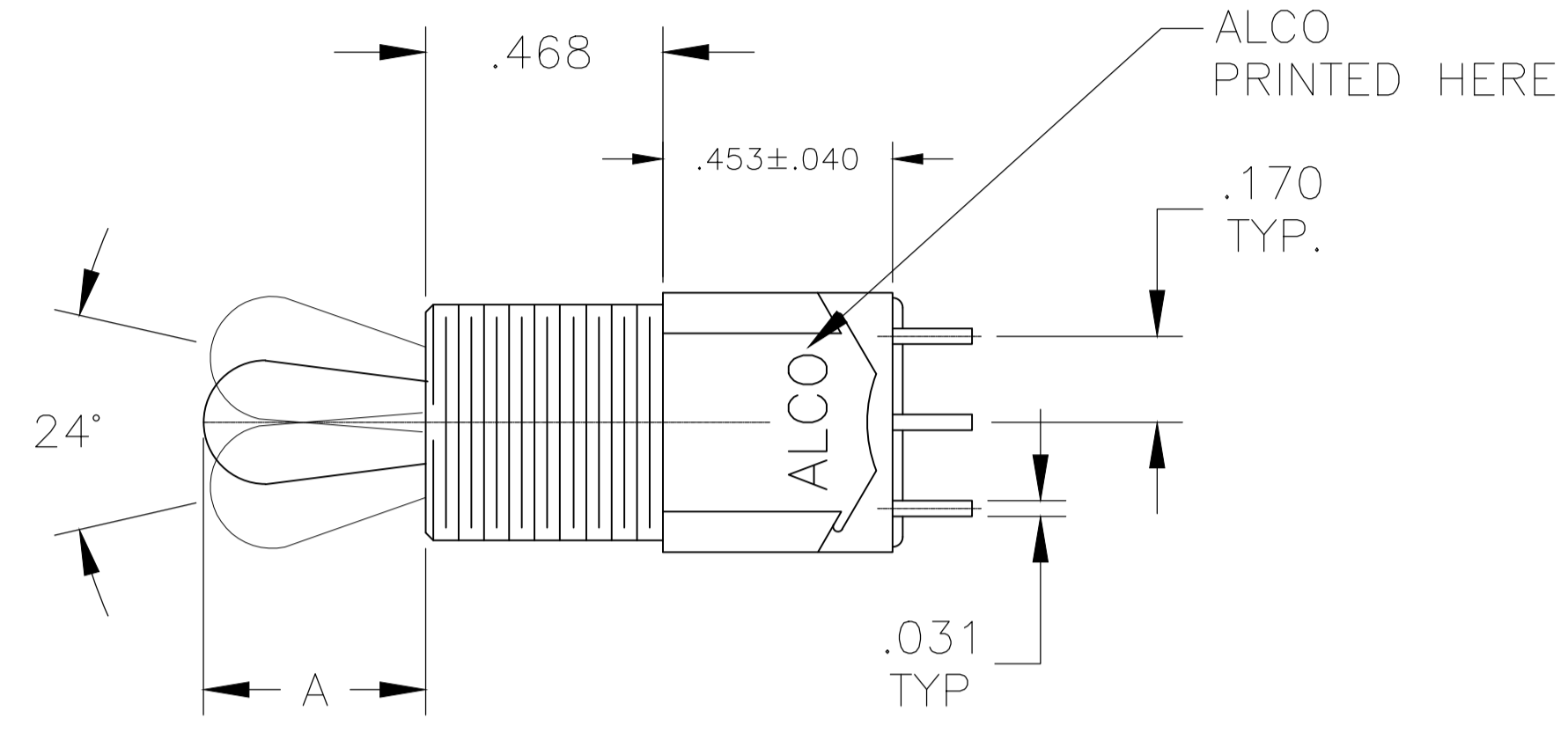


PC TERMINAL

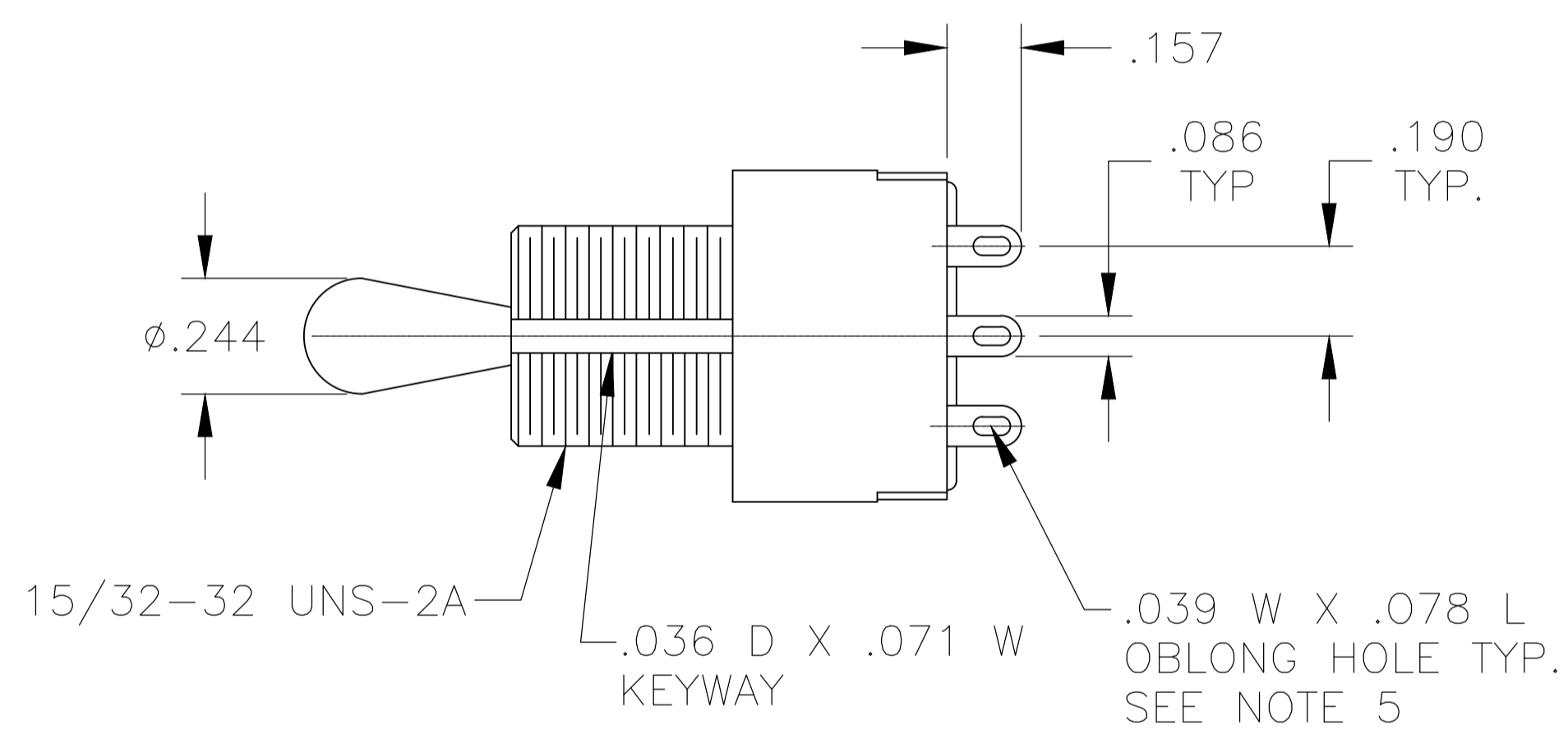


| | | | |
|--|---------------|-------------------------|--|
| THIS DRAWING IS A CONTROLLED DOCUMENT. | | DWG: M. BINNER 29DEC03 | TE Connectivity Ltd. |
| DIMENSIONS: INCHES | | CHK: M. ZITTO 29DEC03 | |
| TOLERANCES UNLESS OTHERWISE SPECIFIED: | | APP'D: M. ZITTO 29DEC03 | NAME: TOGGLE SWITCH, MTG SERIES VERTICAL MOUNT |
| 0. PLC ± - | 1. PLC ± - | PRODUCT SPEC | APPLICATION SPEC |
| 2. PLC ± - | 3. PLC ± .005 | SIZE | CAGE CODE |
| 4. PLC ± - | ANGLES ± - | WEIGHT | DRAWING NO. |
| MATERIAL | FINISH | RESTRICTED TO | SCALE: 3:1 |
| CUSTOMER DRAWING | | SIZE: A1 | REV: D6 |
| | | DWG NO: 00779 | SHEET 2 OF 3 |
| | | DRAWING NO: 1-1437559-1 | REV: D6 |

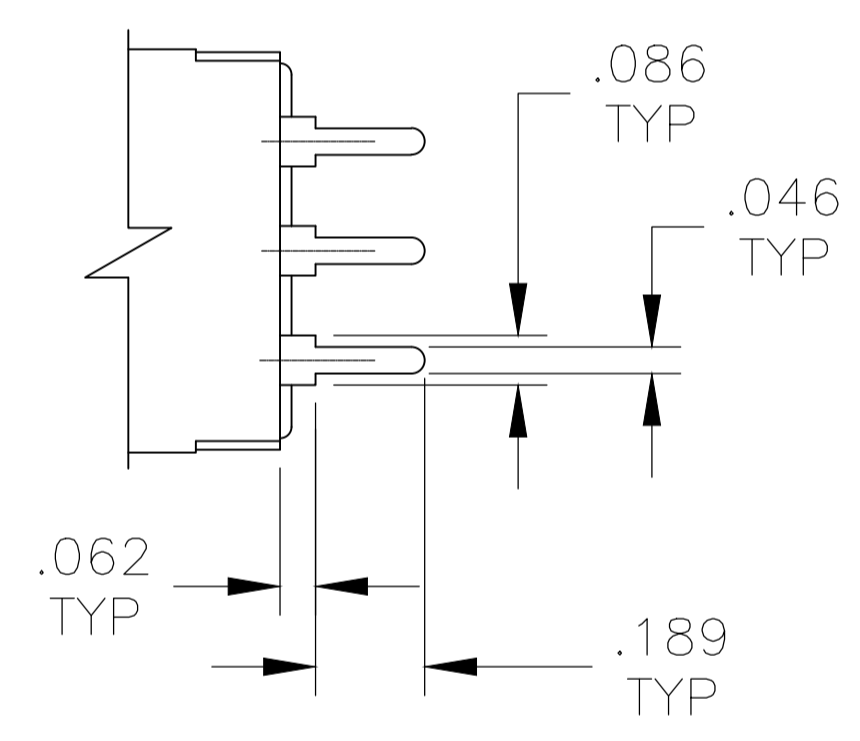
| REVISIONS | | | | |
|-----------|-----|-------------|------|-------|
| P | LTR | DESCRIPTION | DATE | APP'D |
| - | - | SEE SHEET 1 | - | - |



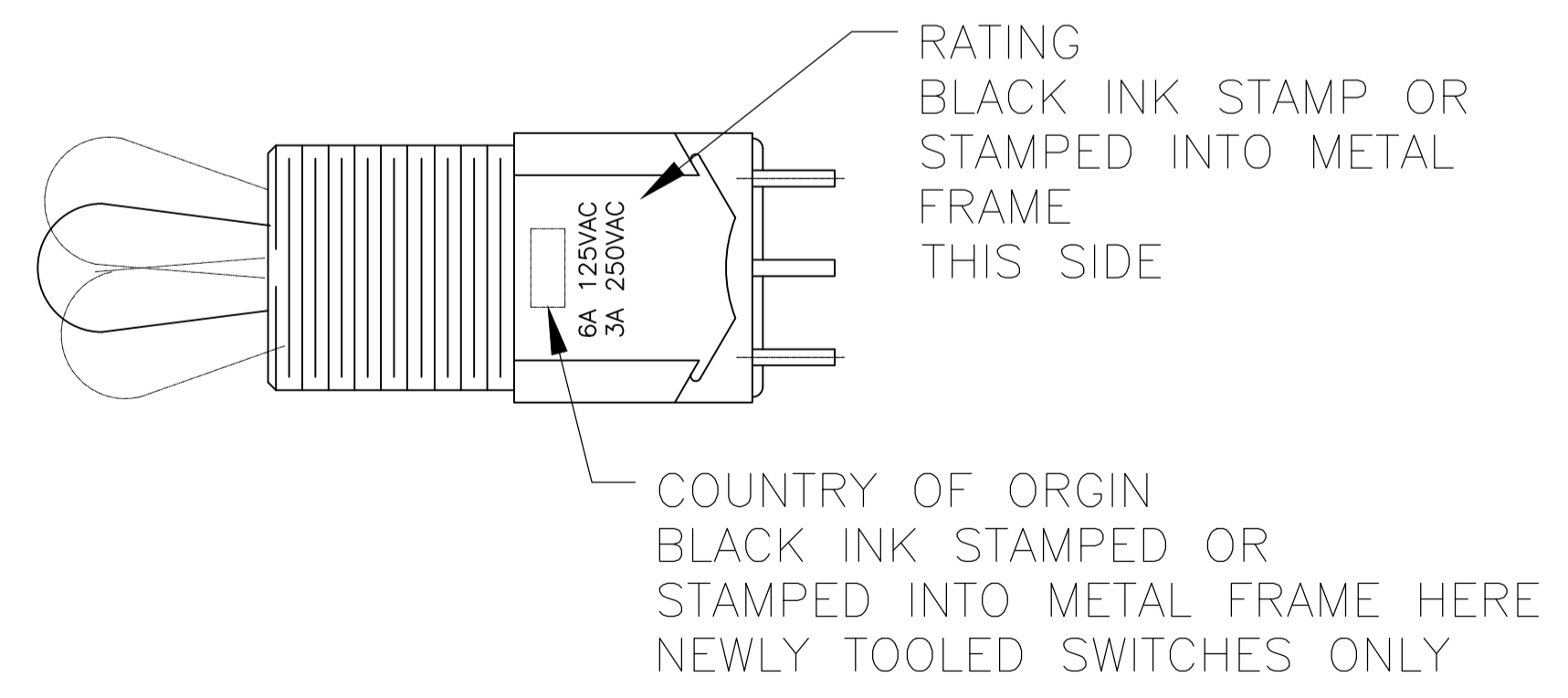
COUNTRY OF ORIGIN STAMPED HERE EXISTING SWITCHES ONLY



WIRE LUG TERMINAL



PC TERMINAL



| | | | |
|--|---------------|-------------------------|--|
| THIS DRAWING IS A CONTROLLED DOCUMENT. | | DWG: M. BINNER 29DEC03 | TE Connectivity Ltd. |
| DIMENSIONS: INCHES | | CHK: M. ZITTO 29DEC03 | |
| TOLERANCES UNLESS OTHERWISE SPECIFIED: | | APP'D: M. ZITTO 29DEC03 | NAME: TOGGLE SWITCH, MTG SERIES VERTICAL MOUNT |
| 0. PLC ± - | 1. PLC ± - | PRODUCT SPEC | APPLICATION SPEC |
| 2. PLC ± - | 3. PLC ± .005 | SIZE: A1 | CAGE CODE: 1-1437559-1 |
| 4. PLC ± - | ANGLES ± - | WEIGHT | RESTRICTED TO |
| MATERIAL | FINISH | CUSTOMER DRAWING | SCALE: 3:1 SHEET: 3 OF 3 REV: D6 |

X-ON Electronics

Largest Supplier of Electrical and Electronic Components

Click to view similar products for [Toggle Switches](#) category:

Click to view products by [TE Connectivity](#) manufacturer:

Other Similar products are found below :

[8928K478](#) [8A1-C-222](#) [020017-13](#) [60012L](#) [6006L](#) [CS115W](#) [CS120W](#) [6663](#) [7101SPDV30BE](#) [7103SDV30BE](#) [7105D](#) [7108P3YAV2BE](#)
[71YY50282](#) [7300K36](#) [7301K38](#) [7306K36](#) [7310K36](#) [7506K4](#) [7592K6](#) [7660K12](#) [7691K14](#) [7700K1](#) [8391K108](#) [8396K108](#) [8811K17](#)
[8824K14](#) [8828K13](#) [8835K3](#) [8858K44](#) [PS83-121G](#) [1-1825192-0](#) [A201SCWZB04](#) [A207SYCB04](#) [A208J61ZQ0004](#) [A221T1TCQ](#)
[A323S1CWZQ](#) [A423S1CWZG-M8](#) [1201W](#) [12156AX408](#) [12147AGKX679](#) [12246X778](#) [12TW49-3D](#) [130312](#) [13037L](#) [13001X](#)
[AE101MD1W4B04](#) [AE208SD1W4B04](#) [MS24659-22D](#) [MS27407-5](#) [1520230-9](#)