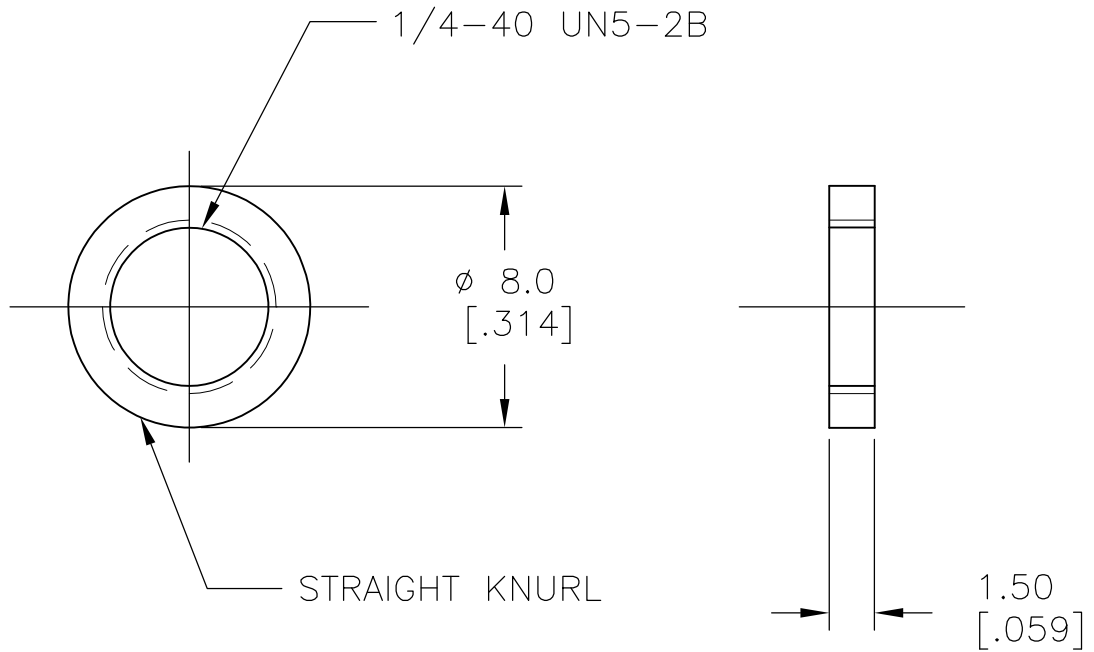
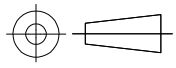


LOC	DIST	REVISIONS					
—	—	P	LTR	DESCRIPTION	DATE	DWN	APVD
			A	REDRAWN PER ECO-08-024774	13OCT08	HMR	WM



THIS DRAWING IS UNPUBLISHED.  
 ALL INTERNATIONAL RIGHTS RESERVED.  
 BY TYCO ELECTRONICS CORPORATION.

DIMENSIONS: mm [INCHES]	DWN	13OCT2008	MATERIAL	COPPER ALLOY	FINISH	NICKEL				
	CHK	13OCT2008	Tyco Electronics Corporation Harrisburg, PA 17105-3608							
TOLERANCES UNLESS OTHERWISE SPECIFIED: 0 PLC ± - 1 PLC ± - 2 PLC ± - 3 PLC ± 0.25[.010] 4 PLC ± - ANGLES ± -	APVD	13OCT2008	Tyco Electronics Corporation Harrisburg, PA 17105-3608							
	PRODUCT SPEC	—	NAME STANDARD KNURL NUT							
	APPLICATION SPEC	—	SIZE	A4	CAGE CODE	00779	DRAWING NO	C-1437628-7	RESTRICTED TO	—
	WEIGHT	—	CUSTOMER DRAWING							
			SCALE	4:1	SHEET	1 OF 1	REV	A		



## **X-ON Electronics**

Largest Supplier of Electrical and Electronic Components

*Click to view similar products for [Switch Fixings](#) category:*

*Click to view products by [TE Connectivity](#) manufacturer:*

Other Similar products are found below :

[893102000](#) [00-5150](#) [LZZ1A](#) [0098.9234](#) [61-9451.0](#) [M2PA-5011](#) [630155](#) [635401](#) [6PA113](#) [6PA147-E6](#) [6PA148-E6](#) [6PA32](#) [6PA9](#) [700106](#)  
[700109](#) [700303A56](#) [700C1GRY](#) [700C2GRN](#) [704-6001](#) [704.960.9](#) [704.965.2](#) [704.965.6](#) [704.966.0](#) [7089-3](#) [710082-B11](#) [71M1048](#)  
[757200264](#) [764300000](#) [MHU35](#) [MHU37](#) [807039-1](#) [825.003.011](#) [825.005.011](#) [825.053.011](#) [825.055.011](#) [826.000.071](#) [827.020.011](#)  
[827.400.021](#) [835.900.023](#) [MML52C10C](#) [MML52E10C](#) [MML92HGH](#) [MML93K](#) [84211M02CNNS](#) [84212M02CNNS](#) [84217A8.0LNOS](#)  
[842.500.011](#) [843187-000](#) [843487-000](#) [84-901](#)