

THIS DRAWING IS UNPUBLISHED.

RELEASED FOR PUBLICATION

-. -. .

REVISIONS

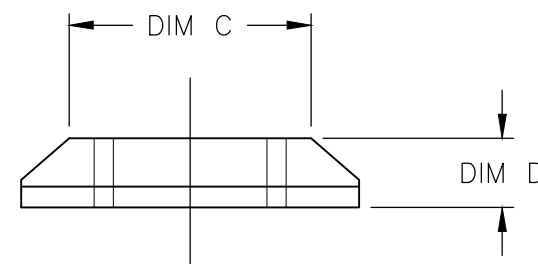
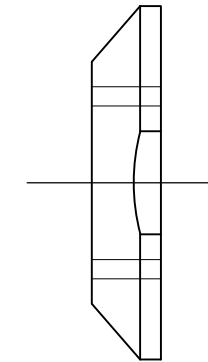
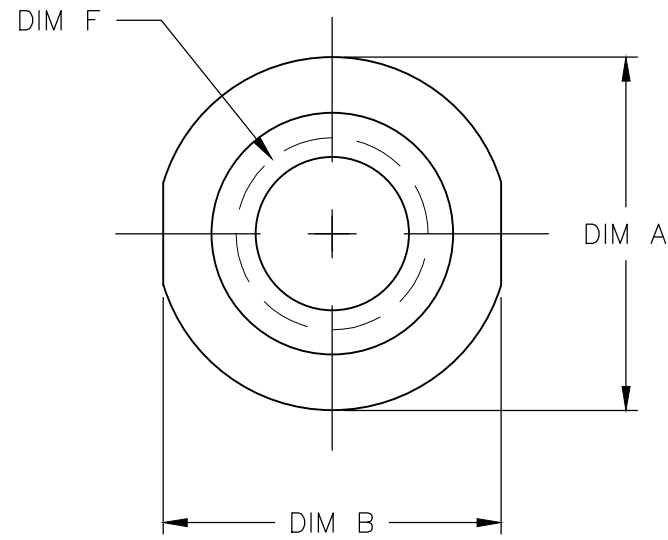
© COPYRIGHT - TE Connectivity Ltd.

ALL RIGHTS RESERVED.


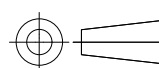
P	LTR	DESCRIPTION	DATE	DWN	APVD
	A1	ECR-16-017266	01JUN2018	SR	PO

① MATERIAL: BRASS.

② FINISH: NICKEL PLATE .0002 THK MIN.



OBSOLETE	15/32-32 UNS-2B	.170	.512	.551	.630	N3504	1825621-2
	1/4-40 UNS-2B	.090	.315	.440	.460	N304	1825621-1
	DIM E	DIM D	DIM C	DIM B	DIM A	ALCO PART NUMBER	TYCO PART NUMBER

THIS DRAWING IS A CONTROLLED DOCUMENT.		DWN S SCHLEGEL 17JAN2007	 TE Connectivity Ltd.			
DIMENSIONS: INCHES		CHK M WILBOURN 1/17/07				
		APVD M WILBOURN 1/17/07	NAME DECORATIVE MOUNTING NUT			
TOLERANCES UNLESS OTHERWISE SPECIFIED:		PRODUCT SPEC	-			
0 PLC ± -		APPLICATION SPEC	-			
1 PLC ± -		WEIGHT	SIZE	CAGE CODE	DRAWING NO	RESTRICTED TO
2 PLC ± -			A3	00779	C-1825621	-
3 PLC ± -			CUSTOMER DRAWING			SCALE
4 PLC ± -			4:1			SHEET
ANGLES ± -			1 OF 1			REV
MATERIAL - ①		FINISH - ②	A1			

## **X-ON Electronics**

Largest Supplier of Electrical and Electronic Components

*Click to view similar products for [Switch Fixings](#) category:*

*Click to view products by [TE Connectivity](#) manufacturer:*

Other Similar products are found below :

[893102000](#) [00-5150](#) [LZZ1A](#) [0098.9234](#) [61-9451.0](#) [M2PA-5011](#) [630155](#) [635401](#) [6PA113](#) [6PA147-E6](#) [6PA148-E6](#) [6PA32](#) [6PA9](#) [700109](#)  
[700303A56](#) [700C1GRY](#) [700C2GRN](#) [704-6001](#) [704.960.4](#) [704.960.9](#) [704.965.2](#) [704.965.6](#) [704.966.0](#) [7089-3](#) [710082-B11](#) [71M1048](#)  
[757200264](#) [764300000](#) [MHU35](#) [MHU37](#) [807039-1](#) [825.003.011](#) [825.005.011](#) [825.053.011](#) [825.055.011](#) [826.000.071](#) [827.020.011](#)  
[827.400.021](#) [835.900.023](#) [MML52C10C](#) [MML52E10C](#) [MML92HGH](#) [MML93K](#) [84211M02CNNS](#) [84212M02CNNS](#) [84217A8.0LNOS](#)  
[842.500.011](#) [843187-000](#) [843487-000](#) [84-901](#)