

THIS DRAWING IS UNPUBLISHED. RELEASED FOR PUBLICATION  
 © COPYRIGHT - By - ALL RIGHTS RESERVED.

| LOC | DIST | REVISIONS |     |                           |         |     |      |
|-----|------|-----------|-----|---------------------------|---------|-----|------|
| FT  | 0    | P         | LTR | DESCRIPTION               | DATE    | DWN | APVD |
|     |      | B1        |     | REVISED PER ECO-11-004587 | 11MAR11 | RK  | HMR  |

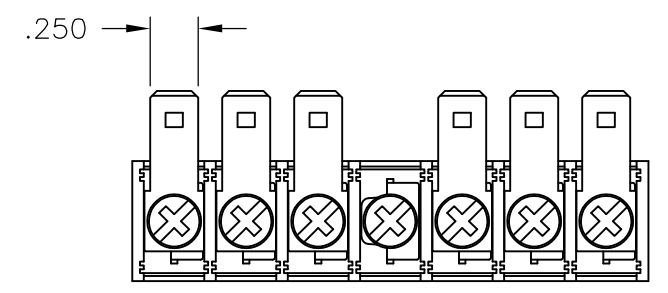
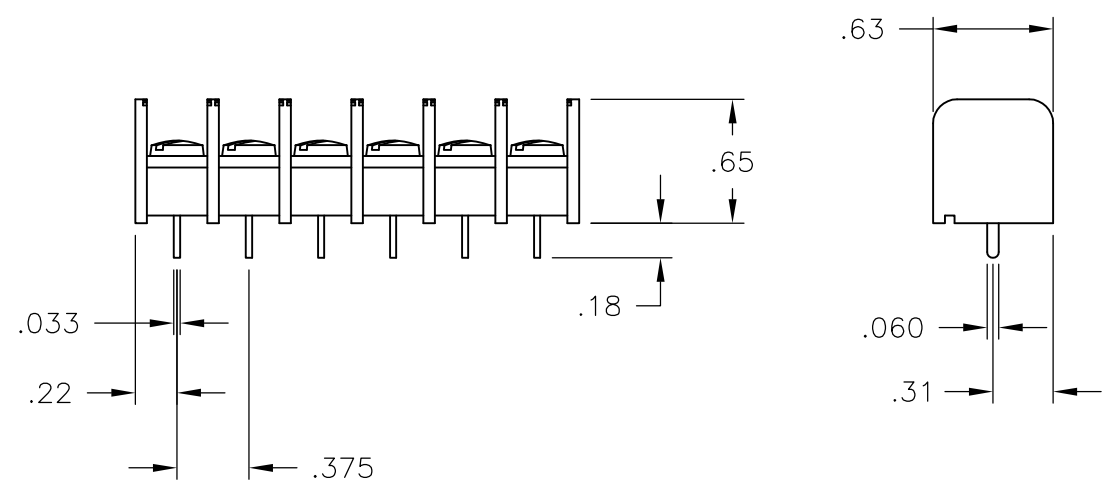
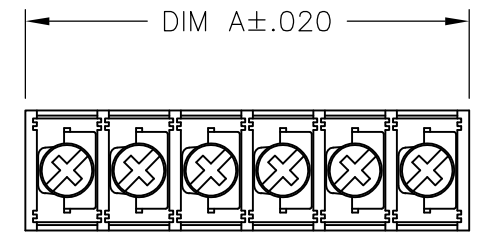
**MATERIALS:**  
 HOUSING: POLYAMIDE, UL94V-0, BLACK.  
 TERMINALS: COPPER ALLOY, TIN PLATED.  
 SCREWS: STEEL, ZINC PLATED, UNLESS OTHERWISE STATED.

**ELECTRICAL:**  
 RATING: 20A, UL & CSA.

**MECHANICAL:**  
 WIRE RANGE: 12-22 AWG.  
 MAXIMUM TIGHTENING TORQUE: 7 IN-LBS.

**ENVIRONMENTAL:**  
 CONTINUOUS OPERATING TEMP.: -40°C TO +105°C

- ① PRELIMINARY PART NUMBER.
- ② SCREWS ARE NICKEL PLATED BRASS.



1546834-6

| DIM A    | NO OF POS | CATALOG NUMBER  | PART NUMBER |
|----------|-----------|-----------------|-------------|
| 9.059    | 24        | NC6-P107-24     | 2-1437664-7 |
| 8.684    | 23        | NC6-P107-23     | 1546834-4   |
| 8.309    | 22        | NC6-P107-22     | 2-1437664-6 |
| 7.934    | 21        | NC6-P107-21     | 1546834-3   |
| 7.559    | 20        | NC6-P107-20     | 2-1437664-5 |
| 7.184    | 19        | NC6-P107-19     | 1546834-2   |
| 6.809    | 18        | NC6-P107-18     | 1546834-1   |
| 6.434    | 17        | NC6-P107-17     | 2-1437664-3 |
| 6.059    | 16        | NC6-P107-16     | 2-1437664-2 |
| 5.684    | 15        | NC6-P107-15     | 2-1437664-1 |
| 5.309    | 14        | NC6-P107-14     | 2-1437664-0 |
| 4.934    | 13        | NC6-P107-13     | 1-1437664-8 |
| ①② 4.559 | 12        | NC6-P105-12     | 1-1546834-0 |
| ①② 4.559 | 12        | NC6-P107-12     | 1-1437664-7 |
| ①② 4.184 | 11        | NC6-P105-11     | 1546834-9   |
| ①② 4.184 | 11        | NC6-P107-11     | 1-1437664-6 |
| ①② 3.809 | 10        | NC6-P105-10     | 1546834-8   |
| ①② 3.809 | 10        | NC6-P107-10     | 1-1437664-4 |
| ①② 3.434 | 9         | NC6-P107-09     | 1-1437664-3 |
| ①② 3.059 | 8         | NC6-P105-08     | 1546834-7   |
| ①② 3.059 | 8         | NC6-P107-08     | 1-1437664-1 |
| ① 2.684  | 7         | NC6-P107-07-060 | 1546834-6   |
| ① 2.684  | 7         | NC6-P107-07     | 1-1437664-0 |
| 2.309    | 6         | NC6-P107-06     | 1437664-9   |
| 1.934    | 5         | NC6-P107-05     | 1437664-7   |
| 1.559    | 4         | NC6-P107-04     | 1437664-6   |
| 1.184    | 3         | NC6-P107-03     | 1437664-5   |
| .809     | 2         | NC6-P107-02     | 1437664-4   |

|  |              |                        |                      |               |
|--|--------------|------------------------|----------------------|---------------|
| THIS DRAWING IS A CONTROLLED DOCUMENT. |              | DWN S SCHLEGEL 8/17/04 | TE Connectivity      |               |
| DIMENSIONS: INCHES                     |              | CHK S YODER 8/17/04    |                      |               |
| TOLERANCES UNLESS OTHERWISE SPECIFIED: |              | APVD S YODER 8/17/04   | NAME                 |               |
| 0 PLC ± -                              | 1 PLC ± -    | PRODUCT SPEC           | NC6-P107-XX ASSEMBLY |               |
| 2 PLC ± .02                            | 3 PLC ± .010 | APPLICATION SPEC       | SIZE                 | CAGE CODE     |
| 4 PLC ± -                              | ANGLES ± -   | WEIGHT                 | A3                   | 00779         |
| MATERIAL -                             | FINISH -     | CUSTOMER DRAWING       | DRAWING NO           | RESTRICTED TO |
|  |              |                        | G-1437664-4          | -             |
|  |              |                        | SCALE NTS            | SHEET 1 OF 1  |
|  |              |                        | REV B1               |               |

## X-ON Electronics

Largest Supplier of Electrical and Electronic Components

*Click to view similar products for [Barrier Terminal Blocks](#) category:*

*Click to view products by [TE Connectivity](#) manufacturer:*

Other Similar products are found below :

[CR151D20104](#) [670A-RZ-15-KT20](#) [6C1N03](#) [6PCR-02](#) [6PCR-02-008](#) [6PCR-05-008](#) [6PCR-08-008](#) [6PCR-09-008](#) [6PCR-13-006](#) [6PCR-15-006](#) [6PCR-21-006](#) [6PCV-06-008](#) [6PCV-06-716](#) [6PCV-09-001](#) [6PCV-10-009](#) [6PCV-15-008](#) [6PCV-17-1206](#) [6PCV-20-323](#) [6PCV-30-006](#) [6STR-06-006](#) [6STR-08-006](#) [6STR-12-008](#) [6STR-13-006](#) [6STR-14-008](#) [6STR-16-008](#) [6STR-17-008](#) [6STR-21-008](#) [6STR-25-008](#) [6STR-27-008](#) [6STV-03-006](#) [6STV-03-008](#) [6STV-04-006](#) [6STV-09-006](#) [6STV-10-006](#) [6WWR-03-693](#) [6WWV-12-008](#) [6WWV-16-008](#) [72212603](#) [72504-C-50](#) [72506-C](#) [72507-C-50](#) [73203](#) [75505-C](#) [75505-C-50](#) [75510-C](#) [77010-50](#) [7C1N08](#) [812-GP-3/4ST-09](#) [8-1437402-5](#) [8-1437402-7](#)