

THIS DRAWING IS UNPUBLISHED.

RELEASED FOR PUBLICATION

© COPYRIGHT - By -

ALL RIGHTS RESERVED.

LOC FT DIST 0

REVISIONS

P	LTR	DESCRIPTION	DATE	DWN	APVD
	B1	REVISED PER ECO-11-004587	11MAR11	RK	HMR

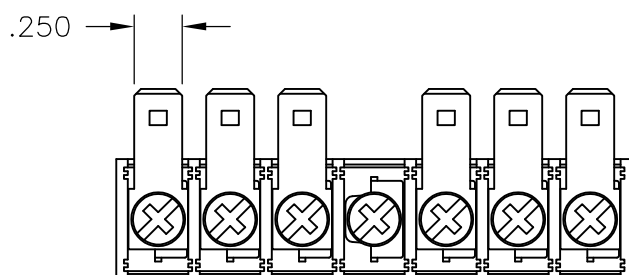
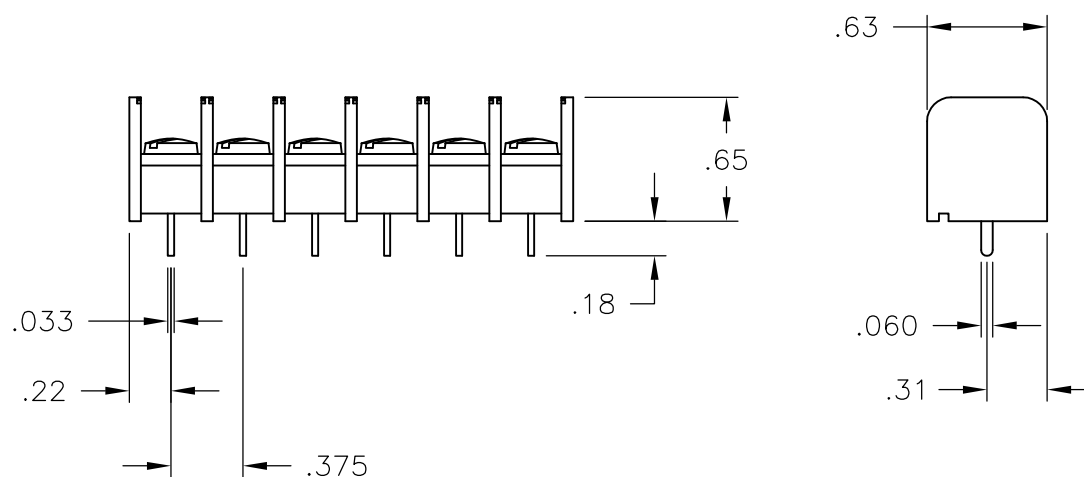
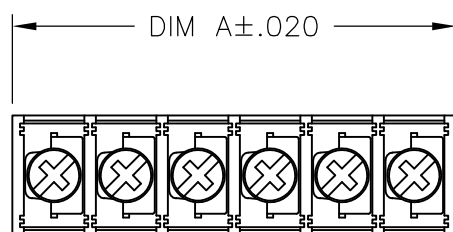
MATERIALS:
 HOUSING: POLYAMIDE, UL94V-0, BLACK.
 TERMINALS: COPPER ALLOY, TIN PLATED.
 SCREWS: STEEL, ZINC PLATED, UNLESS OTHERWISE STATED.

ELECTRICAL:
 RATING: 20A, UL & CSA.

MECHANICAL:
 WIRE RANGE: 12-22 AWG.
 MAXIMUM TIGHTENING TORQUE: 7 IN-LBS.

ENVIRONMENTAL:
 CONTINUOUS OPERATING TEMP.: -40°C TO +105°C

- ① PRELIMINARY PART NUMBER.
- ② SCREWS ARE NICKEL PLATED BRASS.



1546834-6

9.059	24	NC6-P107-24	2-1437664-7
8.684	23	NC6-P107-23	1546834-4
8.309	22	NC6-P107-22	2-1437664-6
7.934	21	NC6-P107-21	1546834-3
7.559	20	NC6-P107-20	2-1437664-5
7.184	19	NC6-P107-19	1546834-2
6.809	18	NC6-P107-18	1546834-1
6.434	17	NC6-P107-17	2-1437664-3
6.059	16	NC6-P107-16	2-1437664-2
5.684	15	NC6-P107-15	2-1437664-1
5.309	14	NC6-P107-14	2-1437664-0
4.934	13	NC6-P107-13	1-1437664-8
①② 4.559	12	NC6-P105-12	1-1546834-0
①② 4.559	12	NC6-P107-12	1-1437664-7
①② 4.184	11	NC6-P105-11	1546834-9
①② 4.184	11	NC6-P107-11	1-1437664-6
①② 3.809	10	NC6-P105-10	1546834-8
①② 3.809	10	NC6-P107-10	1-1437664-4
①② 3.434	9	NC6-P107-09	1-1437664-3
①② 3.059	8	NC6-P105-08	1546834-7
①② 3.059	8	NC6-P107-08	1-1437664-1
① 2.684	7	NC6-P107-07-060	1546834-6
① 2.684	7	NC6-P107-07	1-1437664-0
2.309	6	NC6-P107-06	1437664-9
1.934	5	NC6-P107-05	1437664-7
1.559	4	NC6-P107-04	1437664-6
1.184	3	NC6-P107-03	1437664-5
.809	2	NC6-P107-02	1437664-4
DIM A	NO OF POS	CATALOG NUMBER	PART NUMBER

THIS DRAWING IS A CONTROLLED DOCUMENT.

DIMENSIONS: INCHES

TOLERANCES UNLESS OTHERWISE SPECIFIED:

0 PLC	± -
1 PLC	± -
2 PLC	± .02
3 PLC	± .010
4 PLC	± -
ANGLES	± -

MATERIAL

FINISH

DWN S SCHLEGEL 8/17/04

CHK S YODER 8/17/04

APVD S YODER 8/17/04

PRODUCT SPEC

APPLICATION SPEC

WEIGHT

CUSTOMER DRAWING

STE TE Connectivity

NAME

NC6-P107-XX ASSEMBLY

SIZE

CAGE CODE

DRAWING NO

RESTRICTED TO

A3

00779

C-1437664-4

SCALE NTS

SHEET 1 OF 1

REV B1

X-ON Electronics

Largest Supplier of Electrical and Electronic Components

Click to view similar products for [Barrier Terminal Blocks](#) category:

Click to view products by [TE Connectivity](#) manufacturer:

Other Similar products are found below :

[CR151D20104](#) [670A-RZ-15-KT20](#) [6C1N03](#) [6PCR-02](#) [6PCR-02-008](#) [6PCR-05-008](#) [6PCR-08-008](#) [6PCR-09-008](#) [6PCR-13-006](#) [6PCR-15-006](#) [6PCR-21-006](#) [6PCV-06-008](#) [6PCV-06-716](#) [6PCV-09-001](#) [6PCV-10-009](#) [6PCV-15-008](#) [6PCV-17-1206](#) [6PCV-20-323](#) [6PCV-20-720](#) [6PCV-30-006](#) [6STR-06-006](#) [6STR-08-006](#) [6STR-12-008](#) [6STR-13-006](#) [6STR-14-008](#) [6STR-16-008](#) [6STR-17-008](#) [6STR-21-008](#) [6STR-25-008](#) [6STR-27-008](#) [6STV-03-006](#) [6STV-03-008](#) [6STV-04-006](#) [6STV-09-006](#) [6STV-10-006](#) [6WWR-03-693](#) [6WWV-12-008](#) [6WWV-16-008](#) [72212603](#) [72504-C-50](#) [72506-C](#) [72507-C-50](#) [73203](#) [75505-C](#) [75505-C-50](#) [75510-C](#) [77010-50](#) [7C1N08](#) [812-GP-3/4ST-09](#) [8-1437402-5](#)