

THIS DRAWING IS UNPUBLISHED. RELEASED FOR PUBLICATION

© COPYRIGHT - By - ALL RIGHTS RESERVED.

LOC	DIST	REVISIONS					
FT	0	P	LTR	DESCRIPTION	DATE	DWN	APVD
			F3	REVISED PER ECO-13-015432	01OCT2013	KH	MM

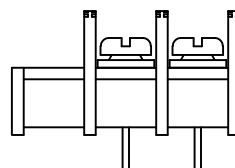
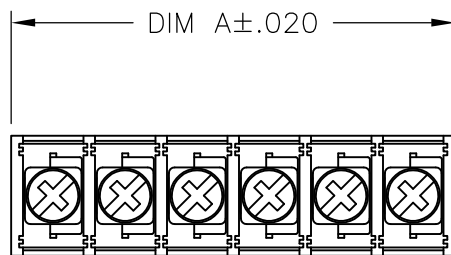
MATERIALS:
 HOUSING: POLYAMIDE, UL94V-0, BLACK.
 TERMINALS: COPPER ALLOY, TIN PLATED.
 SCREWS: STEEL, ZINC PLATED.

ELECTRICAL:
 RATING: 20A, UL & CSA.

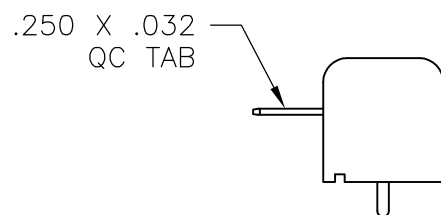
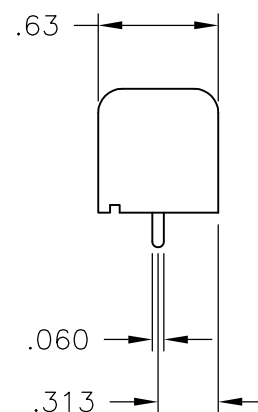
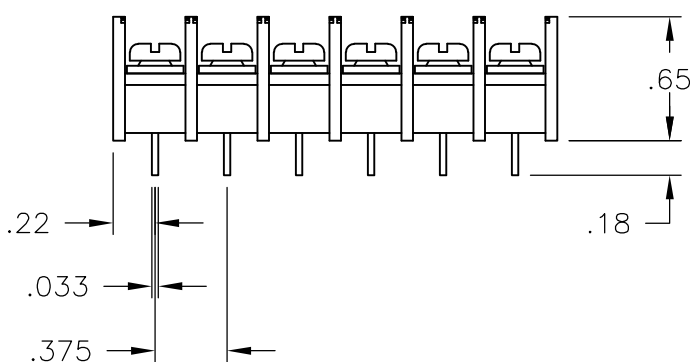
MECHANICAL:
 WIRE RANGE: 12-22 AWG.
 MAXIMUM TIGHTENING TORQUE: 7 IN-LBS.

ENVIRONMENTAL:
 CONTINUOUS OPERATING TEMP.: -40°C TO +105°C.

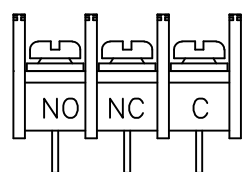
- 1 PRELIMINARY PART NUMBER.
- 2 SCREWS ARE BOTTOMED, NO THREAD INTERRUPT.
- 3 OBSOLETE PART NUMBER.
- 4 CAPTIVE SCREWS BACKED OUT TO 1.3 IN-LB TORQUE.
- 5 OBSOLETE PARTS: OBSOLETE CIS STREAMLINING PER D.RENAUD/D.SINISI
- 6 SCREWS ARE NICKEL PLATED BRASS



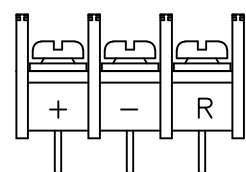
5 OBSOLETE ~~796922-6~~



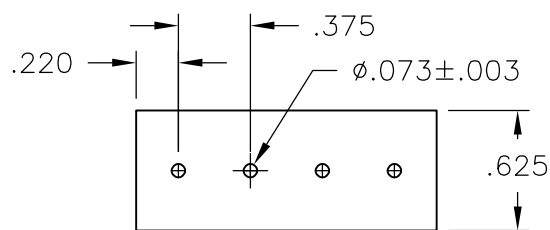
5 OBSOLETE ~~796922-7~~



1-796922-8



1-796922-9



RECOMMENDED PCB LAYOUT

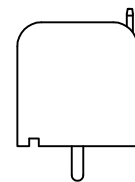
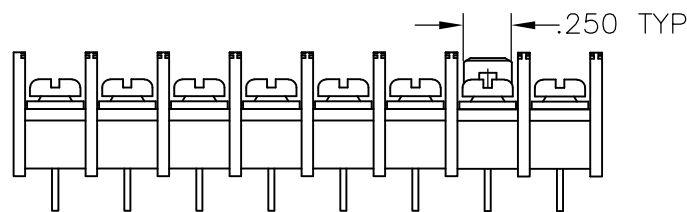
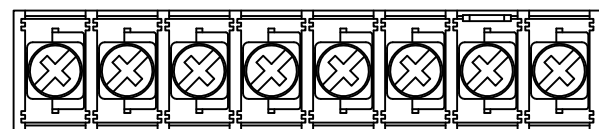
DIM A	NO OF POS	CATALOG NUMBER	PART NUMBER
6.436	17	NC6-P108-17	5-1437664-2
6.061	16	NC6-P108-16	5-1437664-1
5.686	15	NC6-P108-15	5-1437664-0
5.311	14	NC6-P108-14	4-1437664-9
4.936	13	NC6-P108-13	4-1437664-8
4.561	12	NC6-P108-12	4-1437664-7
4.186	11	NC6-P108-11	4-1437664-6
3.811	10	NC6-P108-10-068	1-796922-5
3.811	10	NC6-P108-10	4-1437664-4
3.436	9	NC6-P108-09-067	1-796922-4
3.436	9	NC6-P108-09	4-1437664-2
3.061	8	NC6-P108-08-069	1-796922-7
3.061	8	NC6-P108-08-066	1-796922-3
3.061	8	NC6-P108-08	4-1437664-1
2.686	7	NC6-P108-07-065	1-796922-2
2.686	7	NC6-P108-07-057	796922-7
2.686	7	NC6-P108-07	4-1437664-0
2.311	6	NC6-P108-06-064	1-796922-1
2.311	6	NC6-P108-06-054	796922-3
2.311	6	NC6-P108-06-049	3-1437664-9
2.311	6	NC6-P108-06	3-1437664-8
1.936	5	NC6-P108-05-063	1-796922-0
1.936	5	NC6-P108-05-052	3-1437664-7
1.936	5	NC6-P108-05	3-1437664-5
1.561	4	NC6-P106-04	6-1437664-2
1.561	4	NC6-P108-04-062	796922-9
1.561	4	NC6-P108-04	3-1437664-3
1.186	3	NC6-P108-03-289	1-796922-9
1.186	3	NC6-P108-03-290	1-796922-8
1.186	3	NC6-P108-03-056	796922-6
1.186	3	NC6-P108-03-501	1-796922-6
1.186	3	NC6-P108-03	3-1437664-1
.811	2	NC6-P108-02-061	796922-8
.811	2	NC6-P108-02	3-1437664-0

THIS DRAWING IS A CONTROLLED DOCUMENT.

DIMENSIONS: INCHES	TOLERANCES UNLESS OTHERWISE SPECIFIED:	DWN S SCHLEGEL 03JUN03	TE Connectivity
	0 PLC ± -	CHK H WAKEEM 6/3/03	
	1 PLC ± -	APVD H WAKEEM 6/3/03	
	2 PLC ± .01	NAME	
MATERIAL	FINISH	PRODUCT SPEC	NC6-P108-XX ASSEMBLY
		APPLICATION SPEC	SIZE CAGE CODE DRAWING NO RESTRICTED TO
		WEIGHT	A3 00779 C-3-1437664-0
		CUSTOMER DRAWING	SCALE NTS SHEET 1 OF 2 REV F3


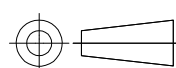
THIS DRAWING IS UNPUBLISHED. RELEASED FOR PUBLICATION
 © COPYRIGHT - By - ALL RIGHTS RESERVED.

LOC	DIST	REVISIONS			
P	LTR	DESCRIPTION	DATE	DWN	APVD
FT	0	-	SEE SHEET 1	-	-



1-796922-7

9.061	24	NC6-P108-24	5-1437664-7
8.686	23	NC6-P108-23	796922-5
8.311	22	NC6-P108-22	5-1437664-6
7.936	21	NC6-P108-21	796922-4
7.561	20	NC6-P108-20	5-1437664-5
7.186	19	NC6-P108-19	5-1437664-4
6.811	18	NC6-P108-18	5-1437664-3
DIM A	NO OF POS	CATALOG NUMBER	PART NUMBER

THIS DRAWING IS A CONTROLLED DOCUMENT.		DWN S SCHLEGEL 03JUN03	 TE Connectivity	
DIMENSIONS: INCHES		CHK H WAKEEM 6/3/03		
		APVD H WAKEEM 6/3/03	NAME NC6-P108-XX ASSEMBLY	
TOLERANCES UNLESS OTHERWISE SPECIFIED:		PRODUCT SPEC	RESTRICTED TO	
0 PLC ± -		APPLICATION SPEC	SIZE	CAGE CODE
1 PLC ± -		WEIGHT	A3	00779
2 PLC ± .01		DRAWING NO		3-1437664-0
3 PLC ± .005		SCALE		NTS
4 PLC ± -		SHEET		2 OF 2
ANGLES ± -		REV		F3
MATERIAL		CUSTOMER DRAWING		
FINISH		SCALE NTS SHEET 2 OF 2 REV F3		

X-ON Electronics

Largest Supplier of Electrical and Electronic Components

Click to view similar products for [Barrier Terminal Blocks](#) category:

Click to view products by [TE Connectivity](#) manufacturer:

Other Similar products are found below :

[CR151D20104](#) [670A-RZ-15-KT20](#) [6C1N03](#) [6PCR-02](#) [6PCR-02-008](#) [6PCR-05-008](#) [6PCR-08-008](#) [6PCR-09-008](#) [6PCR-13-006](#) [6PCR-15-006](#) [6PCR-21-006](#) [6PCV-06-008](#) [6PCV-06-716](#) [6PCV-09-001](#) [6PCV-10-009](#) [6PCV-15-008](#) [6PCV-17-1206](#) [6PCV-20-323](#) [6PCV-30-006](#) [6STR-06-006](#) [6STR-08-006](#) [6STR-12-008](#) [6STR-13-006](#) [6STR-14-008](#) [6STR-16-008](#) [6STR-17-008](#) [6STR-21-008](#) [6STR-25-008](#) [6STR-27-008](#) [6STV-03-006](#) [6STV-03-008](#) [6STV-04-006](#) [6STV-09-006](#) [6STV-10-006](#) [6WWR-03-693](#) [6WWV-12-008](#) [6WWV-16-008](#) [72212603](#) [72504-C-50](#) [72506-C](#) [72507-C-50](#) [73203](#) [75505-C](#) [75505-C-50](#) [75510-C](#) [77010-50](#) [7C1N08](#) [812-GP-3/4ST-09](#) [8-1437402-5](#) [8-1437402-7](#)