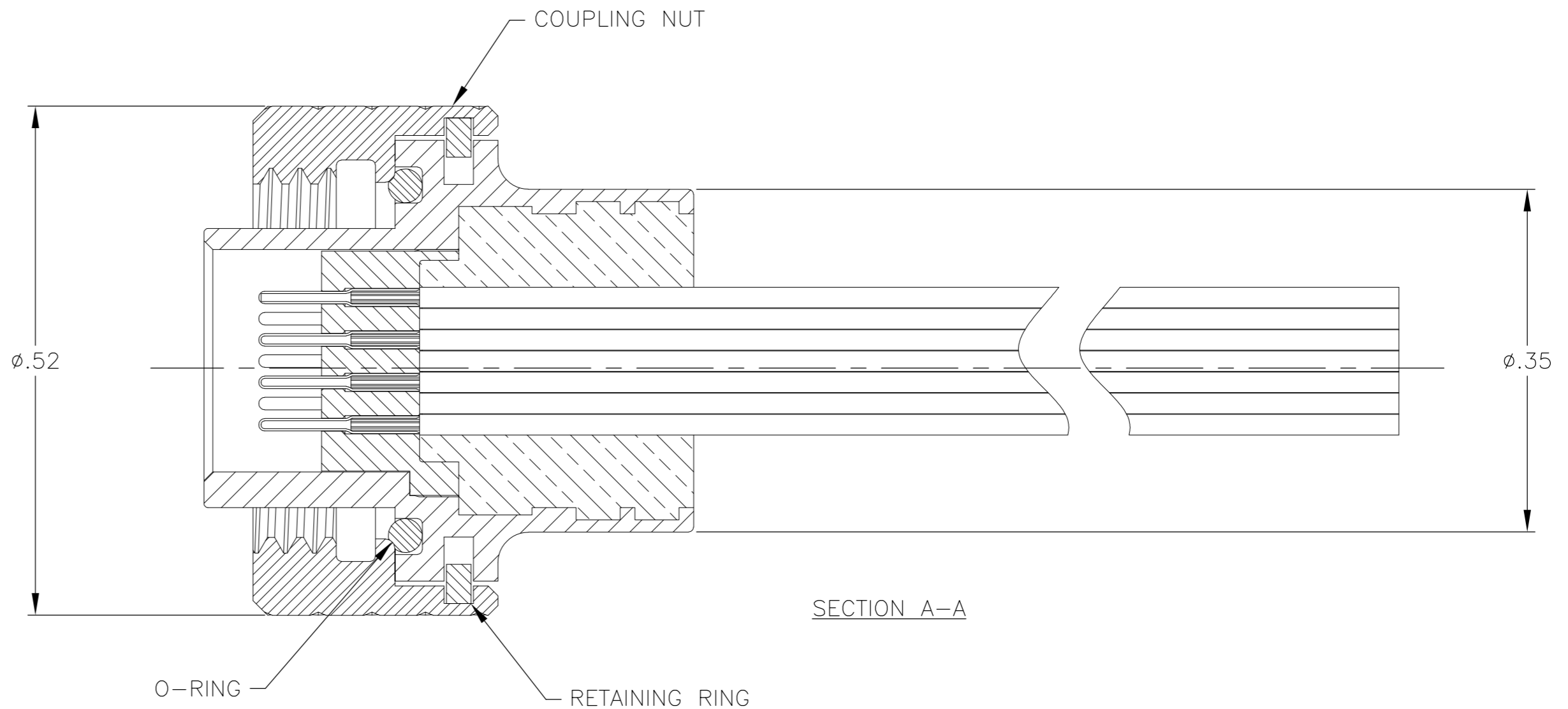
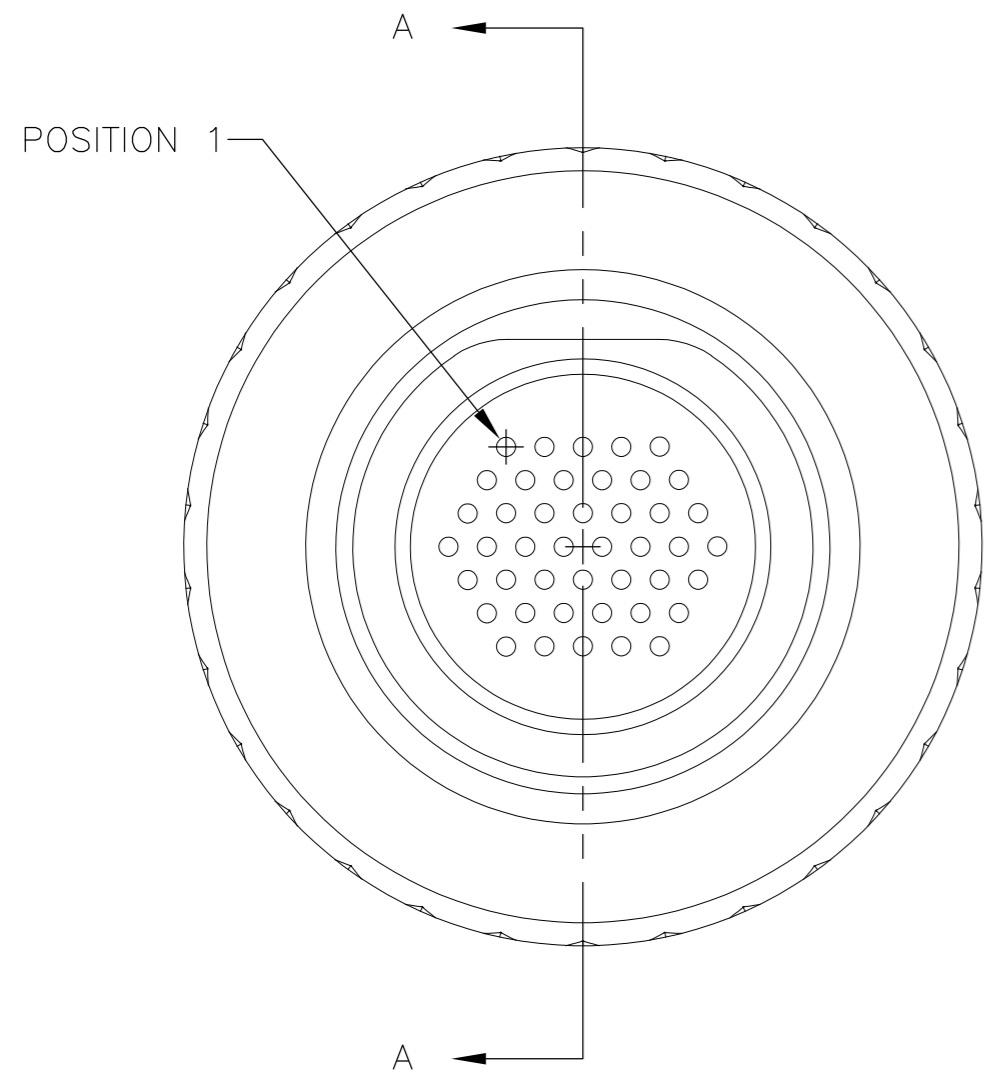
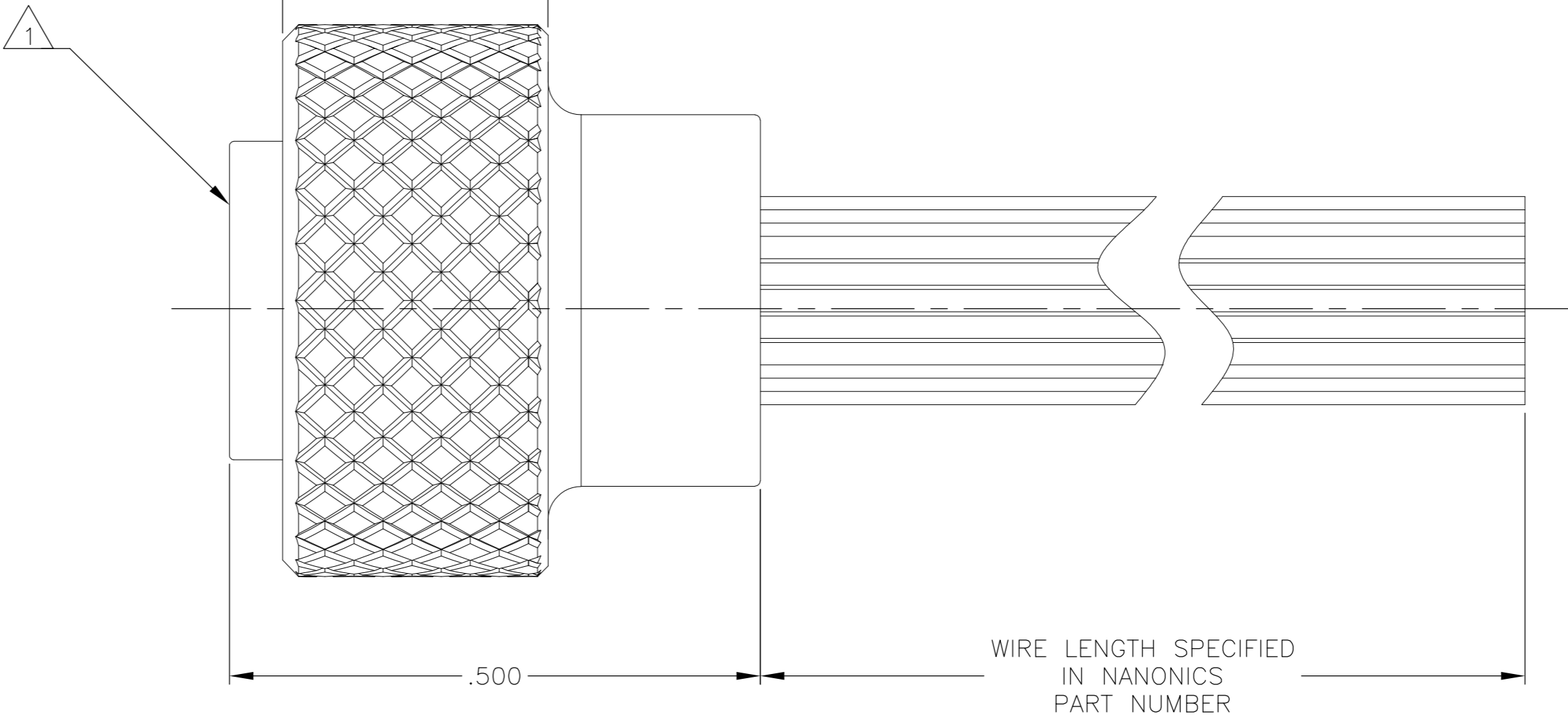
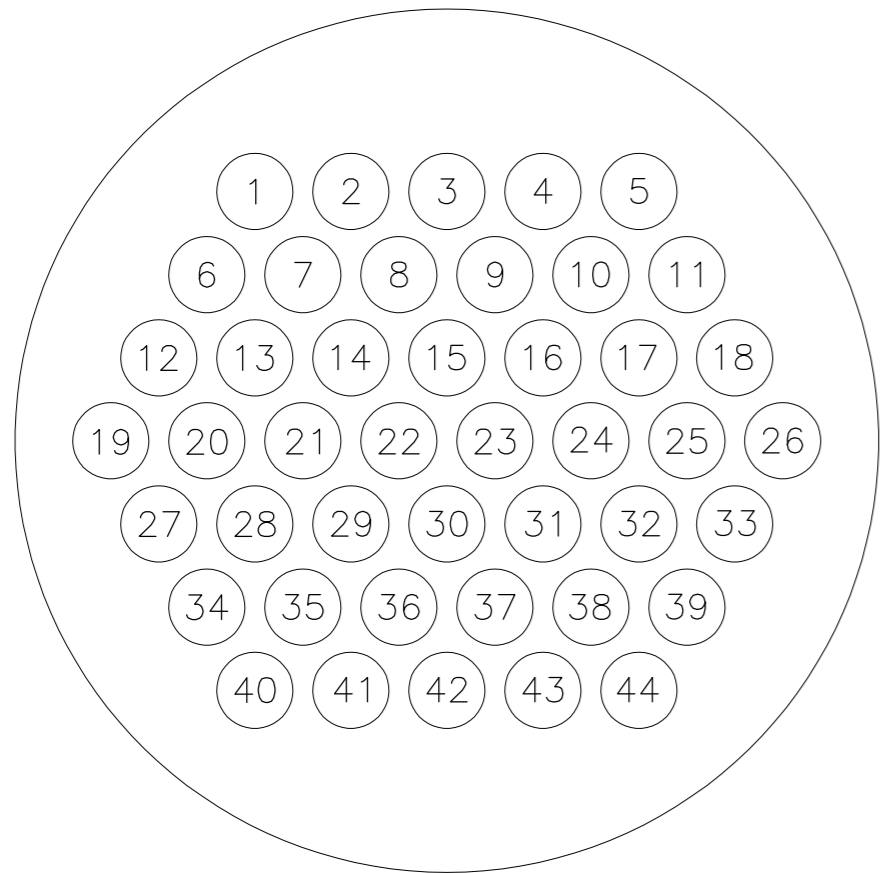


THIS DRAWING IS UNPUBLISHED. RELEASED FOR PUBLICATION  
 © COPYRIGHT - By - ALL RIGHTS RESERVED.

LOC		DIST		REVISIONS			
P	LTR	DESCRIPTION		DATE	DWN	APVD	
	G	UPDATE PER ECO-11-013272		28 JUN 11	CAS	MKS	

CONTACT IDENTIFICATION



- 1 CONNECTOR BODY AND COUPLING NUT MATERIAL: 6061-T6 ALUMINUM, GOLD PLATED PER MIL-DTL-45204  
 INSULATOR MATERIAL: LIQUID CRYSTAL POLYMER (LCP) PER ASTM D5138 OR POLYPHENYLENE SULFIDE (PPS) PER ASTM D4067  
 RETAINING RING MATERIAL: STAINLESS STEEL, PASSIVATED PER SAE-AMS-2700  
 O-RING MATERIAL: NITRILE
- 2 WIRE TERMINATION: 28 AWG SOLID, 30 AWG STRANDED WIRE OR SMALLER
- 3 PREVIOUS NANONICS DRAWING NUMBER C66011

THIS DRAWING IS A CONTROLLED DOCUMENT.		DWN	M. STORRY	05-06-97		TE Connectivity		
DIMENSIONS: INCHES		CHK	E. PAULUS	09-05-97		NAME		
TOLERANCES UNLESS OTHERWISE SPECIFIED:		APVD	M. STORRY	04-24-02		PLUG ASSEMBLY, 44 POSITION, CIRCULAR, NCG SERIES		
0 PLC ± - 1 PLC ± - 2 PLC ± .010 3 PLC ± .005 4 PLC ± - ANGLES ± 1°		PRODUCT SPEC				SIZE	A2	OPJN9
MATERIAL SEE NOTE		FINISH	SEE NOTE		CAGE CODE	C=1589429		
		WEIGHT	-		DRAWING NO	1589429		
		CUSTOMER DRAWING		SCALE	8:1	SHEET	1 of 1	
				REV	G			

## X-ON Electronics

Largest Supplier of Electrical and Electronic Components

*Click to view similar products for [Standard Circular Connector](#) category:*

*Click to view products by [TE Connectivity](#) manufacturer:*

Other Similar products are found below :

[C015](#) [10F006](#) [001](#) [1](#) [5M2530B10P](#) [600259N006](#) [600273N007](#) [600432N009](#) [6280-2PG-519](#) [6280-3PG-311](#) [6280-3SG-311](#) [6280-7SG-3DC](#)  
[6280-7SG-522](#) [6282-2SG-321](#) [6282-5PG-311](#) [6282-6PG-519](#) [6282-8SG-311](#) [6283-11](#) [6283-15](#) [6290](#) [6382-2PG-311](#) [6382-2PG-3DC](#) [6382-](#)  
[2SG-321](#) [6382-2SG-3DC](#) [6382-4SG-516](#) [680-SMG](#) [681-PMG](#) [CXS3102A14S2P](#) [CXS3102A181S](#) [CXS3106A14S6S](#) [D38999/20FC8SA L/C](#)  
[MB12P-1](#) [7251-2PG-300](#) [7251-2SG-300](#) [7251-4PG-300](#) [7251-4SG-300](#) [7251-5PG-300](#) [7251-5SG-300](#) [7251-6SG-300](#) [7251-7PG-300](#) [7251-](#)  
[8PG-300](#) [7271-6SG-300](#) [7282-3PG-300-CH3](#) [7282-8PG-3ES](#) [73000005663](#) [75-190216-08S](#) [75-190218-10P](#) [75-474618-01S](#) [75-474620-07P](#)  
[799539-000](#) [MI8-SE](#) [80-190222-18P](#) [805-005-07NF11-19PC](#)