

2 WAY MALE, BLACK WATERPROOF VERSION WITH RETAINER

ASSEMBLY	
T&B UNIVERSAL PART No	106049
TE PART No.	0-1437710-8
T&B FORD PART No	NPITA-00R2XX
FORD PART No	91AG-14A464-BBC
TE PART No.	5-1437710-6

⚠️ OBSOLETE, SUPERSEDED BY 5-1437710-6

2 WAY MALE, NATURAL WATERPROOF VERSION WITH RETAINER

ASSEMBLY	
T&B UNIVERSAL PART No	106049-N
TE PART No.	1-1437710-0
T&B FORD PART No	NPITA-NOR2XX
FORD PART No	91AG-14A464-BBC
TE PART No.	6-1437710-7

⚠️ OBSOLETE, SUPERSEDED BY 6-1437710-7

2 WAY MALE, RED WATERPROOF VERSION WITH RETAINER

ASSEMBLY	
T&B UNIVERSAL PART No	106049-R
TE PART No.	1-1437710-1
T&B FORD PART No	NPITA-ROR2XX
FORD PART No	91AG-14A464-BBC
TE PART No.	7-1437710-0

⚠️ OBSOLETE, SUPERSEDED BY 7-1437710-0

2 WAY MALE, GREY WATERPROOF VERSION WITH RETAINER

ASSEMBLY	
T&B UNIVERSAL PART No	106049-G
TE PART No.	6-1437710-4
T&B FORD PART No	NPITA-GOR2XX
FORD PART No	91AG-14A464-BBC
TE PART No.	6-1437710-4

2 WAY MALE, YELLOW WATERPROOF VERSION WITH RETAINER

ASSEMBLY	
T&B UNIVERSAL PART No	106049-Y
TE PART No.	7-1437710-3
T&B FORD PART No	NPITA-YOR2XX
FORD PART No	91AG-14A464-BBC
TE PART No.	7-1437710-3

2 WAY MALE, BLUE WATERPROOF VERSION WITH RETAINER

ASSEMBLY	
T&B UNIVERSAL PART No	106049-D
TE PART No.	0-1437710-9
T&B FORD PART No	NPITA-DOR2XX
FORD PART No	91AG-14A464-BBC
TE PART No.	6-1437710-0

⚠️ OBSOLETE, SUPERSEDED BY 6-1437710-0

2 WAY MALE, BLACK WATERPROOF VERSION WITHOUT RETAINER

ASSEMBLY	
T&B UNIVERSAL PART No	106047
TE PART No.	5-1437710-5
T&B FORD PART No	NPITA-0002XX
FORD PART No	89FG-14A464-ABB
TE PART No.	5-1437710-5

2 WAY MALE, NATURAL WATERPROOF VERSION WITHOUT RETAINER

ASSEMBLY	
T&B UNIVERSAL PART No	106047-N
TE PART No.	6-1437710-6
T&B FORD PART No	NPITA-N002XX
FORD PART No	89FG-14A464-ABB
TE PART No.	6-1437710-6

2 WAY MALE, RED WATERPROOF VERSION WITHOUT RETAINER

ASSEMBLY	
T&B UNIVERSAL PART No	106047-R
TE PART No.	-
T&B FORD PART No	NPITA-R002XX
FORD PART No	89FG-14A464-ABB
TE PART No.	-

2 WAY MALE, GREY WATERPROOF VERSION WITHOUT RETAINER

ASSEMBLY	
T&B UNIVERSAL PART No	106047-G
TE PART No.	6-1437710-3
T&B FORD PART No	NPITA-G002XX
FORD PART No	89FG-14A464-ABB
TE PART No.	6-1437710-3

2 WAY MALE, YELLOW WATERPROOF VERSION WITHOUT RETAINER

ASSEMBLY	
T&B UNIVERSAL PART No	106047-Y
TE PART No.	7-1437710-2
T&B FORD PART No	NPITA-Y002XX
FORD PART No	89FG-14A464-ABB
TE PART No.	7-1437710-2

2 WAY MALE, BLUE WATERPROOF VERSION WITHOUT RETAINER

ASSEMBLY	
T&B UNIVERSAL PART No	106047-D
TE PART No.	5-1437710-9
T&B FORD PART No	NPITA-D002XX
FORD PART No	89FG-14A464-ABB
TE PART No.	5-1437710-9

2 WAY MALE, BLACK NON WATERPROOF VERSION WITH RETAINER

ASSEMBLY	
T&B UNIVERSAL PART No	106050
TE PART No.	1-1437710-2
T&B FORD PART No	NPITA-0AR2XX
FORD PART No	91AG-14489-BBC
TE PART No.	5-1437710-8

⚠️ OBSOLETE, SUPERSEDED BY 5-1437710-8

2 WAY MALE, NATURAL NON WATERPROOF VERSION WITH RETAINER

ASSEMBLY	
T&B UNIVERSAL PART No	106050-N
TE PART No.	6-1437710-9
T&B FORD PART No	NPITA-NAR2XX
FORD PART No	91AG-14489-BBC
TE PART No.	6-1437710-9

2 WAY MALE, RED NON WATERPROOF VERSION WITH RETAINER

ASSEMBLY	
T&B UNIVERSAL PART No	106050-R
TE PART No.	7-1437710-1
T&B FORD PART No	NPITA-RAR2XX
FORD PART No	91AG-14489-BBC
TE PART No.	7-1437710-1

2 WAY MALE, GREY NON WATERPROOF VERSION WITH RETAINER

ASSEMBLY	
T&B UNIVERSAL PART No	106050-G
TE PART No.	-
T&B FORD PART No	NPITA-GAR2XX
FORD PART No	91AG-14489-BBC
TE PART No.	-

2 WAY MALE, YELLOW NON WATERPROOF VERSION WITH RETAINER

ASSEMBLY	
T&B UNIVERSAL PART No	106050-Y
TE PART No.	7-1437710-5
T&B FORD PART No	NPITA-YAR2XX
FORD PART No	91AG-14489-BBC
TE PART No.	7-1437710-5

2 WAY MALE, BLUE NON WATERPROOF VERSION WITH RETAINER

ASSEMBLY	
T&B UNIVERSAL PART No	106050-D
TE PART No.	6-1437710-2
T&B FORD PART No	NPITA-DAR2XX
FORD PART No	91AG-14489-BBC
TE PART No.	6-1437710-2

2 WAY MALE, BLACK NON WATERPROOF VERSION WITHOUT RETAINER

ASSEMBLY	
T&B UNIVERSAL PART No	106048
TE PART No.	0-1437710-7
T&B FORD PART No	NPITA-0A02XX
FORD PART No	89FG-14489-ABB
TE PART No.	5-1437710-7

⚠️ OBSOLETE, SUPERSEDED BY 5-1437710-7

2 WAY MALE, NATURAL NON WATERPROOF VERSION WITHOUT RETAINER

ASSEMBLY	
T&B UNIVERSAL PART No	106048-N
TE PART No.	6-1437710-8
T&B FORD PART No	NPITA-NA02XX
FORD PART No	89FG-14489-ABB
TE PART No.	6-1437710-8

2 WAY MALE, RED NON WATERPROOF VERSION WITHOUT RETAINER

ASSEMBLY	
T&B UNIVERSAL PART No	106048-R
TE PART No.	-
T&B FORD PART No	NPITA-RA02XX
FORD PART No	89FG-14489-ABB
TE PART No.	-

2 WAY MALE, GREY NON WATERPROOF VERSION WITHOUT RETAINER

ASSEMBLY	
T&B UNIVERSAL PART No	106048-G
TE PART No.	6-1437710-5
T&B FORD PART No	NPITA-GA02XX
FORD PART No	89FG-14489-ABB
TE PART No.	6-1437710-5

2 WAY MALE, YELLOW NON WATERPROOF VERSION WITHOUT RETAINER

ASSEMBLY	
T&B UNIVERSAL PART No	106048-Y
TE PART No.	7-1437710-4
T&B FORD PART No	NPITA-YA02XX
FORD PART No	89FG-14489-ABB
TE PART No.	7-1437710-4

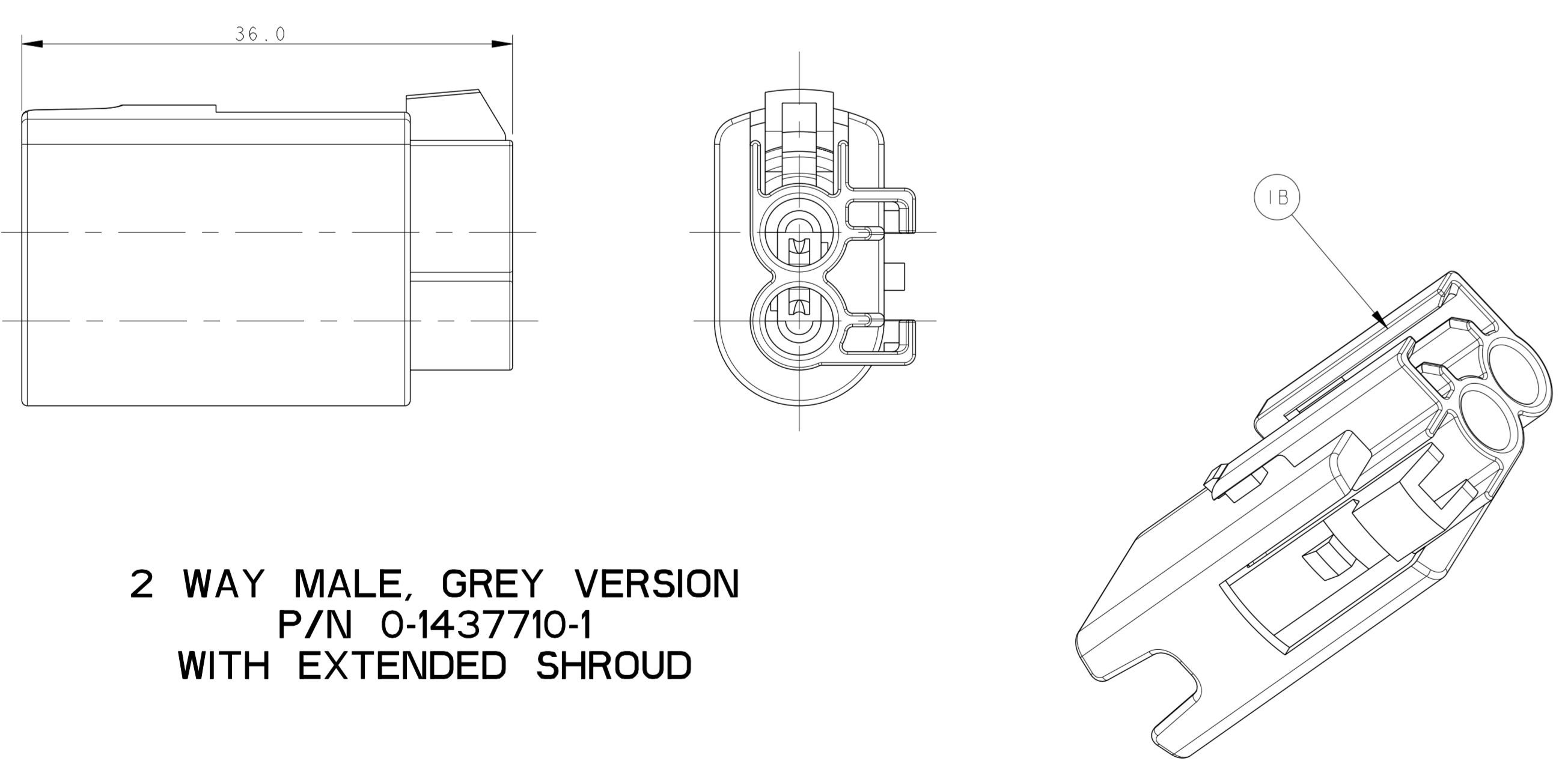
2 WAY MALE, BLUE NON WATERPROOF VERSION WITHOUT RETAINER

ASSEMBLY	
T&B UNIVERSAL PART No	106048-D
TE PART No.	6-1437710-1
T&B FORD PART No	NPITA-DA02XX
FORD PART No	89FG-14489-ABB
TE PART No.	6-1437710-1

2 WAY MALE, GREY WATERPROOF VERSION WITH EXTENDED SHROUD

ASSEMBLY	
T&B PART No	2450159-001
FORD PART No	98AG-14A464-DBA
TE PART No.	0-1437710-1

⚠️ IMPORTANT! ADD COLOUR AT ORDERS WITH FORD-PN'S
 E.G. 91AG-14A464-BBC RED



2 WAY MALE, GREY VERSION P/N 0-1437710-1 WITH EXTENDED SHROUD

										DESCRIPTION	ITEM
										HOUSING WITH RETAINER (BLACK)	1
										HOUSING WITHOUT RETAINER (BLACK)	1
										HOUSING WITH RETAINER (NATURAL)	1
										HOUSING WITHOUT RETAINER (NATURAL)	1
										HOUSING WITH RETAINER (RED)	1
										HOUSING WITHOUT RETAINER (RED)	1
										HOUSING WITH RETAINER (YELLOW)	1
										HOUSING WITHOUT RETAINER (YELLOW)	1
										HOUSING WITH RETAINER (GRAY)	1
										HOUSING WITHOUT RETAINER (GRAY)	1
										HOUSING WITH RETAINER (BLUE)	1
										HOUSING WITHOUT RETAINER (BLUE)	1
										HOUSING WITH EXTENDED SHROUD WITH RETAINER (GRAY)	1B
										SPACER (RED)	2
										SPACER (LIGHT BLUE)	2
										SEAL (REDDISH BROWN)	3

PART AS SUPPLIED				COMPONENTS			COLOURS			MATERIALS		
TE PART No.	DESCRIPTION	WATERPROOF	WEIGHT	1 HOUSING	2 SPACER	3 SEAL	1 HOUSING	2 SPACER	3 SEAL	1 HOUSING	2 SPACER	3 SEAL
-	2 WAY MALE CONNECTOR WITH EXTENDED SHROUD	YES	-	1	1	1						
0-1437710-1	2 WAY MALE CONNECTOR WITH EXTENDED SHROUD WITH RETAINER	YES	5.46 gr.	1	1	1						
-	2 WAY MALE CONNECTOR WITH EXTENDED SHROUD	NO	-	1	1							
-	2 WAY MALE CONNECTOR WITH EXTENDED SHROUD WITH RETAINER	NO	-	1	1							

SUITABLE FOR

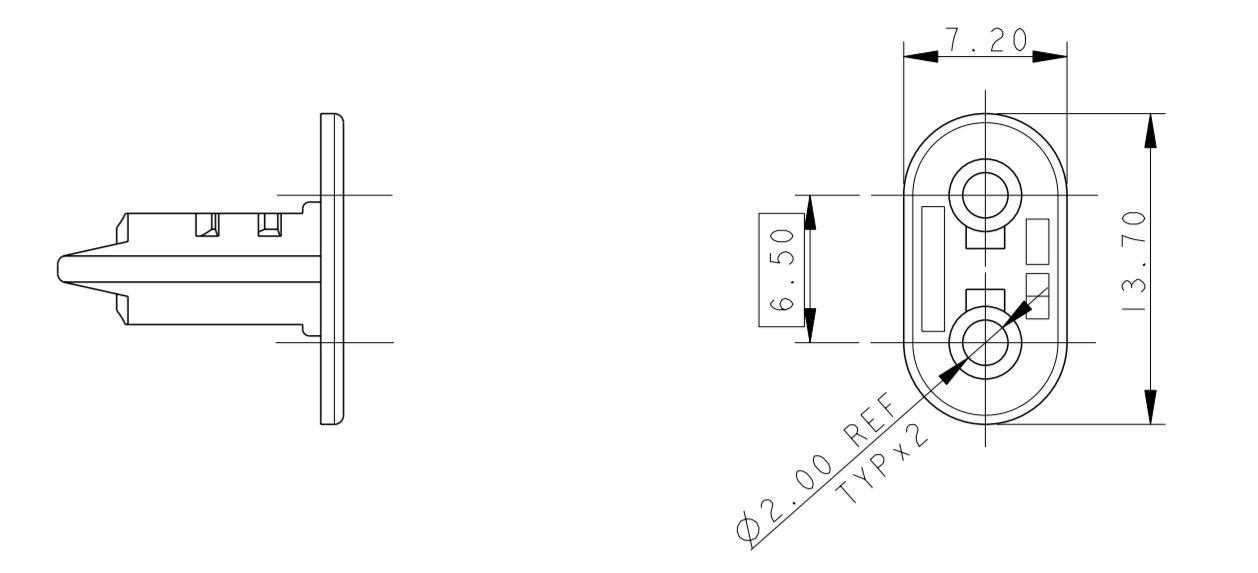
TERMINAL FEMALE	WIRE SEAL	BLIND PLUG
0-1437709-9 (0.22-0.35mm ²) GOLD PLATED		
1-1437709-0 (0.50-1.00mm ²) GOLD PLATED	1-1437713-1 (0.22-0.35) BLACK	
1-1437709-7 (1.50mm ²) GOLD PLATED	1-1437713-2 (0.50-1.00) RED	
1-1437709-4 (0.22-0.35mm ²) TIN PLATED	1-1437713-3 (1.50) BLUE	
1-1437709-5 (0.50-1.00mm ²) TIN PLATED		
1-1437709-6 (1.50mm ²) TIN PLATED		1-1437713-4

MATING PARTS

TE PART No.	DESCRIPTION
-	2 WAY FEMALE CONNECTOR WATERPROOF
-	2 WAY FEMALE CONNECTOR NON WATERPROOF

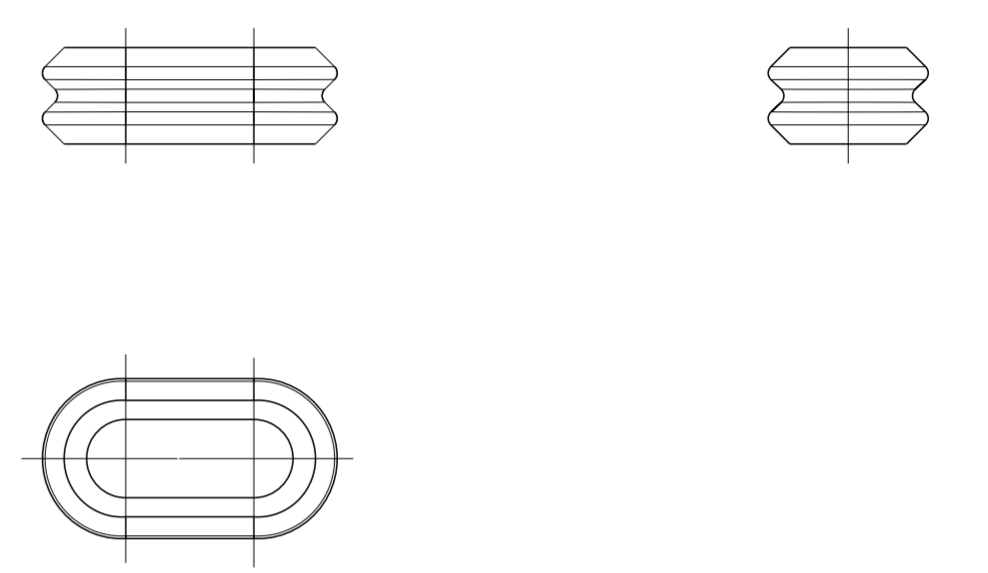
2 SPACER

WATERPROOF (LIGHT BLUE)
 NOT WATERPROOF (RED)



3 SEAL

WATERPROOF



X-ON Electronics

Largest Supplier of Electrical and Electronic Components

Click to view similar products for [Automotive Connectors](#) category:

Click to view products by [TE Connectivity](#) manufacturer:

Other Similar products are found below :

[003-018-000](#) [600858](#) [60403001](#) [60993906-B](#) [60993913-B](#) [629515004020001](#) [M83723/71R1808N L/C](#) [M902-2131](#) [M902-2161](#) [M902-2344](#)
[72.330.1035.1](#) [73.353.4028.0](#) [F118010](#) [F119300-B](#) [F132210](#) [F166900](#) [F180100](#) [F258300](#) [F258300-B](#) [F294300-B](#) [F339100](#) [F339700](#)
[F358300-B](#) [F374110](#) [F407400](#) [F412210](#) [F444110](#) [F487000](#) [F495100](#) [F500900-B](#) [F509500B-B](#) [770444-1](#) [827153-1](#) [881735-1](#)
[8N1515-32-24P](#) [9-1326729-8](#) [925467-1](#) [925474-1](#) [928905-1](#) [936398-2](#) [964562-4](#) [964731-2](#) [968782-1](#) [GT17SA-8DS-HU](#) [GT17VS-10DP-](#)
[5.2CF](#) [98315-0001](#) [98315-0010](#) [98891-1012](#) [98895-2014](#) [98936-1039](#)