

## ODC Series DC Output Module

**c** **us** File E29244

Users should thoroughly review the technical data before selecting a product part number. It is recommended that users also seek out the pertinent approvals files of the agencies/laboratories and review them to ensure the product meets the requirements for a given application.

### Features

- Industry standard package and pin-out.
- Color coded by function.
- 4000V rms optical isolation.
- High immunity to false operation.
- Series compatible.
- Output modules can be controlled from sinking or sourcing logic.
- Compatible with 2IO series mounting boards.

### Engineering Data

**Switch Form:** 1 Form A (SPST-NO)  
**Duty:** Continuous.  
**Operating Temperature:** -30°C to +80°C.  
**Storage Temperature:** -30°C to +100°C.  
**Potting Compound Flammability:** UL94V-0.  
**Approximate Weight:** 1.38 oz. (35g).

### Ordering Information

Typical Part Number > **ODC -5 A**

**1. Basic Series:** ODC = DC Output module — red case

**2. Input Voltage:** 5 = 5VDC  
 15 = 15VDC  
 24 = 24VDC

**3. Output:** Blank = 3A, 3-60VDC output\*\*  
 A = 1A, 3-250VDC output\*\*

\*\* Is not polarity sensitive.

**Our authorized distributors are more likely to maintain the following items in stock for immediate delivery.**

ODC-5  
 ODC-5A  
 ODC-15  
 ODC-15A  
 ODC-24

### Input Specifications

Parameter	Conditions	Units	ODC-5 ODC-5A			ODC-15 ODC15A			ODC-24 ODC-24A		
			Min.	Typ.	Max.	Min.	Typ.	Max.	Min.	Typ.	Max.
Control Voltage Range $V_{IN}$		VDC	3	5	8	9	15	18	18	24	32
Must Operate Voltage $V_{IN(OP)}$		VDC			3			9			18
Must release Voltage $V_{IN(REL)}$		VDC	1			1			1		
Maximum Input Current	@ $V_{IN}$ =Nominal	mADC		8 - 20			13 - 20			8 - 20	
Input Resistance $R_{IN}$		Ohms	Current Regulator								

PIN-3 must be positive with respect to PIN-4 for correct operation.

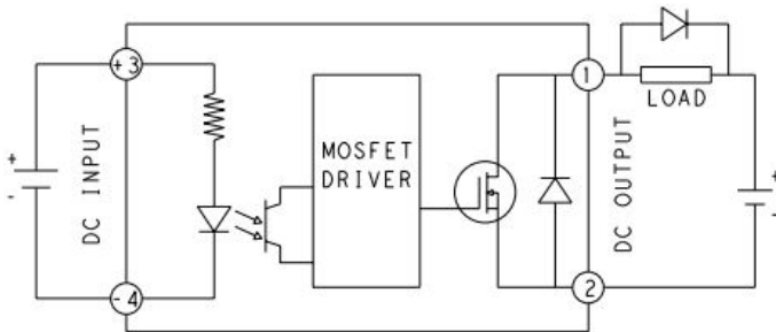
**ODC Series** (Continued)  
**DC Output Module**

**Output Specifications (@ +25°C unless otherwise specified)**

Parameter	Conditions	Units	ODC-5			ODC-5A		
			ODC-15		ODC-24	ODC-15A		ODC-24A
			Min.	Typ.	Max.	Min.	Typ.	Max.
Load Voltage $V_L$		VDC	3		60	3		250
Load Current $I_L$		ADC		3			1	
Maximum Surge Current for 1 Second		ADC		33			8	
Maximum Leakage Current (Off-State)	$V_L=MAX$	$\mu ADC$			500			500
Maximum On-State Voltage Drop	$I_L=MAX$	VDC			1.5			1.5
Maximum Turn-On Time		ms			0.1			0.1
Maximum Turn-Off Time		ms			0.75			0.75

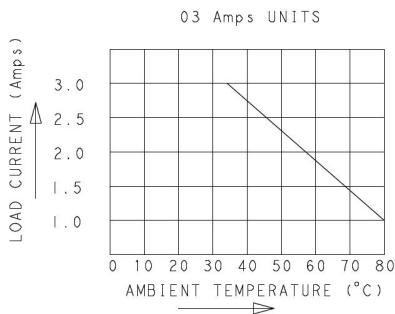
PIN-1 must be positive with respect to PIN-2 for correct operation.

**ODC Operating Diagram**

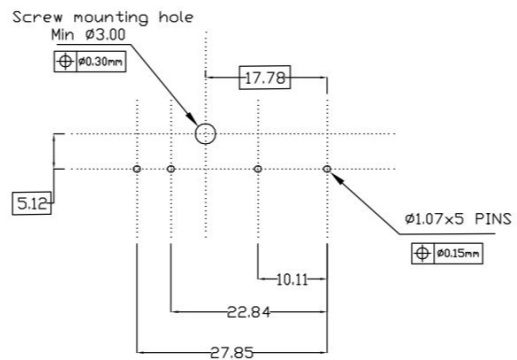


**ODC Derating Diagram**

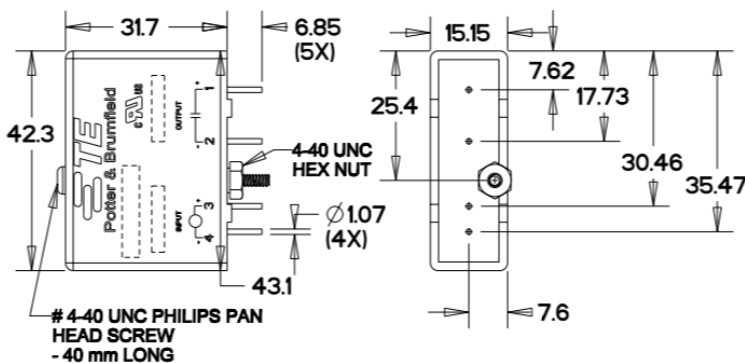
**DERATING CURVE:**



**PCB Layout**



**Outline Dimensions**



**Note :** Extra nut and washer will be provided on the screw, which will go under PCB to fix the relay.

Hex Nut S= 6.35 (width across flats)  
Thickness = 2.40  
Washer = OD :  $\Phi 4.85 \pm 0.25$   
ID :  $\Phi 2.75 \pm 0.15$   
Thickness : 0.55

**DIMENSION IN mm**

## X-ON Electronics

Largest Supplier of Electrical and Electronic Components

*Click to view similar products for [I/O Modules](#) category:*

*Click to view products by [TE Connectivity](#) manufacturer:*

Other Similar products are found below :

[70L-IDC5S](#) [70L-OAC-L](#) [70Z3289-4](#) [G21960000700](#) [G21960002700](#) [G34960002700](#) [G88104401](#) [OACU](#) [C4SWOUT](#) [PB16H](#)  
[G34960001700](#) [G3TA-OA101SZ-1](#) [DC24](#) [G77-S](#) [G78-16-E](#) [5607189](#) [DA5](#) [ODC-24A](#) [IDC5P](#) [FC6A-N16B1](#) [6421](#) [FC6A-N32B3](#)  
[70MRCQ32-HL](#) [G3TAOD201SDC24](#) [C200H-LK201-V1](#) [G3TA-OA202SZ-US](#) [DC12](#) [GT1-OD16](#) [GT1-AD04CST](#) [B7AM-6BS](#) [70GRCQ24-](#)  
[HS](#) [6422](#) [84110410](#) [GT1-OD16MX](#) [G7VC-OC16-B7](#) [70MRCK24-DIN](#) [6202](#) [6402](#) [PI/NI-2D/24](#) [FC6A-J2C1](#) [FC6A-KC1C](#) [FC6A-R081](#)  
[FC6A-J8CU1](#) [GP32900003700](#) [641-480-5022](#) [PB16H](#) [84145010](#) [84110210](#) [FRUSB1601](#) [PCL-720+-BE](#) [FRRJ451601](#) [AP24MX3DB25F](#)