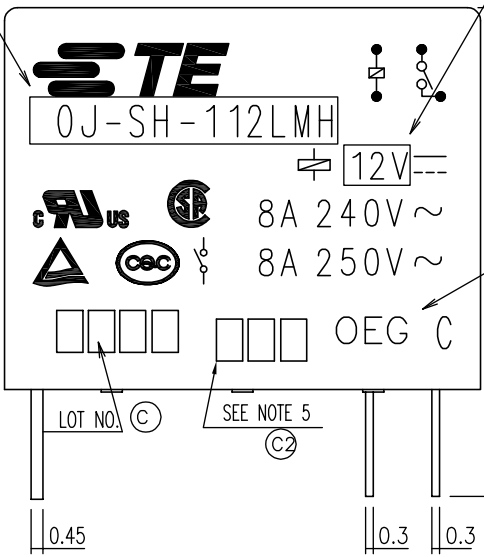


THIS DRAWING IS UNPUBLISHED. RELEASED FOR PUBLICATION
 © COPYRIGHT - By - TE CONNECTIVITY ALL RIGHTS RESERVED.

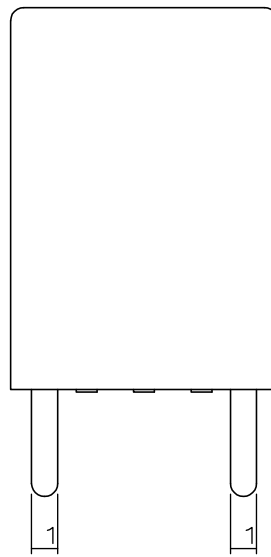
LOC	DIST	REVISIONS					
P	LTR	DESCRIPTION	DATE	DWN	APVD		
HB	-	C2	CHANGE LOGO&ADD LINE IDENTIFICATION	EC0-12-001771	21Aug2012	YS.H	BH.Y



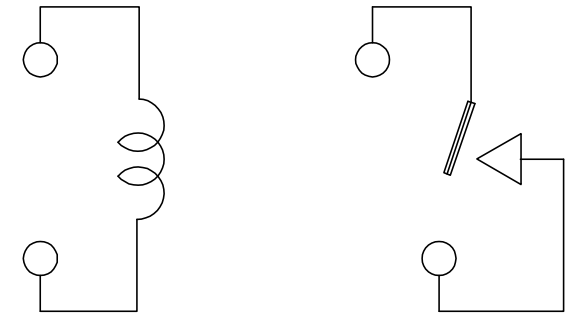
PART A



PART B



C:MADE IN CHINA



CONNECTION FIGURE

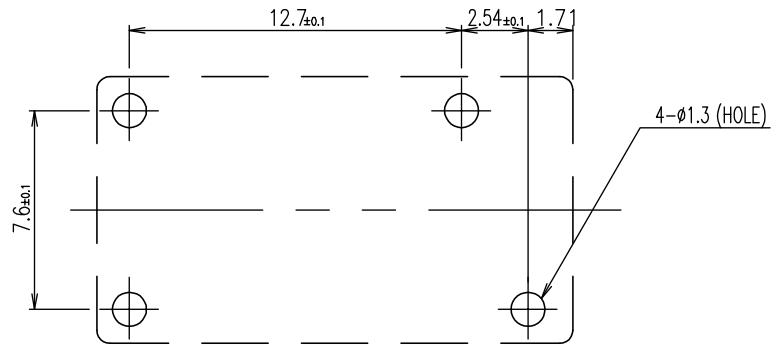
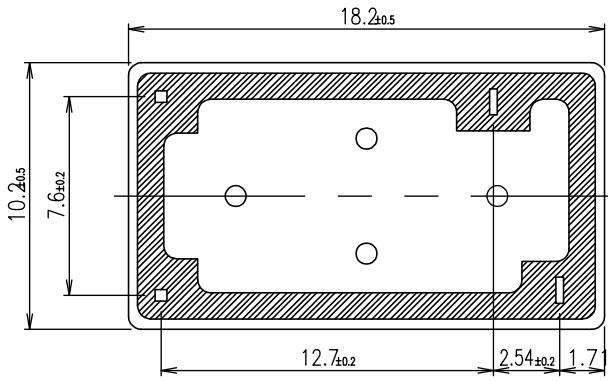


FIGURE FOR PRINTED CIRCUIT BOARD PROCESSING (BOTTOM VIEW)



THIS DRAWING IS A CONTROLLED DOCUMENT.		DWN	H.Sasaki		TE Connectivity				
DIMENSIONS: mm		CHK	Y.Oikawa						
TOLERANCES UNLESS OTHERWISE SPECIFIED:		APVD	A.Nagai		NAME				
0 PLC ±- 1 PLC ±- 2 PLC ±- 3 PLC ±- 4 PLC ±- ANGLES ±-		PRODUCT SPEC	-		OJ-SH-LMH SPEC 000				
MATERIAL		FINISH	-		SIZE	CAGE CODE	DRAWING NO	RESTRICTED TO	
-		-		WEIGHT	-		-		
CUSTOMER DRAWING				SCALE	5:1	SHEET	1 of 2	REV	C2

THIS DRAWING IS UNPUBLISHED. RELEASED FOR PUBLICATION
 © COPYRIGHT - By - TE CONNECTIVITY ALL RIGHTS RESERVED.

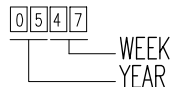
LOC	DIST	REVISIONS					
		P	LTR	DESCRIPTION	DATE	DWN	APVD
HB	-		-	SEE SHEET 1	-	-	-

	PART STATUS	PART NO	DESCRIPTION	PACKAGE SPEC.	PART B	PART A	TYPE
ⓑ1	ACTIVE	1461247-3	OJ-SH-124LMH, 000	107-79010	24V	OJ-SH-124LMH	g
	ACTIVE	1419129-1	OJ-SH-118LMH, 000	107-79010	18V	OJ-SH-118LMH	f
	ACTIVE	9-1419128-8	OJ-SH-112LMH, 000	107-79010	12V	OJ-SH-112LMH	e
	ACTIVE	1461247-2	OJ-SH-109LMH, 000	107-79010	9V	OJ-SH-109LMH	d
	ACTIVE	1461247-1	OJ-SH-106LMH, 000	107-79010	6V	OJ-SH-106LMH	c
	ACTIVE	8-1419128-1	OJ-SH-105LMH, 000	107-79010	5V	OJ-SH-105LMH	b
ⓐ2	OBSOLETE	1461247-4	OJ-SH-103LMH, 000	107-79010	3V	OJ-SH-103LMH	a

RELAY TYPE

NOTES:

ⓐ2 ⓑ1 1.LOT NO. SYSTEM AS FOLLOWING:

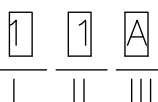


ⓐ2 2.TERMINAL DIMENSION IS BEFORE SOLDER DIP;

ⓐ2 3.FOR THE TIN-PLATING OF THE PINS:
 +0.1mm FOR WIDTH, THICKNESS AND DIAMETER.
 +0.5mm FOR LENGTH.

ⓐ2 4.MARKING FROM INK TO LASER.

ⓐ2 5.ADD LOT NO. SYSTEM AS FOLLOWING;



I, DIGITS FOR DAY OF THE WEEK
 1...MONDAY IN THIS WEEK;
 2...TUESDAY IN THIS WEEK;

 7...SUNDAY IN THIS WEEK
 II, DIGITS FOR SHIFT OF THE DAY
 1...DAY SHIFT IN THIS DAY;
 2...NIGHT SHIFT IN THIS DAY;
 III, ONE CHARACTER DISTINGUISH THE LINE
 IDENTITY,
 SUCH AS: A,B.....Z

		UV RESIN	SEAL (VENT HOLE)	16
		EPOXY RESIN	SEAL (BASE & BOBBIN)	15
		3UEW	MAGNETIC WIRE	14
94V-0		P.B.T	CASE	13
94V-0		P.B.T	BASE	12
94V-0		P.B.T	BOBBIN	11
	SOLDER DIP	C.P WIRE	COIL TERMINAL	10
94V-0		P.P.S	CARD	9
		Ag ALLOY	MOVABLE CONTACT	8
		Ag ALLOY	NO.CONTACT	7
		STEEL	HINGE SPRING	6
	SOLDER DIP	Cu ALLOY	NO.TERMINAL	5
	SOLDER DIP	Cu ALLOY	MOVABLE SPRING	4
	NIP	STEEL	CORE	3
	NIP	STEEL	ARMATURE	2
	NIP	STEEL	YOKE	1
INCOMBUSTIBILITY	TREATMENT	MATERIAL	DESCRIPTION	ITEM

THIS DRAWING IS A CONTROLLED DOCUMENT.		DWN	H.Sasaki					
		CHK	Y.Oikawa					
DIMENSIONS: mm		APVD	A.Nagai		NAME			
		TOLERANCES UNLESS OTHERWISE SPECIFIED:		OJ-SH-LMH SPEC 000				
		PRODUCT SPEC		-				
		APPLICATION SPEC		-				
MATERIAL		FINISH		SIZE	CAGE CODE	DRAWING NO	RESTRICTED TO	
				A3	00779	G= 1461247	-	
CUSTOMER DRAWING				SCALE	SHEET	REV		
				5:1	2 of 2	C2		

X-ON Electronics

Largest Supplier of Electrical and Electronic Components

Click to view similar products for [General Purpose Relays](#) category:

Click to view products by [TE Connectivity](#) manufacturer:

Other Similar products are found below :

[APF30318](#) [JVN1AF-4.5V-F](#) [PCN-105D3MHZ](#) [5JO-10000S-SIL](#) [5JO-1000CD-SIL](#) [5JO-400CD-SIL](#) [LY2S-AC220/240](#) [LYQ20DC12](#)
[6031007G](#) [6131406HQ](#) [6-1393099-3](#) [6-1393099-8](#) [6-1393122-4](#) [6-1393123-2](#) [6-1393767-1](#) [6-1393843-7](#) [6-1415012-1](#) [6-1419102-2](#) [6-](#)
[1423698-4](#) [6-1608051-6](#) [6-1608067-0](#) [6-1616170-6](#) [6-1616248-2](#) [6-1616282-3](#) [6-1616348-2](#) [6-1616350-1](#) [6-1616350-8](#) [6-1616358-7](#) [6-](#)
[1616359-9](#) [6-1616360-9](#) [6-1616931-6](#) [6-1617039-1](#) [6-1617052-1](#) [6-1617090-2](#) [6-1617090-5](#) [6-1617347-5](#) [6-1617353-3](#) [6-1617801-8](#) [6-](#)
[1617802-2](#) [6-1618107-9](#) [6-1618248-4](#) [M83536/1-027M](#) [CX-4014](#) [MAHC-5494](#) [MAVCD-5419-6](#) [703XCX-120A](#) [7-1393100-5](#) [7-1393111-7](#)
[7-1393144-5](#) [7-1393767-8](#)