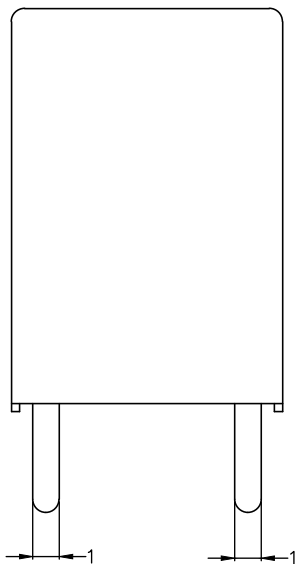
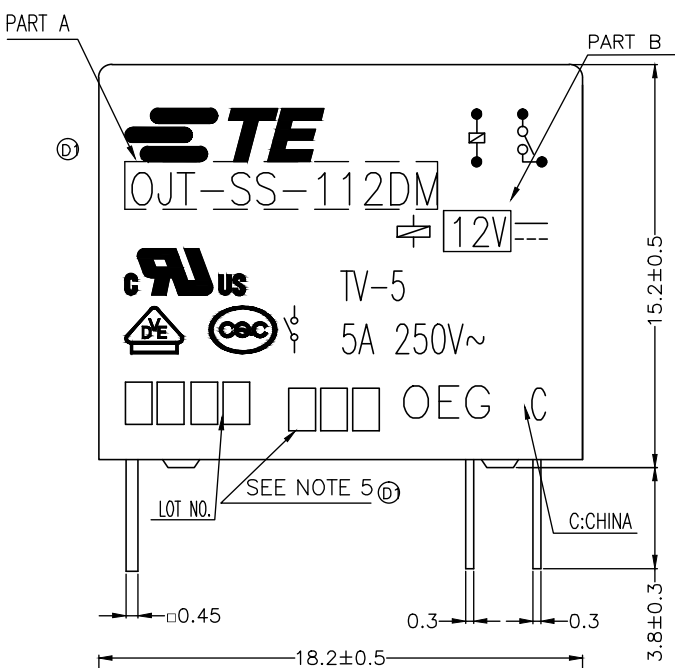
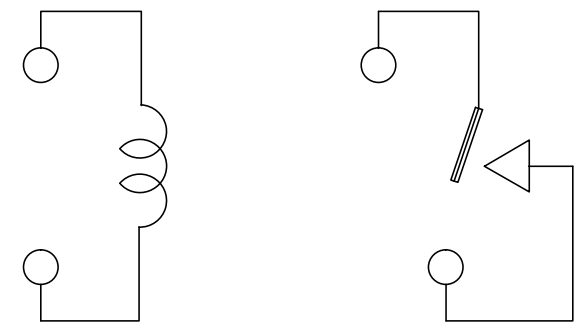
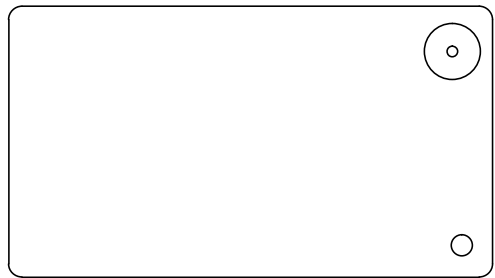


THIS DRAWING IS UNPUBLISHED. RELEASED FOR PUBLICATION
 © COPYRIGHT - By -TE CONNECTIVITY ALL RIGHTS RESERVED.

LOC	DIST	REVISIONS					
HB	-	P	LTR	DESCRIPTION	DATE	DWN	APVD
		D1		CHANGE LOGO&ADD LINE IDENTIFICATION ECO-12-001771	21Aug2012	YS.H	BH.Y
		E		UNIFY THE GROOVE OF GLUE ECO-15-012528	21Aug2012	YS.H	CSM



CONNECTION FIGURE

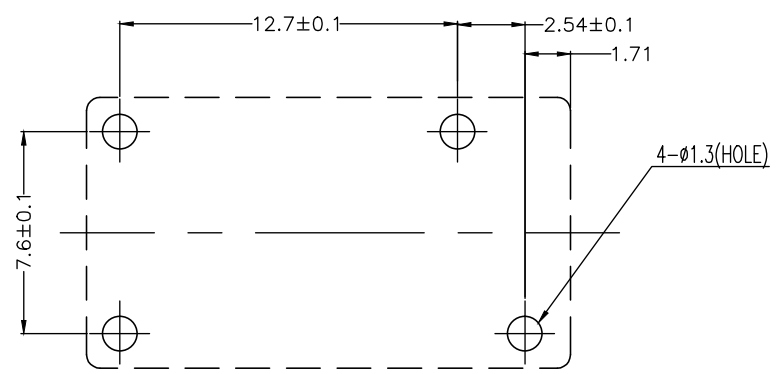
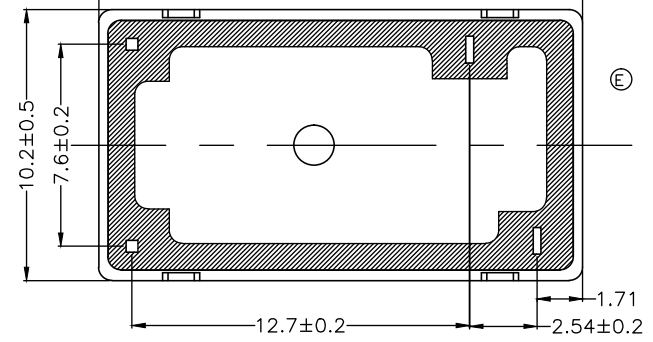


FIGURE FOR PRINTED CIRCUIT BOARD PROCESSING (BOTTOM VIEW)

Diagram dimension	Tolerance
0.99mm max.	±0.1mm
1 - 2.99mm	±0.2mm
3mm min.	±0.3mm



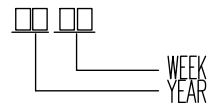
THIS DRAWING IS A CONTROLLED DOCUMENT.		DWN	Fu,Bo	-	TE Connectivity OJT-S*-1**DM,000 CUSTOMER DRAWING
DIMENSIONS: mm		CHK	Zhang,XN	-	
TOLERANCES UNLESS OTHERWISE SPECIFIED:		APVD	Yang,Wen	-	
0 PLC ± - 1 PLC ± - 2 PLC ± - 3 PLC ± - 4 PLC ± - ANGLES ± - FINISH ± -		PRODUCT SPEC	SEE SPEC TABLE		
MATERIAL	-	APPLICATION SPEC	-		NAME
		WEIGHT	-		SIZE
		CUSTOMER DRAWING		SCALE	5:1
				SHEET	1 OF 2
				REV	E

THIS DRAWING IS UNPUBLISHED. RELEASED FOR PUBLICATION
 © COPYRIGHT - By -TE CONNECTIVITY ALL RIGHTS RESERVED.

LOC	DIST	REVISIONS					
HB	-	P	LTR	DESCRIPTION	DATE	DWN	APVD
		-		SEE SHEET 1	-	-	-

1-1461116-6	QJT-SH-148DM	48V	QJT-SH-148DM	P
1-1461116-5	QJT-SH-124DM	24V	QJT-SH-124DM	o
1-1461116-4	QJT-SH-118DM	18V	QJT-SH-118DM	n
1461116-1	QJT-SH-112DM	12V	QJT-SH-112DM	m
1-1461116-2	QJT-SH-109DM	9V	QJT-SH-109DM	l
1-1461116-1	QJT-SH-106DM	6V	QJT-SH-106DM	k
1-1461116-0	QJT-SH-105DM	5V	QJT-SH-105DM	j
1461116-9	QJT-SH-103DM	3V	QJT-SH-103DM	i
1461116-8	QJT-SS-148DM	48V	QJT-SS-148DM	h
1461116-7	QJT-SS-124DM	24V	QJT-SS-124DM	g
1461116-6	QJT-SS-118DM	18V	QJT-SS-118DM	f
1-1461116-3	QJT-SS-112DM	12V	QJT-SS-112DM	e
1461116-5	QJT-SS-109DM	9V	QJT-SS-109DM	d
1461116-4	QJT-SS-106DM	6V	QJT-SS-106DM	c
1461116-3	QJT-SS-105DM	5V	QJT-SS-105DM	b
1461116-2	QJT-SS-103DM	3V	QJT-SS-103DM	a
TE PART NO	TE TYPE NAME	PART B	PART A	TYPE

① NOTES:
 1.LOT NO. SYSTEM AS FOLLOWING:



- ② 2.TERMINAL DIMENSION IS BEFORE SOLDER DIP;
- ③ 3.FOR THE TIN-PLATING OF THE PINS:
 +0.1mm FOR WIDTH,THICKENSS AND DIAMETER.
 +0.5mm FOR LENGTH.
- ④ 4.MARKING FROM INK TO LASER.

- ⑤ 5.ADD LOT NO. SYSTEM AS FOLLOWING;
- RELAY TYPE
- I, DIGITS FOR DAY OF THE WEEK
 1...MONDAY IN THIS WEEK;
 2...TUESDAY IN THIS WEEK;

 7...SUNDAY IN THIS WEEK
 - II, DIGITS FOR SHIFT OF THE DAY
 1...DAY SHIFT IN THIS DAY;
 2...NIGHT SHIFT IN THIS DAY;
 - III, ONE CHARACTER DISTINGUISH THE LINE
 IDENTITY, SUCH AS: A,B.....Z



		UV RESIN	SEAL (VENT HOLE)	16
		EPOXY RESIN	SEAL (BASE & BOBBIN)	15
		3UEW	MAGNETIC WIRE	14
94V-0		P.B.T	CASE	13
94V-0		P.B.T	BASE	12
94V-0		P.B.T	BOBBIN	11
	SOLDER DIP	C.P WIRE	COIL TERMINAL	10
94V-0		P.B.T	CARD	9
		Ag ALLOY	MOVABLE CONTACT	8
		Ag ALLOY	NO.CONTACT	7
		STEEL	HINGE SPRING	6
	SOLDER DIP	PBP	NO.TERMINAL	5
	SOLDER DIP	Cu ALLOY	MOVABLE SPRING	4
	Cu-Ni PLATED	STEEL	CORE	3
	Cu-Ni PLATED	STEEL	ARMATURE	2
	Cu-Ni PLATED	STEEL	YOKE	1
INCOMBUSTIBILITY	TREATMENT	MATERIAL	DESCRIPTION	ITEM

THIS DRAWING IS A CONTROLLED DOCUMENT.		DWN	Fu,Bo	-
DIMENSIONS: mm		CHK	Zhang,XN	-
TOLERANCES UNLESS OTHERWISE SPECIFIED:		APVD	Yang,Wen	-
	0 PLC ± -	PRODUCT SPEC	NAME	
	1 PLC ± -	SEE SPEC TABLE	OJT-S*-1**DM,000 CUSTOMER DRAWING	
	2 PLC ± -	APPLICATION SPEC	-	
	3 PLC ± -		-	
4 PLC ± -		SIZE	CAGE CODE	DRAWING NO
ANGLES ± -		A3	00779	©=1461116
MATERIAL	FINISH	WEIGHT	RESTRICTED TO	
-	-	-	-	
CUSTOMER DRAWING			SCALE	SHEET
			5:1	2 OF 2
			REV	E

X-ON Electronics

Largest Supplier of Electrical and Electronic Components

Click to view similar products for TE Connectivity manufacturer:

Other Similar products are found below :

[570416-000](#) [CLTEQ-M81CE-SSRELAY-4-20V](#) [461065-2](#) [SMD100-2](#) [8-1393148-3](#) [RP110048](#) [1-822473-1](#) [RJ45-8L2-S](#) [RM707012](#)
[TSPD11CGWW004](#) [322128](#) [4-1393138-8](#) [1-1571990-4](#) [4-176756-8](#) [RJ45-8N3-B](#) [5-6609208-9](#) [8-1419118-3](#) [749206-1](#) [1393147-2](#)
[RM202615](#) [2-640379-2](#) [222S163-25S-0](#) [V23057B6A401](#) [5-1437490-9](#) [MS27467T21B11JA](#) [MS27467T21F11J](#) [7022X3H](#) [DTS26F21-41PE-](#)
[LC](#) [DJT16E21-11JA](#) [DTS26F21-11SE-3028-LC](#) [AFD50-16-23SN-6116-LC](#) [6-1393146-9](#) [DTS26W21-41PD-LC](#) [DTS26W21-41HD-LC](#)
[DTS26W21-41HD](#) [DTS26W21-41AD](#) [603995-1](#) [DTS26W21-16SD-3028-LC](#) [6-1393146-6](#) [MMS42](#) [DTS20F23-21SB](#) [D38999/26WH21SB](#)
[D38999/32Z15N](#) [D38999/20FH21SE](#) [D38999/24WH21SB](#) [D38999/24FH21SB](#) [842723N001](#) [213904-1](#) [D38999/20FJ24SB-LC](#) [DTS20W09-](#)
[98PB](#)