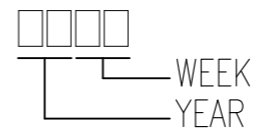
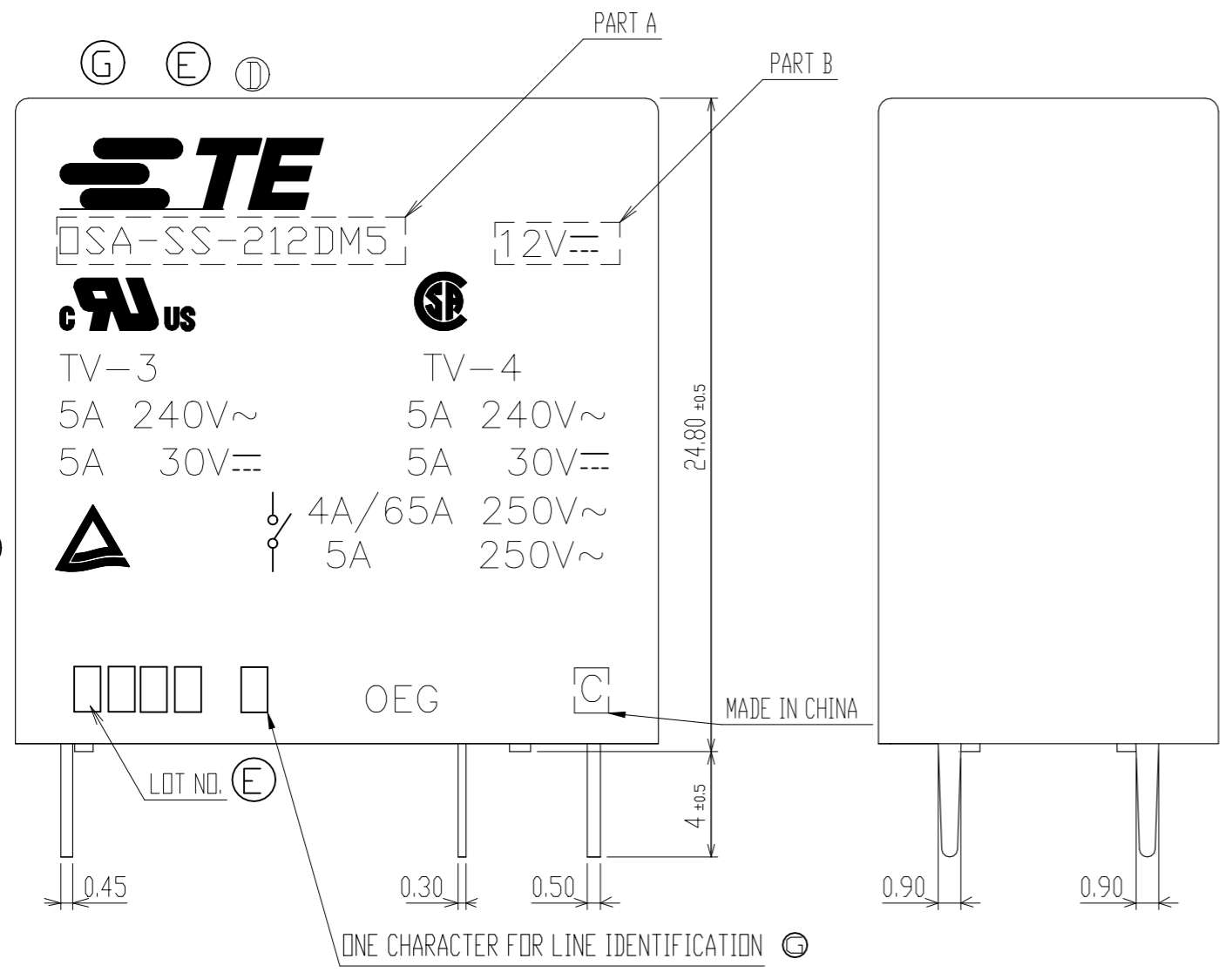


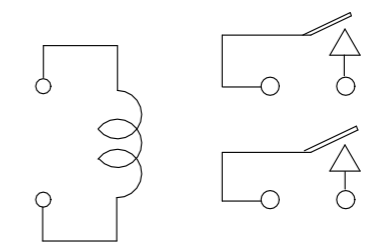
THIS DRAWING IS UNPUBLISHED. RELEASED FOR PUBLICATION  
 © COPYRIGHT - By TE Connectivity ALL RIGHTS RESERVED.

LOC	DIST	REVISIONS					
P	LTR	DESCRIPTION	DATE	DWN	APVD		
HB	-	G	1.CHANGE TE LOGO.ADD LINE IDENTIFICATION.3.TERMINALS TOLERANCE CLARIFICATION	ECO-12-005305	02-APR-12	YS.H	BH.Y
		G1	REMOVED SEMKO LOGO	ECN-21-117018	13-SEP-21	G.R	K.T

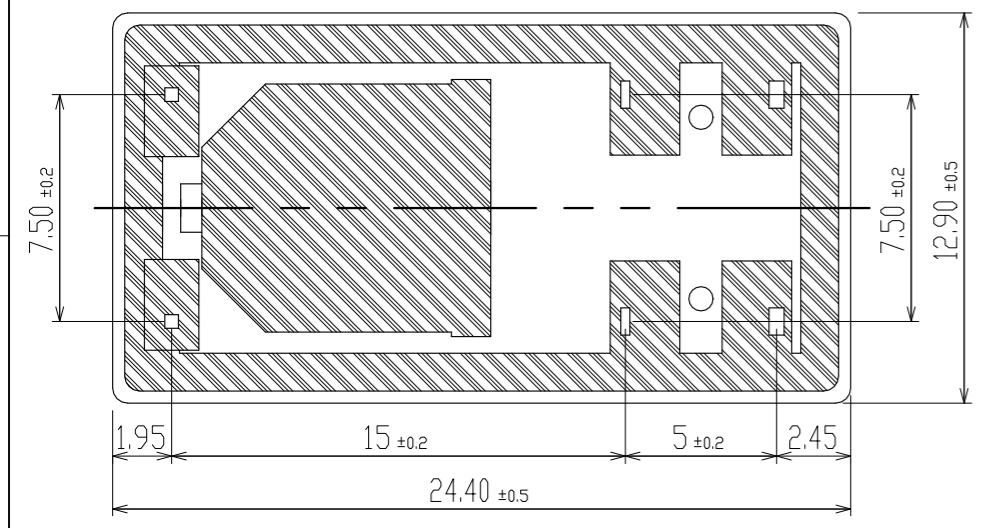
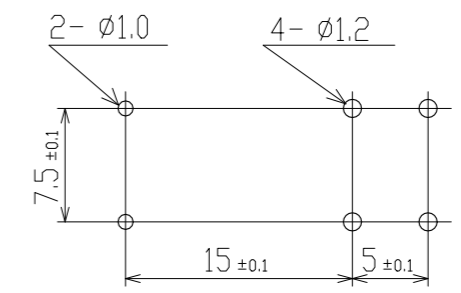
- NOTE:
- 1.TERMINAL DIMENSIONS WITHOUT TINNING.
  - 2.LOT NO. SYSTEM AS FOLLOWING:  

  - 3.FOR THE TIN-PLATING OF THE PINS:  
 +0.1mm FOR WIDTH, THICKNESS AND DIAMETER  
 +0.5mm FOR LENGTH



CONNECTION DIAGRAM(BOTTM VIEW)


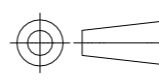


DRILLING DIAGRAM(BOTTM VIEW)



TOLERANCE

Diagram dimension	Tolerance
max. 1mm	±0.1mm
1 - 3mm	±0.2mm
min. 3mm	±0.3mm

THIS DRAWING IS A CONTROLLED DOCUMENT.		DWN H.SASAKI	 TE Connectivity			
		CHK Y.OIKAWA				
DIMENSIONS: mm		APVD A.NAGAI	NAME OSA-SH-DM5,000 ,000M			
		PRODUCT SPEC -	APPLICATION SPEC -			
MATERIAL		WEIGHT -	SIZE A3	CAGE CODE 00779	DRAWING NO 3-1419124-9	RESTRICTED TO -
CUSTOMER DRAWING			SCALE 4:1	SHEET 1 OF 2	REV G1	

THIS DRAWING IS UNPUBLISHED.

RELEASED FOR PUBLICATION

-, -

© COPYRIGHT - By TE Connectivity

ALL RIGHTS RESERVED.

LOC

DIST

REVISIONS

HB

-

P

LTR

DESCRIPTION

DATE

DWN

APVD

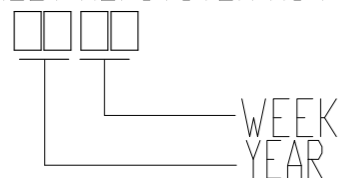
SEE SHEET 1

①	8-1440001-4	OSA-SH-224DM5	24V	OSA-SH-224DM5	n
①	8-1440001-2	OSA-SH-212DM5	12V	OSA-SH-212DM5	m
①	8-1440001-1	OSA-SH-212DM5	12V	OSA-SH-212DM5	L
①	7-1440001-9	OSA-SH-209DM5	9V	OSA-SH-209DM5	k
①	7-1440004-7	OSA-SH-205DM5	5V	OSA-SH-205DM5	j
①	1461020-7	OSA-SH-205DM5	5V	OSA-SH-205DM5	i
	1461388-6	OSA-SH-248DM5	48V	OSA-SH-248DM5	h
	1461388-4	OSA-SH-224DM5	24V	OSA-SH-224DM5	g
	1461388-3	OSA-SH-206DM5	6V	OSA-SH-206DM5	f
	4-1419124-9	OSA-SH-224DM5	24V	OSA-SH-224DM5	e
	4-1419124-0	OSA-SH-212DM5	12V	OSA-SH-212DM5	d
	3-1419124-9	OSA-SH-212DM5	12V	OSA-SH-212DM5	c
	7-1440001-8	OSA-SH-209DM5	9V	OSA-SH-209DM5	b
	7-1440004-6	OSA-SH-205DM5	5V	OSA-SH-205DM5	a
	TE CONNECTIVITY PART NO	DESCRIPTION	PART B	PART A	ITEM

RELAY TYPE

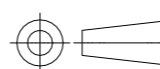
		UV RESIN	UV SEAL	15
		EPOXY RESIN	SEAL	14
94V-0		PBT	CASE	13
94V-0		PA66	CARD	12
		Ag ALLOY	STATIONARY CONTACT	11
		Cu ALLOY	STATIONARY TERMINAL	10
		Ag ALLOY	MOVABLE CONTACT	9
		Cu ALLOY	MOVABLE SPRING	8
	Cu-Ni PLATED	STEEL	ARMATURE	7
	Cu-Ni PLATED	STEEL	CORE	6
		PBS	HINGE SPRING	5
	Ni PLATED	STEEL	YDKE	4
		UEW	MAGNETIC WIRE	3
		CP WIRE	COIL TERMINAL	2
94V-0		PBT	BOBBIN	1
INCOMBUSTIBILITY	TREATMENT	MATERIAL	DESCRIPTION	ITEM

⑤ NOTE:  
1. LOT NO. SYSTEM AS FOLLOWING:



THIS DRAWING IS A CONTROLLED DOCUMENT.

DIMENSIONS:  
mm



TOLERANCES UNLESS OTHERWISE SPECIFIED:

- 0 PLC ± -
- 1 PLC ± -
- 2 PLC ± -
- 3 PLC ± -
- 4 PLC ± -
- ANGLES ± -

MATERIAL

FINISH

DWN

CHK

APVD

PRODUCT SPEC

APPLICATION SPEC

WEIGHT

CUSTOMER DRAWING



NAME

OSA-SH-DM5,000 ,000M

SIZE

CAGE CODE

DRAWING NO

RESTRICTED TO

A3

00779

G

3-1419124-9

SCALE 4:1

SHEET 2 OF 2

REV G1

## X-ON Electronics

Largest Supplier of Electrical and Electronic Components

*Click to view similar products for [General Purpose Relays](#) category:*

*Click to view products by [TE Connectivity](#) manufacturer:*

Other Similar products are found below :

[PCN-105D3MH,000](#) [59641F200](#) [5JO-1000CD-SIL](#) [LY1SAC110120](#) [5X827E](#) [5X837F](#) [5X840F](#) [5X842F](#) [5X848E](#) [LY2N-AC120](#) [LY2S-AC220/240](#) [LY2-US-AC120](#) [LY3-US-AC120](#) [LY4F-UA-DC12](#) [LY4F-UA-DC24](#) [LY4F-US-AC120](#) [LY4F-US-AC240](#) [LY4F-US-DC24](#) [LY4F-VD-AC110](#) [LYQ20DC12](#) [M115C60](#) [M115N010](#) [M115N0150](#) [6031007G](#) [603-12D](#) [61211T0B4](#) [61212T400](#) [61222Q400](#) [61243B600](#) [61243C500](#) [61243Q400](#) [61311BOA2](#) [61311BOA6](#) [61311BOA8](#) [61311C0A2](#) [61311COA1](#) [61311COA6](#) [61311F0A2](#) [61311QOA1](#) [61311QOA4](#) [61311T0D6](#) [61311TOA6](#) [61311TOA7](#) [61311TOB3](#) [61311TOB4](#) [61311U0A6](#) [61312Q600](#) [61312T400](#) [61312T600](#) [61313U200](#)