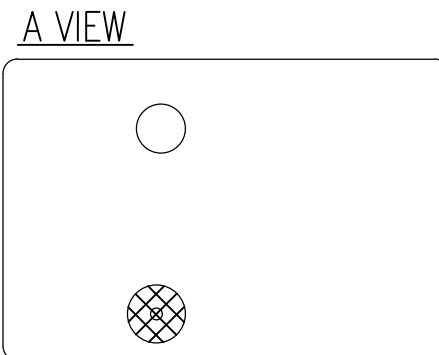
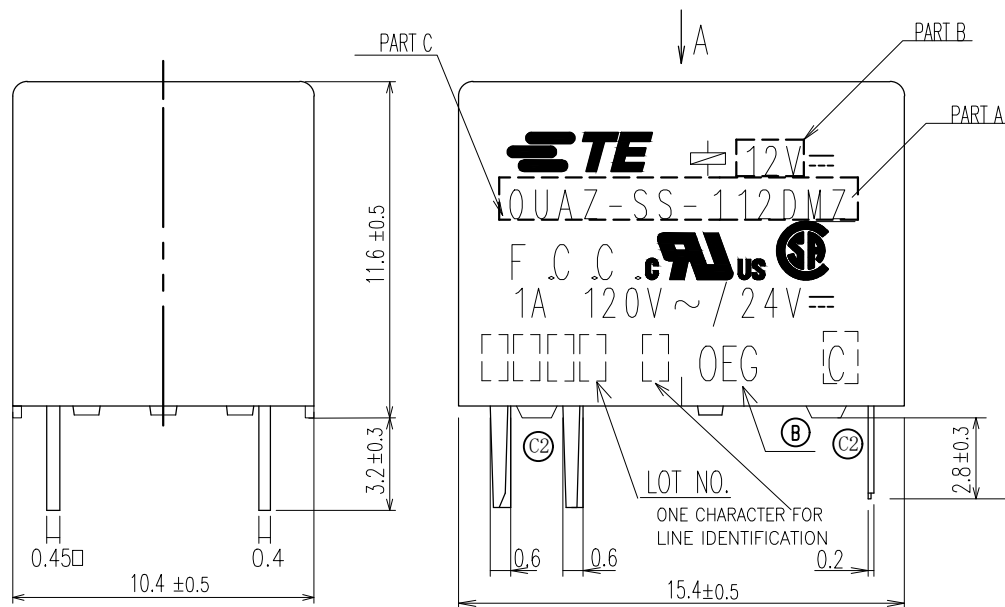
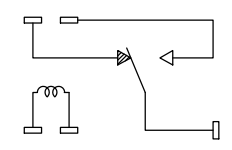


P	LTR	DESCRIPTION	DATE	DWN	APVD
	C2	Add convex hulls-ECO-20-016569	04-NOV-20	T,Z	XNZ

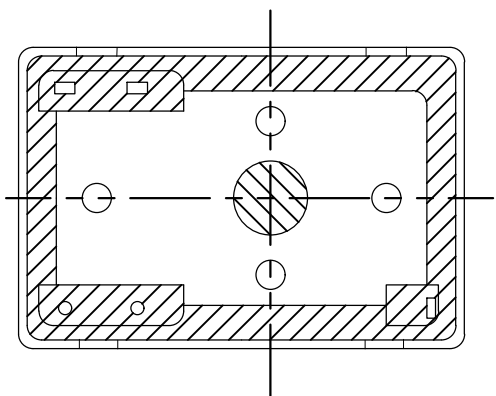
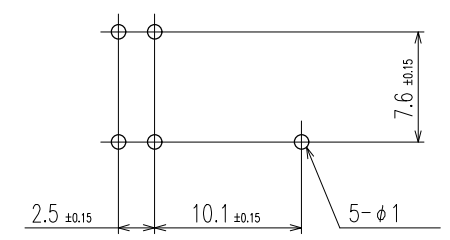


- ⓑ NOTES:
- LOT NO. SYSTEM AS FOLLOWING:
 - TERMINAL DIMENSIONS BEFORE SOLDER DIP
 - FOR THE TIN-PLATING OF THE PINS:
 +0.1mm FOR WIDTH, THICKNESS AND DIAMETER
 +0.5mm FOR LENGTH

WIRING DIAGRAM



PCB LAYOUT (GENERAL TOLERANCE ± 0.15)



GENERAL TOLERANCE:

Diagram Dimension	Tolerance
0.99mm,max	±0.1mm
1-2.99mm	±0.2mm
3mm min	±0.3mm

DWN Steven.Zhou		TE Connectivity			
CHK Banghua,Yu					
APVD Sunny,Zhang		NAME			
PRODUCT SPEC		QUAZ D/L STANDARD CUSTOMER DRAWING			
APPLICATION SPEC		SEE RELAY TYPE			
TOLERANCES UNLESS OTHERWISE SPECIFIED:		SIZE	CAGE CODE	DRAWING NO	RESTRICTED TO
DIMENSIONS:	0 PLC ± 1 PLC ± 2 PLC ± 3 PLC ± 4 PLC ± ANGLES ±	A3	00779	C= 1461015	-
MATERIAL		FINISH	CUSTOMER DRAWING		SCALE 5:1
				REV C2	

LOC	DIST	REVISIONS						
		P	LTR	DESCRIPTION	ECN	DATE	DWN	APVD
HB								

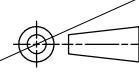

A3

STATUS	MARKING	PART NO	DESCRIPTION	PART B	PART A	TYPE
ACTIVE	NONE	1461015-6	OUAZ-SH-118L 900	18V	OUAZ-SH-118L	x
ACTIVE	MARKING	4-1419145-8	OUAZ-SH-124L 900	24V	OUAZ-SH-124L	w
ACTIVE	MARKING	6-1419130-5	OUAZ-SH-112L 900	12V	OUAZ-SH-112L	v
OBSOLETE	MARKING	4-1419145-6	OUAZ-SH-109L 900	9V	OUAZ-SH-109L	u
ACTIVE	MARKING	4-1419145-3	OUAZ-SH-106L 900	6V	OUAZ-SH-106L	t
ACTIVE	MARKING	4-1419145-0	OUAZ-SH-105L 900	5V	OUAZ-SH-105L	s
ACTIVE	MARKING	4-1419130-0	OUAZ-SH-103L 900	3V	OUAZ-SH-103L	r
ACTIVE	MARKING	1461015-4	OUAZ-SH-124D 900	24V	OUAZ-SH-124D	q
ACTIVE	MARKING	5-1419130-6	OUAZ-SH-112D 900	12V	OUAZ-SH-112D	p
OBSOLETE	MARKING	1461015-3	OUAZ-SH-109D 900	9V	OUAZ-SH-109D	o
OBSOLETE	MARKING	1461015-2	OUAZ-SH-106D 900	6V	OUAZ-SH-106D	n
ACTIVE	MARKING	3-1419145-9	OUAZ-SH-105D 900	5V	OUAZ-SH-105D	m
OBSOLETE	MARKING	1461015-5	OUAZ-SH-103D 900	3V	OUAZ-SH-103D	l
ACTIVE	MARKING	1-1419131-1	OUAZ-SS-124L 900	24V	OUAZ-SS-124L	k
ACTIVE	MARKING	1419131-5	OUAZ-SS-112L 900	12V	OUAZ-SS-112L	j
ACTIVE	MARKING	9-1419130-8	OUAZ-SS-109L 900	9V	OUAZ-SS-109L	i
ACTIVE	MARKING	5-1419145-4	OUAZ-SS-106L 900	6V	OUAZ-SS-106L	h
ACTIVE	MARKING	8-1419130-6	OUAZ-SS-105L 900	5V	OUAZ-SS-105L	g
OBSOLETE	MARKING	1461015-1	OUAZ-SS-124D 900	24V	OUAZ-SS-124D	f
ACTIVE	MARKING	5-1419145-7	OUAZ-SS-112D 900	12V	OUAZ-SS-112D	e
ACTIVE	MARKING	9-1419130-3	OUAZ-SS-109D 900	9V	OUAZ-SS-109D	d
ACTIVE	MARKING	5-1419145-2	OUAZ-SS-106D 900	6V	OUAZ-SS-106D	c
ACTIVE	MARKING	8-1419130-3	OUAZ-SS-105D 900	5V	OUAZ-SS-105D	b
OBSOLETE	MARKING	5-1419145-0	OUAZ-SS-103D 900	3V	OUAZ-SS-103D	a

C1

RELAY TYPE

UV RESIN	UV SEAL:3056C(VENT HOLE)	12
EPOXY RESIN	SEAL:2212E	11
POLYURETHANE COPPER WIRE	MAGNETIC WIRE	10
PBT	CASE	9
Cu ALLOY	MOVABLE SPRING	8
Cu ALLOY	B TERMINAL	7
Cu ALLOY	M TERMINAL	6
STEEL	ARMATURE	5
STEEL	CORE	4
STEEL	YOKE	3
C.P WIRE	COIL TERMINAL	2
PBT	BOBBIN	1
MATERIAL	DESCRIPTION	ITEM

DIMENSIONS: mm 	TOLERANCES UNLESS OTHERWISE SPECIFIED: 0 PLC ± 1 PLC ± 2 PLC ± 3 PLC ± 4 PLC ± ANGLES ±	DWN	 TE Connectivity			
		CHK				
MATERIAL	FINISH	APVD	NAME			
		PRODUCT SPEC	OUAZ D/L STANDARD CUSTOMER DRAWING			
		APPLICATION SPEC	SIZE	CAGE CODE	DRAWING NO	RESTRICTED TO
		WEIGHT	A3	00779	C= 1461015	-
		CUSTOMER DRAWING	SCALE	SHEET	2 OF 2	REV C2

X-ON Electronics

Largest Supplier of Electrical and Electronic Components

Click to view similar products for [General Purpose Relays](#) category:

Click to view products by [TE Connectivity](#) manufacturer:

Other Similar products are found below :

[PCN-105D3MH,000](#) [59641F200](#) [5JO-1000CD-SIL](#) [LY1SAC110120](#) [5X827E](#) [5X837F](#) [5X840F](#) [5X842F](#) [5X848E](#) [LY2N-AC120](#) [LY2S-AC220/240](#) [LY2-US-AC120](#) [LY3-US-AC120](#) [LY4F-UA-DC12](#) [LY4F-UA-DC24](#) [LY4F-US-AC120](#) [LY4F-US-AC240](#) [LY4F-US-DC24](#) [LY4F-VD-AC110](#) [LYQ20DC12](#) [M115C60](#) [M115N010](#) [M115N0150](#) [6031007G](#) [603-12D](#) [61211T0B4](#) [61212T400](#) [61222Q400](#) [61243B600](#) [61243C500](#) [61243Q400](#) [61311BOA2](#) [61311BOA6](#) [61311BOA8](#) [61311C0A2](#) [61311COA1](#) [61311COA6](#) [61311F0A2](#) [61311QOA1](#) [61311QOA4](#) [61311T0D6](#) [61311TOA6](#) [61311TOA7](#) [61311TOB3](#) [61311TOB4](#) [61311U0A6](#) [61312Q600](#) [61312T400](#) [61312T600](#) [61313U200](#)