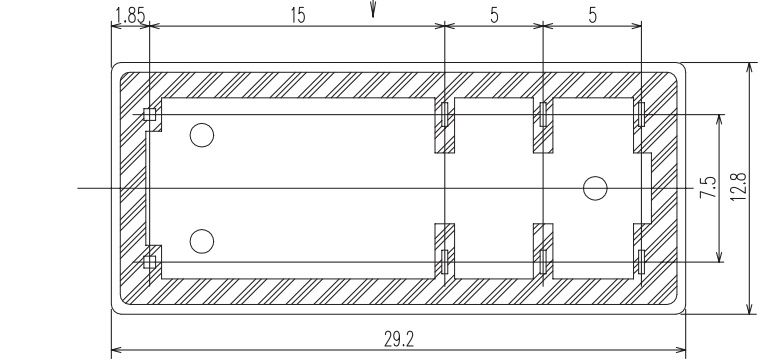
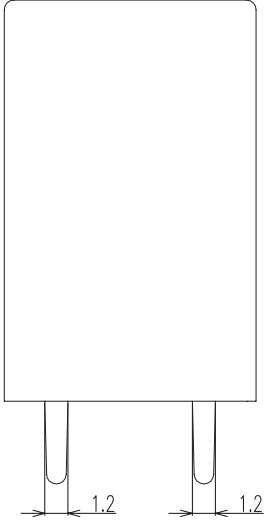
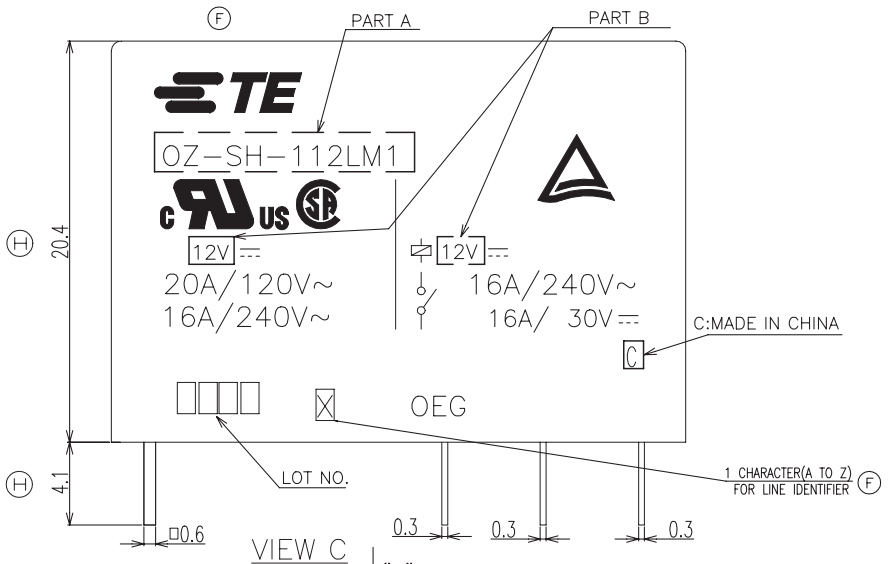
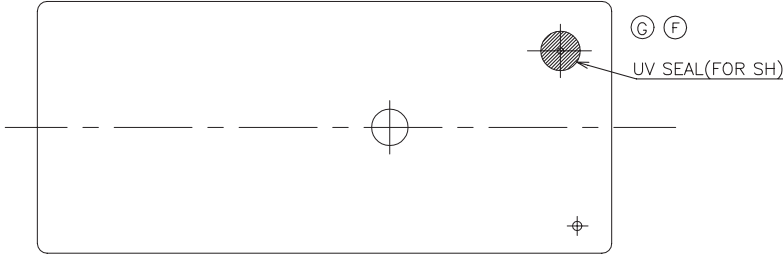
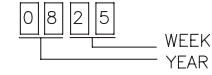


REVISIONS					
P	LTR	DESCRIPTION	DATE	DWN	APVD
	H	DIMENSION CHANGE	ECO-21-004260	10-JUN-21	X.R.L K.T



- NOTES:  
1. TERMINAL DIMENSION IS NOT INCLUDING SOLDER TIP.  
2. LOT NUMBER SYSTEM AS FOLLOWS:



3. GENERAL TOLERANCE AS FOLLOWS:

TOLERANCE	
0~0.99mm	±0.1
1mm~2.99mm	±0.2
3mm MIN.	±0.3

4. FOR THE TIN-PLATING OF THE PINS:  
+0.1mm FOR WIDTH, THICKNESS AND DIAMETER.  
+0.5mm FOR LENGTH.

THIS DRAWING IS A CONTROLLED DOCUMENT.		DWN SHIMING.CHEN	TE Connectivity Ltd.		
DIMENSIONS: mm		CHK WAYNE.PENG			
TOLERANCES UNLESS OTHERWISE SPECIFIED:		APVD FUNAYAMA.NAOYA	PRODUCT SPEC		
0 PLC ±- 1 PLC ±- 2 PLC ±- 3 PLC ±- 4 PLC ±- ANGLES ±-		APPLICATION SPEC		RESTRICTED TO	
MATERIAL		WEIGHT	SIZE A3	CAGE CODE 00779	DRAWING NO. C=1440002-4
CUSTOMER DRAWING			SCALE 4:1	SHEET 1 of 2	REV H

4

3

2

1

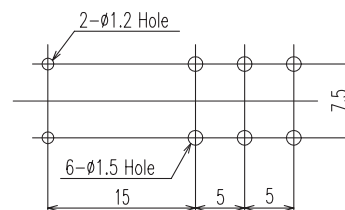
REVISIONS

P	LTR	DESCRIPTION	DATE	DWN	APVD
-	-	SEE SHEET 1	-	-	-

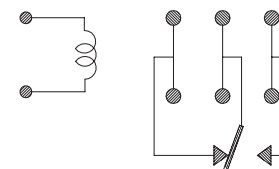
1-1440002-1	OZ-SH-124L	24V	OZ-SH-124L
1440002-9	OZ-SH-124D	24V	OZ-SH-124D
1461252-1	OZ-SH-148L	48V	OZ-SH-148L
1440002-6	OZ-SH-112D	12V	OZ-SH-112D
1440002-4	OZ-SH-105D	5V	OZ-SH-105D
1461354-1	OZ-SS-118D	18V	OZ-SS-118D
3-1440002-1	OZ-SS-148L	48V	OZ-SS-148L
2-1440002-8	OZ-SS-124L	24V	OZ-SS-124L
2-1440002-5	OZ-SS-124D	24V	OZ-SS-124D
2-1440002-3	OZ-SS-112L	12V	OZ-SS-112L
2-1440002-1	OZ-SS-112D	12V	OZ-SS-112D
1-1440002-9	OZ-SS-109L	9V	OZ-SS-109L
1-1440002-8	OZ-SS-109D	9V	OZ-SS-109D
1-1440002-6	OZ-SS-106L	6V	OZ-SS-106L
1-1440002-4	OZ-SS-106D	6V	OZ-SS-106D
1-1440002-3	OZ-SS-105L	5V	OZ-SS-105L
1-1440002-2	OZ-SS-105D	5V	OZ-SS-105D
1461717-1	OZ-SH-112L	12V	OZ-SH-112L
1-1461250-8	OZ-SH-148L	48V	OZ-SH-148L
1-1461250-6	OZ-SH-148D	48V	OZ-SH-148D
1-1461250-2	OZ-SH-109L	9V	OZ-SH-109L
1-1461250-0	OZ-SH-109D	9V	OZ-SH-109D
0-1461250-8	OZ-SH-106L	6V	OZ-SH-106L
0-1461250-6	OZ-SH-106D	6V	OZ-SH-106D
0-1461250-5	OZ-SH-105L	5V	OZ-SH-105L
0-1461250-3	OZ-SH-105D	5V	OZ-SH-105D
0-1461250-2	OZ-SH-124L	24V	OZ-SH-124L
0-1461250-1	OZ-SH-112D	12V	OZ-SH-112D
0-1440002-7	OZ-SH-112L	12V	OZ-SH-112L
PART NO	EC TYPE NAME	PART B	PART A

RELAY TYPE

CIRCUIT DIAGRAM(2/1)  
(BOTTOM VIEW)



DRILLING DIAGRAM  
(BOTTOM VIEW)



THIS DRAWING IS A CONTROLLED DOCUMENT.		DWN SHIMING.CHEN	-		
DIMENSIONS: mm		CHK WAYNE.PENG	-		
TOLERANCES UNLESS OTHERWISE SPECIFIED:		APVD FUNAYAMA.NAOYA	NAME		
0 PLC ±-		PRODUCT SPEC	-		
1 PLC ±-		APPLICATION SPEC	-		
2 PLC ±-		WEIGHT	SIZE	CAGE CODE	DRAWING NO
3 PLC ±-		FINISH	A3	00779	C=1440002-4
4 PLC ±-		MATERIAL	RESTRICTED TO		-
ANGLES ±-		CUSTOMER DRAWING	SCALE	SHEET	REV
-		-	4:1	2 of 2	H



OZ-T CUSTOMER DRAWING

## X-ON Electronics

Largest Supplier of Electrical and Electronic Components

*Click to view similar products for [General Purpose Relays](#) category:*

*Click to view products by [TE Connectivity](#) manufacturer:*

Other Similar products are found below :

[PCN-105D3MH,000](#) [59641F200](#) [5JO-1000CD-SIL](#) [LY1SAC110120](#) [5X827E](#) [5X837F](#) [5X840F](#) [5X842F](#) [5X848E](#) [LY2N-AC120](#) [LY2S-AC220/240](#) [LY2-US-AC120](#) [LY3-US-AC120](#) [LY4F-UA-DC12](#) [LY4F-UA-DC24](#) [LY4F-US-AC120](#) [LY4F-US-AC240](#) [LY4F-US-DC24](#) [LY4F-VD-AC110](#) [LYQ20DC12](#) [M115C60](#) [M115N010](#) [M115N0150](#) [6031007G](#) [603-12D](#) [61211T0B4](#) [61212T400](#) [61222Q400](#) [61243B600](#) [61243C500](#) [61243Q400](#) [61311BOA2](#) [61311BOA6](#) [61311BOA8](#) [61311C0A2](#) [61311COA1](#) [61311COA6](#) [61311F0A2](#) [61311QOA1](#) [61311QOA4](#) [61311T0D6](#) [61311TOA6](#) [61311TOA7](#) [61311TOB3](#) [61311TOB4](#) [61311U0A6](#) [61312Q600](#) [61312T400](#) [61312T600](#) [61313U200](#)