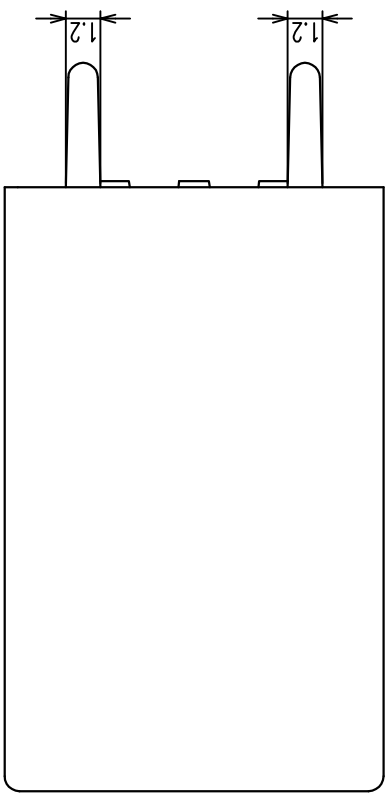
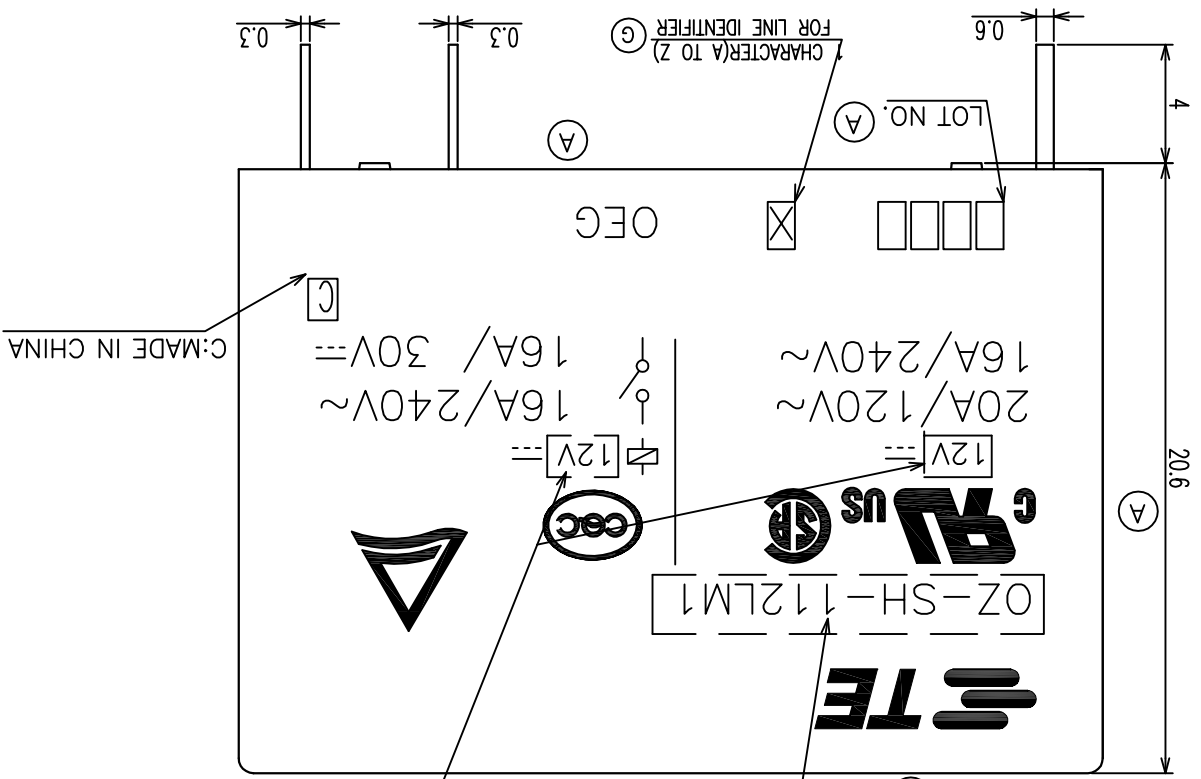
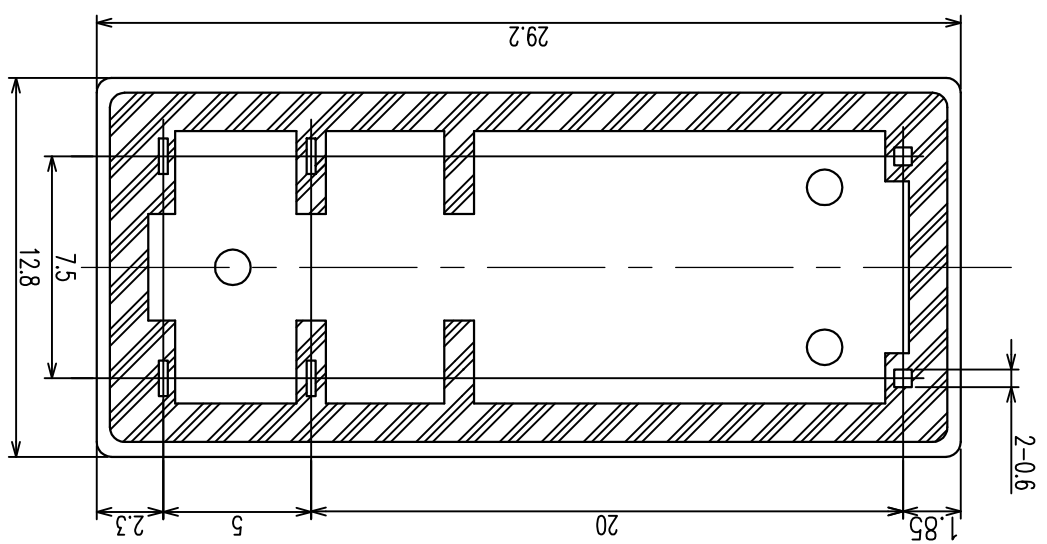


CUSTOMER DRAWING		SCALE	4:1	SHEET	1 OF 2	REV	H
WEIGHT		-					
FINISH		-					
MATERIAL		-					
DIMENSIONS:		mm					
TOLERANCES UNLESS OTHERWISE SPECIFIED:		0 PLC ± 1 PLC ± 2 PLC ± 3 PLC ± 4 PLC ±					
APVD		FUNAYAMA,NAOYA					
NAME		WAYNE.PENG					
CHK		SHIMING.CHEN					
DWN		-					
THIS DRAWING IS A CONTROLLED DOCUMENT.							
TE Connectivity STE							
02-1M CUSTOMER DRAWING							
APPLICATION SPEC		-					
PRODUCT SPEC		-					
CAGE CODE		00779					
DRAWING NO		1440002-5					
RESTRICTED TO		-					



NOTES:
 1. TERMINAL DIMENSION IS NOT INCLUDING SOLDER TIP.
 2. LOT NO. SYSTEM AS FOLLOWING:
 WEEK YEAR
 0825
 3. GENERAL TOLERANCE AS FOLLOWING:

TOLERANCE	
0~0.99mm	±0.1
1mm~2.99mm	±0.2
3mm MIN.	±0.3

4. FOR THE TIN-PLATING OF THE PINS:
 +0.1mm FOR WIDTH, THICKNESS AND DIAMETER.
 +0.5mm FOR LENGTH.

LOC	HB	DIST	-
P	LTR	DESCRIPTION	DATE
H	REVERSE ONLY	ECO-13-015347	16-DEC-13
B,F			

THIS DRAWING IS UNPUBLISHED.
 RELEASED FOR PUBLICATION
 ALL RIGHTS RESERVED.

THIS DRAWING IS A CONTROLLED DOCUMENT.

TOLERANCES UNLESS OTHERWISE SPECIFIED:

0 PLC ±

1 PLC ±

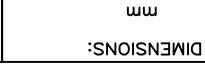
2 PLC ±

3 PLC ±

4 PLC ±

ANGLES ±

FINISH -



DIMENSIONS: mm

CHK -

DWN -

APVD -

NAME -

PRODUCT SPEC -

APPLICATION SPEC -

WEIGHT -

CUSTOMER DRAWING

SCALE 4:1

SHEET 2 of 2

REV H

RESTRICTED TO

DRAWING NO 1440002-5

CAGE CODE 00779

SIZE A3

02-1M CUSTOMER DRAWING

TE Connectivity

STC

APVD

CHK

DWN

ITEM

DESCRIPTION

MATERIAL

TREATMENT

INCOMBUSTIBILITY

UL94V-0

UL94HB

UL94V-0

MW79

PBT

PBT

Cu ALLOY

EPOXY RESIN

UV RESIN

UV SEAL

SEAL

HINGE SPRING

CASE

MAGNETIC WIRE

BASE

BOBBIN

COIL TERMINAL

CARD

MOVABLE CONTACT

STATIONARY CONTACT

MOVABLE SPRING

NO-TERMINAL

CORE

ARMATURE

YOKE

ITEM 1

ITEM 2

ITEM 3

ITEM 4

ITEM 5

ITEM 6

ITEM 7

ITEM 8

ITEM 9

ITEM 10

ITEM 11

ITEM 12

ITEM 13

ITEM 14

ITEM 15

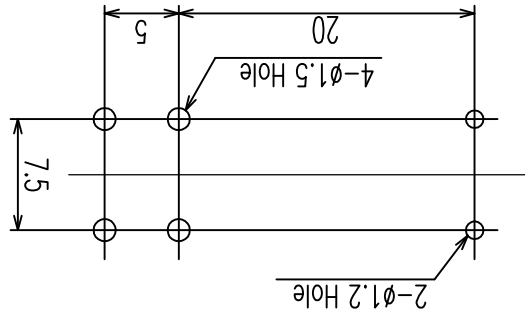
ITEM 16

RELAY TYPE

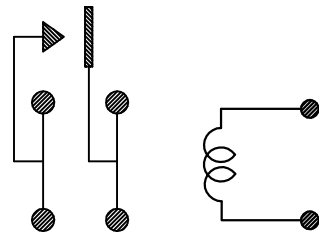
ITEM	PART A	PART B	DESCRIPTION	PART NO
d	0Z-SS-106DM1	6V	0Z-SS-106DM1	1-1440002-5
b	0Z-SS-106LM1	6V	0Z-SS-106LM1	1-1440002-7
c	0Z-SS-109LM1	9V	0Z-SS-109LM1	2-1440002-0
d	0Z-SS-112DM1	12V	0Z-SS-112DM1	2-1440002-2
e	0Z-SS-112LM1	12V	0Z-SS-112LM1	2-1440002-4
f	0Z-SS-124DM1	24V	0Z-SS-124DM1	2-1440002-6
g	0Z-SS-124LM1	24V	0Z-SS-124LM1	2-1440002-9
h	0Z-SS-148DM1	48V	0Z-SS-148DM1	3-1440002-0
i	0Z-SS-105LM1	5V	0Z-SS-105LM1	0-1461251-3
j	0Z-SS-109DM1	9V	0Z-SS-109DM1	0-1461251-4
k	0Z-SS-105DM1	5V	0Z-SS-105DM1	0-1461251-5
l	0Z-SS-118DM1	18V	0Z-SS-118DM1	0-1461355-1
m	0Z-SS-103LM1	3V	0Z-SS-103LM1	7-1440009-5
n	0Z-SH-105LM1	5V	0Z-SH-105LM1	0-1440002-5
o	0Z-SH-112LM1	12V	0Z-SH-112LM1	0-1440002-8
p	0Z-SH-124DM1	24V	0Z-SH-124DM1	0-1-1440002-0
q	0Z-SH-105DM1	5V	0Z-SH-105DM1	0-1461250-4
r	0Z-SH-106DM1	6V	0Z-SH-106DM1	0-1461250-7
s	0Z-SH-106LM1	6V	0Z-SH-106LM1	0-1461250-9
t	0Z-SH-109DM1	9V	0Z-SH-109DM1	1-1461250-1
u	0Z-SH-109LM1	9V	0Z-SH-109LM1	1-1461250-3
v	0Z-SH-124LM1	24V	0Z-SH-124LM1	1-1461250-5
w	0Z-SH-148DM1	48V	0Z-SH-148DM1	1-1461250-7
x	0Z-SH-148LM1	48V	0Z-SH-148LM1	1-1461250-9
y	0Z-SH-112DM1	12V	0Z-SH-112DM1	1-1461250-4

(F1)

DRILLING DIAGRAM (BOTTOM VIEW)



CIRCUIT DIAGRAM (BOTTOM VIEW)



LOC HB

DIST -

P LTR

DESCRIPTION

DATE

DWN

APVD

REVISIONS

1

2

3

4

ALL RIGHTS RESERVED.

RELEASED FOR PUBLICATION

THIS DRAWING IS UNPUBLISHED.

COPYRIGHT - - By - -

A

B

C

D

A

B

C

D

X-ON Electronics

Largest Supplier of Electrical and Electronic Components

Click to view similar products for [General Purpose Relays](#) category:

Click to view products by [TE Connectivity](#) manufacturer:

Other Similar products are found below :

[APF30318](#) [JVN1AF-4.5V-F](#) [PCN-105D3MHZ](#) [5JO-10000S-SIL](#) [5JO-1000CD-SIL](#) [5JO-400CD-SIL](#) [LY2S-AC220/240](#) [LYQ20DC12](#)
[6031007G](#) [6131406HQ](#) [6-1393099-8](#) [6-1393122-4](#) [6-1393123-2](#) [6-1393767-1](#) [6-1393843-7](#) [6-1415012-1](#) [6-1419102-2](#) [6-1423698-4](#) [6-](#)
[1608051-6](#) [6-1608067-0](#) [6-1616170-6](#) [6-1616248-2](#) [6-1616282-3](#) [6-1616348-2](#) [6-1616350-1](#) [6-1616350-8](#) [6-1616358-7](#) [6-1616359-9](#) [6-](#)
[1616360-9](#) [6-1616931-6](#) [6-1617039-1](#) [6-1617052-1](#) [6-1617090-2](#) [6-1617090-5](#) [6-1617347-5](#) [6-1617353-3](#) [6-1617801-8](#) [6-1618107-9](#) [6-](#)
[1618248-4](#) [M83536/1-027M](#) [CX-4014](#) [MAHC-5494](#) [MAVCD-5419-6](#) [703XCX-120A](#) [7-1393100-5](#) [7-1393111-7](#) [7-1393767-8](#) [7-1414968-8](#)
[7-1419130-3](#) [7-1608047-2](#)