

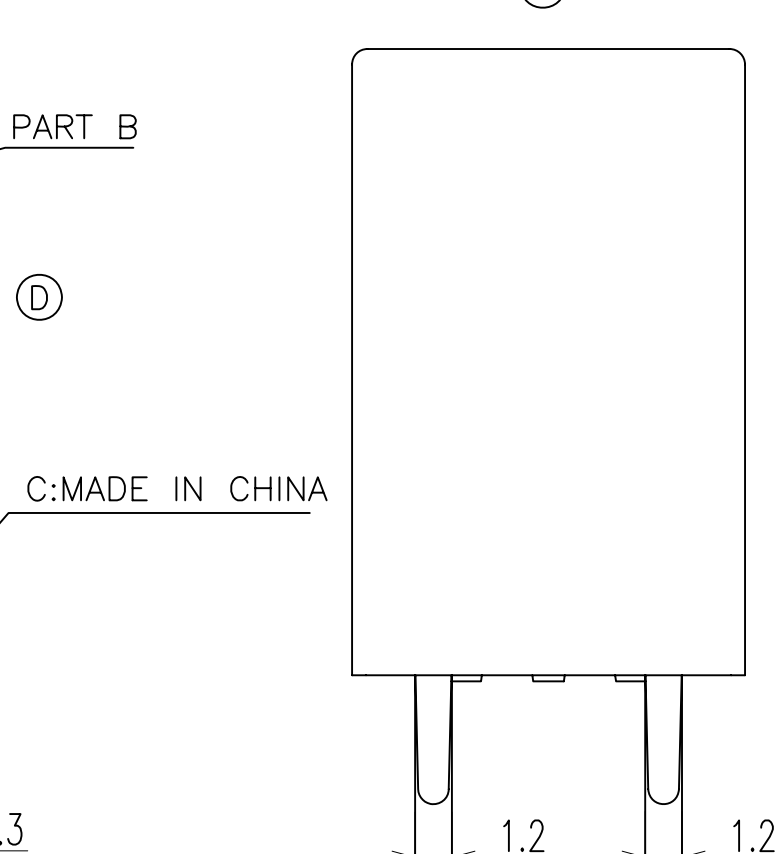
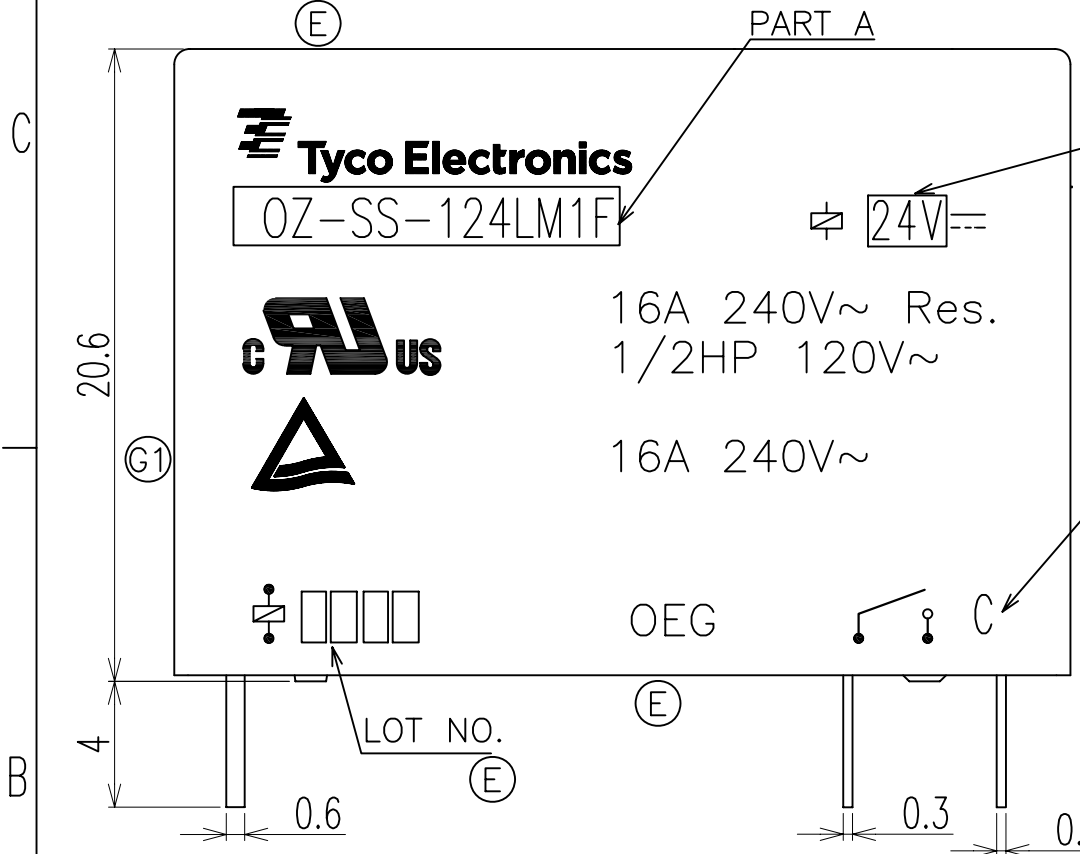
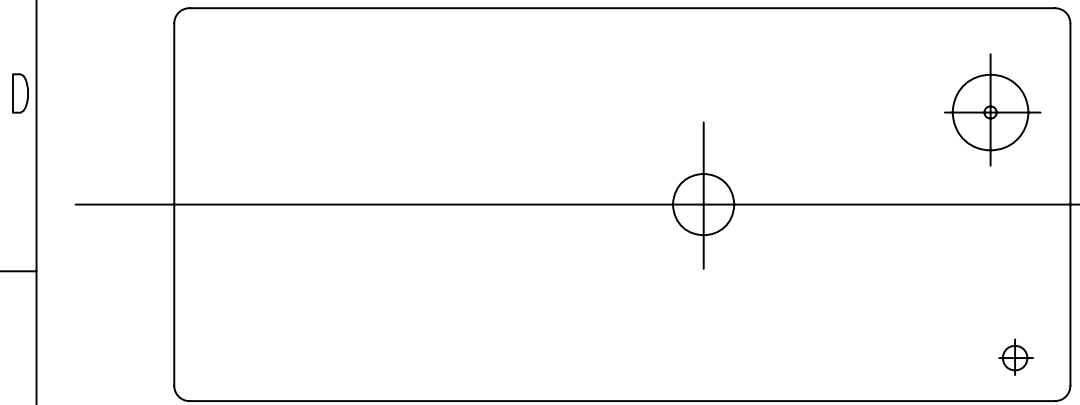
THIS DRAWING IS UNPUBLISHED. RELEASED FOR PUBLICATION  
 © COPYRIGHT BY TYCO ELECTRONICS CORPORATION. ALL RIGHTS RESERVED.

LOC  
HB

DIST

REVISIONS

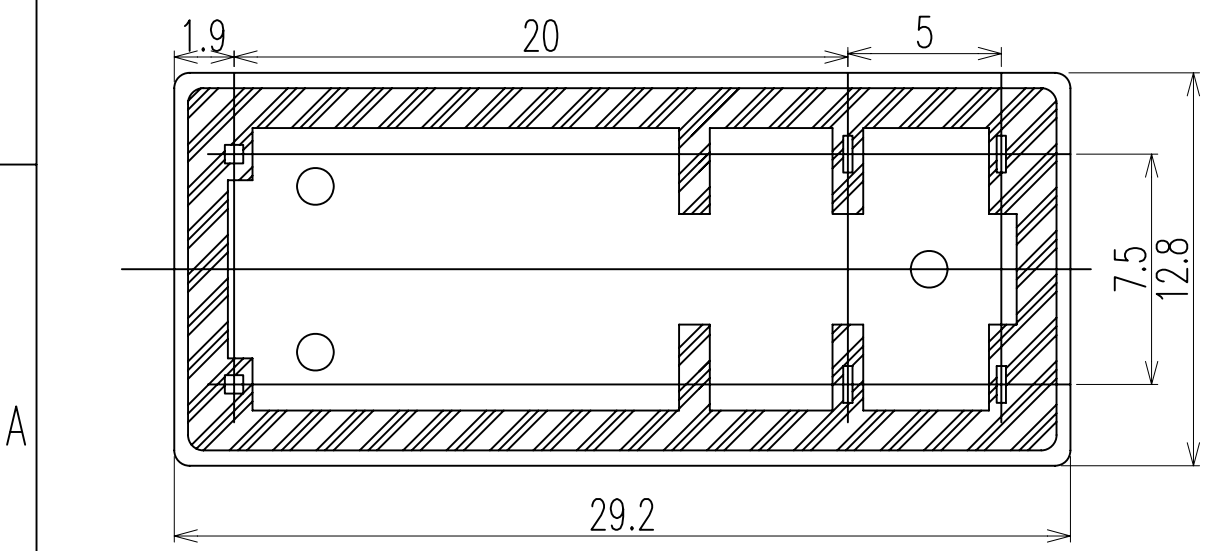
P	LTR	DESCRIPTION	ECN	DATE	DWN	APVD
	D1	ADD TYPE	ECO-06-029751	15-DEC-06	KS.L	XN.Z
	E	CHANGE NEW LOGO AND LOT NO.	ECO-08-020351	13-SEP-08	KS.L	XN.Z
	G1	ADD TUV LOGO FOR LMIF TYPE	ECO-09-023105	14-OCT-09	D.L	BH.Y



Ⓒ L TYPE:

Ⓓ1	1461868-7	OZ-SS-109LM1F	9V	OZ-SS-109LM1F	g
Ⓓ2	1461868-5	OZ-SS-112LM1F	12V	OZ-SS-112LM1F	e
Ⓓ3	1461868-4	OZT-SH-112LM1F	12V	OZT-SH-112LM1F	d
	1461868-3	OZ-SH-124LM1F	24V	OZ-SH-124LM1F	c
	1461868-2	OZ-SS-124LM1F	24V	OZ-SS-124LM1F	b
	1461868-1	OZ-SH-112LM1F	12V	OZ-SH-112LM1F	a
	PART NO	DESCRIPTION	PART B	PART A	ITEM

RELAY TYPE



THIS DRAWING IS A CONTROLLED DOCUMENT FOR TYCO ELECTRONICS CORPORATION IT IS SUBJECT TO CHANGE AND THE CONTROLLING ENGINEERING ORGANIZATION SHOULD BE CONTACTED FOR THE LATEST REVISION.

DIMENSIONS:	TOLERANCES UNLESS OTHERWISE SPECIFIED:
mm	0 PLC ±
	1 PLC ±
	2 PLC ±
	3 PLC ±
	4 PLC ±
	ANGLES ±

MATERIAL: - FINISH: -

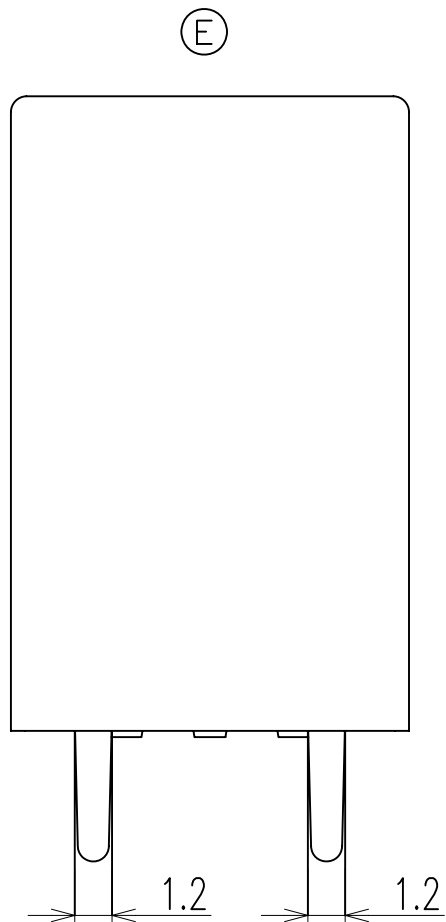
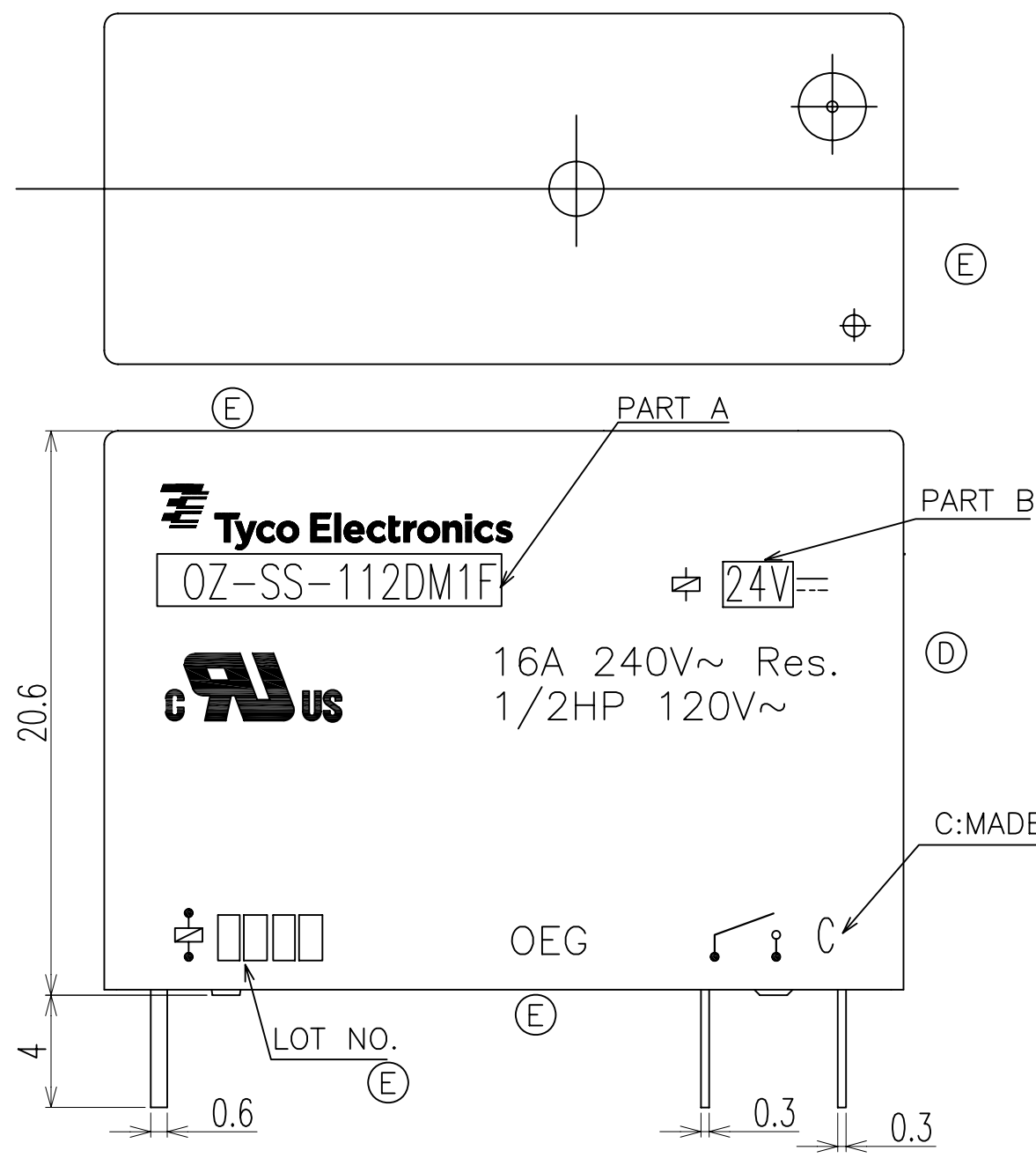
DWN	H.SASAKI	Tyco Electronics Corporation Shenzhen, China	
CHK	N.FUNAYAMA		
APVD	A.NAGAI		
PRODUCT SPEC	-		
APPLICATION SPEC	-	NAME	
WEIGHT	-	OZ CUSTOMER DRAWING	
SIZE	A3	CAGE CODE	00779
		DRAWING NO	1461868
CUSTOMER DRAWING		RESTRICTED TO	-
SCALE		4:1	SHEET 1 OF 3
REV		G1	

THIS DRAWING IS UNPUBLISHED. RELEASED FOR PUBLICATION  
 © COPYRIGHT BY TYCO ELECTRONICS CORPORATION. ALL RIGHTS RESERVED.

LOC	HB	DIST	REVISIONS							
			P	LTR	DESCRIPTION	ECN	DATE	DWN	APVD	

D  
C  
B  
A

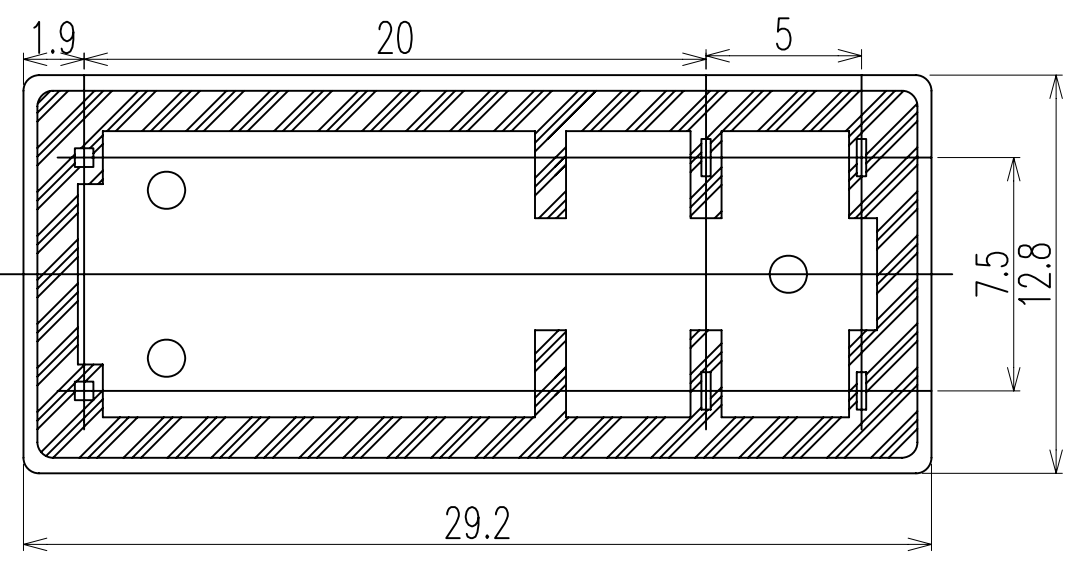
D  
C  
B  
A



Ⓒ D TYPE:

1461868-6	OZ-SS-112DM1F	12V	OZ-SS-112DM1F	f
PART NO	DESCRIPTION	PART B	PART A	ITEM

RELAY TYPE



THIS DRAWING IS A CONTROLLED DOCUMENT FOR TYCO ELECTRONICS CORPORATION IT IS SUBJECT TO CHANGE AND THE CONTROLLING ENGINEERING ORGANIZATION SHOULD BE CONTACTED FOR THE LATEST REVISION.		DWN	Tyco Electronics Corporation Shenzhen, China		
DIMENSIONS: mm		CHK			
		APVD	NAME		
TOLERANCES UNLESS OTHERWISE SPECIFIED:		PRODUCT SPEC	OZ CUSTOMER DRAWING		
0 PLC ±		APPLICATION SPEC	SIZE	CAGE CODE	DRAWING NO
1 PLC ±			A3	00779	1461868
2 PLC ±		WEIGHT	RESTRICTED TO		
3 PLC ±			-		
4 PLC ±		CUSTOMER DRAWING	SCALE	SHEET	REV
ANGLES ±			4:1	2 OF 3	G1
MATERIAL	FINISH				
-	-				

4

3

2

1

THIS DRAWING IS UNPUBLISHED.

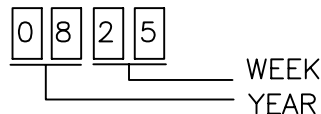
RELEASED FOR PUBLICATION

© COPYRIGHT

BY TYCO ELECTRONICS CORPORATION. ALL RIGHTS RESERVED.

LOC HB	DIST	REVISIONS						
		P	LTR	DESCRIPTION	ECN	DATE	DWN	APVD

(E) NOTES:  
1. LOT NO. SYSTEM AS FOLLOWING:



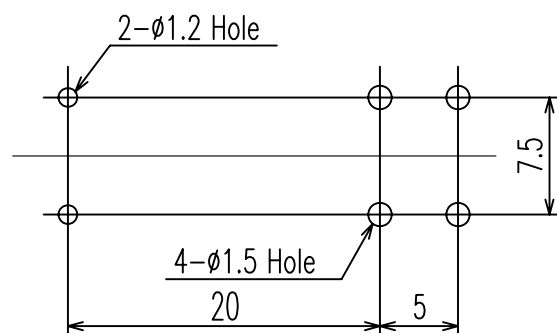
2. GENERAL TOLERANCE AS FOLLOWING:

TOLERANCE	
0~0.99mm	±0.1
1mm~2.99mm	±0.2
3mm MIN.	±0.3

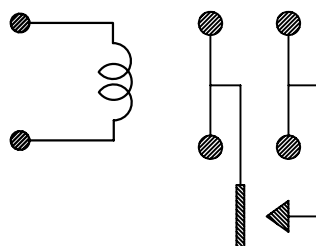
3. TERMINAL DIMENSION IS NOT INCLUDING SOLDER TIP.

		EPOXY RESIN	SEAL	15	
		Cu ALLOY	HINGE SPRING	14	
		PBT	CASE	13	
		MW79	MAGNETIC WIRE	12	
UL94V-0		PET	BASE	11	
UL94V-0		PA66 NYLON(CLASS F)	BOBBIN	10	
	SOLDER DIP	Cu ALLOY	COIL TERMINAL	9	
UL94V-0		PPS	CARD	8	
		Ag ALLOY	MOVABLE CONTACT	7	
		Ag ALLOY	STATIONARY CONTACT	6	
	SOLDER DIP	Cu ALLOY	MOVABLE SPRING	5	
	SOLDER DIP	Cu ALLOY	NO-TERMINAL	4	
		Ni PLATED	STEEL	CORE	3
		Ni PLATED	STEEL	ARMATURE	2
		Ni PLATED	STEEL	YOKE	1
	INCOMBUSTIBILITY	TREATMENT	MATERIAL	DESCRIPTION	ITEM

CIRCUIT DIAGRAM(2/1)  
(BOTTOM VIEW)

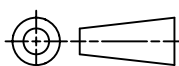


DRILLING DIAGRAM  
(BOTTOM VIEW)



THIS DRAWING IS A CONTROLLED DOCUMENT FOR TYCO ELECTRONICS CORPORATION  
IT IS SUBJECT TO CHANGE AND THE CONTROLLING ENGINEERING ORGANIZATION  
SHOULD BE CONTACTED FOR THE LATEST REVISION.

DIMENSIONS:  
mm



TOLERANCES UNLESS  
OTHERWISE SPECIFIED:

- 0 PLC ±
- 1 PLC ±
- 2 PLC ±
- 3 PLC ±
- 4 PLC ±
- ANGLES ±

MATERIAL

FINISH

DWN

CHK

APVD

PRODUCT SPEC

APPLICATION SPEC

WEIGHT

CUSTOMER DRAWING



Tyco Electronics Corporation  
Shenzhen, China

NAME

OZ CUSTOMER DRAWING

SIZE

A3

CAGE CODE

00779

DRAWING NO

1461868

RESTRICTED TO

-

SCALE 4:1

SHEET 3 OF 3

REV G1

## X-ON Electronics

Largest Supplier of Electrical and Electronic Components

*Click to view similar products for [General Purpose Relays](#) category:*

*Click to view products by [TE Connectivity](#) manufacturer:*

Other Similar products are found below :

[APF30318](#) [JVN1AF-4.5V-F](#) [PCN-105D3MHZ](#) [5JO-10000S-SIL](#) [5JO-1000CD-SIL](#) [5JO-400CD-SIL](#) [LY2S-AC220/240](#) [LYQ20DC12](#)  
[6031007G](#) [6131406HQ](#) [6-1393099-3](#) [6-1393099-8](#) [6-1393122-4](#) [6-1393123-2](#) [6-1393767-1](#) [6-1393843-7](#) [6-1415012-1](#) [6-1419102-2](#) [6-](#)  
[1423698-4](#) [6-1608051-6](#) [6-1608067-0](#) [6-1616170-6](#) [6-1616248-2](#) [6-1616282-3](#) [6-1616348-2](#) [6-1616350-1](#) [6-1616350-8](#) [6-1616358-7](#) [6-](#)  
[1616359-9](#) [6-1616360-9](#) [6-1616931-6](#) [6-1617039-1](#) [6-1617052-1](#) [6-1617090-2](#) [6-1617090-5](#) [6-1617347-5](#) [6-1617353-3](#) [6-1617801-8](#) [6-](#)  
[1617802-2](#) [6-1618107-9](#) [6-1618248-4](#) [M83536/1-027M](#) [CX-4014](#) [MAHC-5494](#) [MAVCD-5419-6](#) [703XCX-120A](#) [7-1393100-5](#) [7-1393111-7](#)  
[7-1393144-5](#) [7-1393767-8](#)