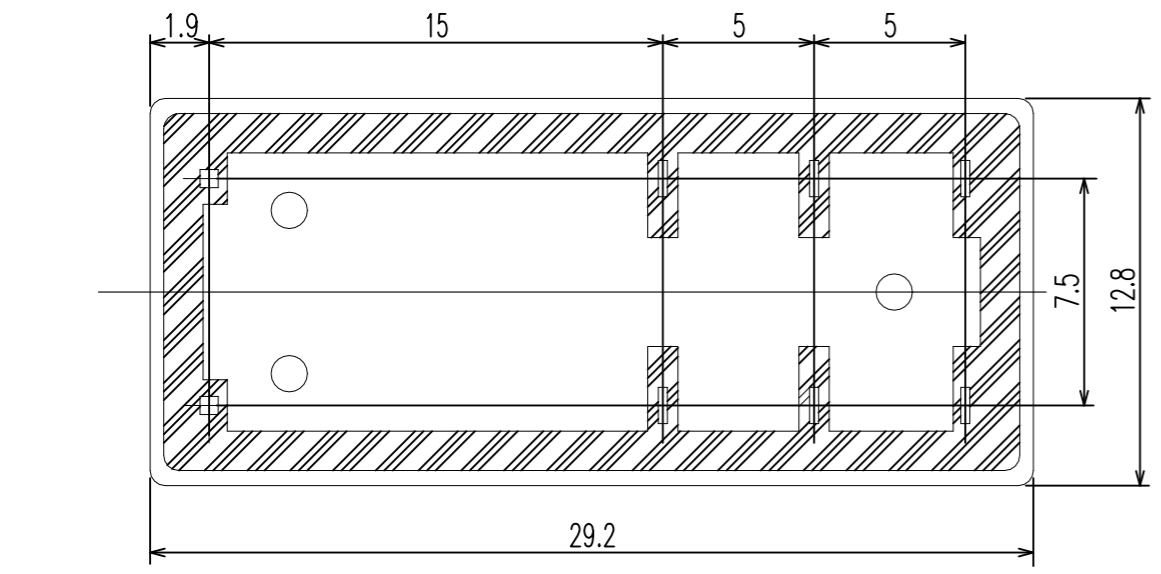
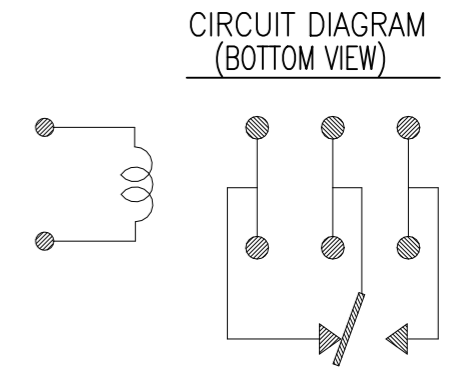
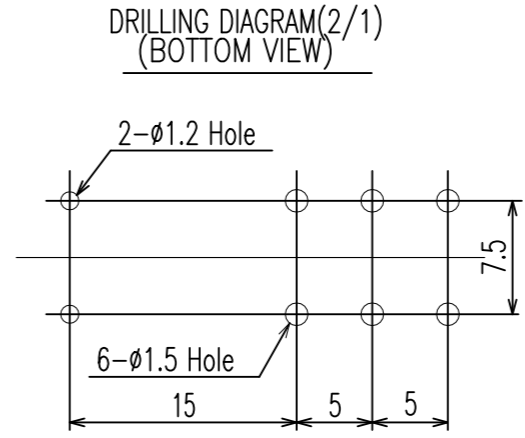
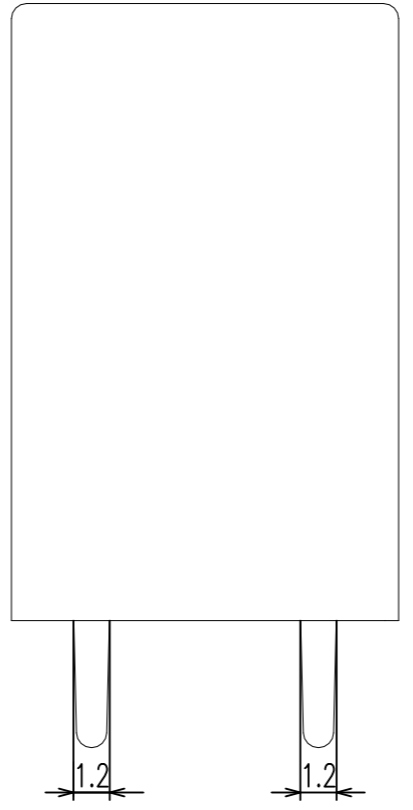
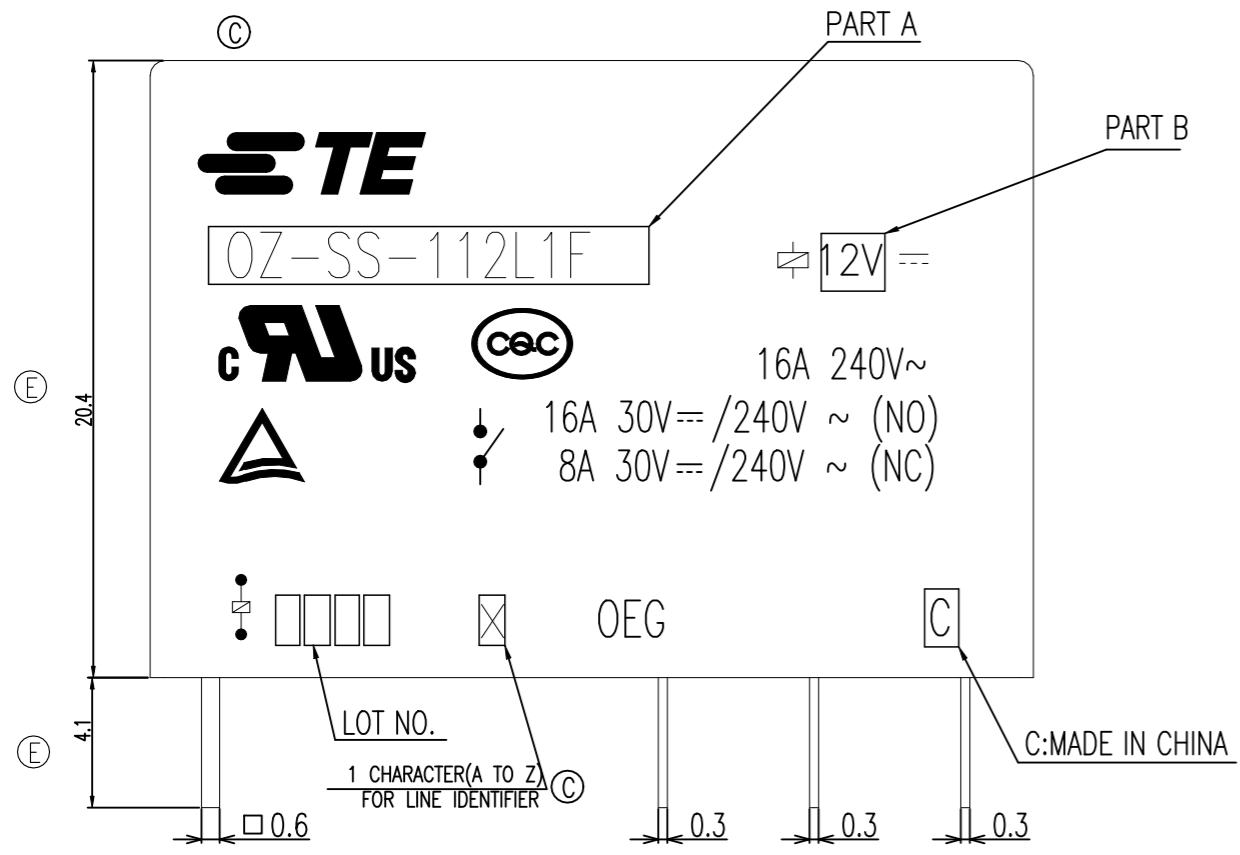
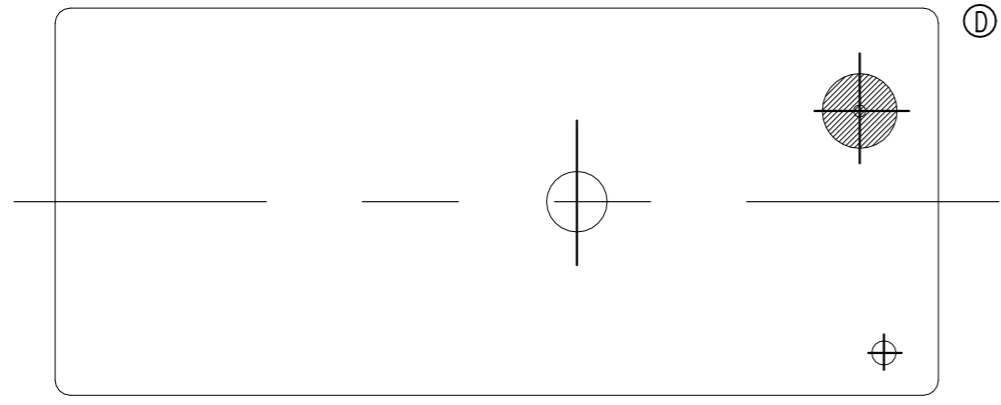


REVISIONS					
P	LTR	DESCRIPTION	DATE	DWN	APVD
E		DIMENSION CHANGE	ECO-21-004260	10-JUN-21	XR.L K.T



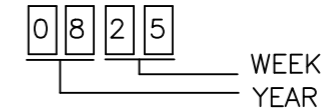
THIS DRAWING IS A CONTROLLED DOCUMENT.		DWN N.FUNAYAMA	TE Connectivity		
DIMENSIONS: mm		CHK T.FUKAYA			
TOLERANCES UNLESS OTHERWISE SPECIFIED:		APVD MJ.HO	NAME		
0 PLC	± -	PRODUCT SPEC	OZ CUSTOMER DRAWING		
1 PLC	± -	APPLICATION SPEC	RESTRICTED TO		
2 PLC	± -	WEIGHT	SIZE	CAGE CODE	DRAWING NO
3 PLC	± -	-	A3	00779	C-1649399
4 PLC	± -		CUSTOMER DRAWING	SCALE	SHEET
ANGLES	± -		1:1	1 OF 2	E
FINISH	-				

REVISIONS

P	LTR	DESCRIPTION	DATE	DWN	APVD
-	-	SEE SHEET 1	-	-	-

NOTES:

1.LOT NO. SYSTEM AS FOLLOWING:



2.GENERAL TOLERANCE AS FOLLOWING:

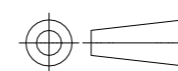
TOLERANCE	
0~0.99mm	±0.1
1mm~2.99mm	±0.2
3mm MIN.	±0.3

3.TERMINAL DIMENSION IS NOT INCLUDING SOLDER TIP.

④ 4.FOR THE TIN-PLATING OF THE PINS:
+0.1mm FOR WIDTH,THICKNESS AND DIAMETER.
+0.5mm FOR LENGTH.

3-1649399-0	OZ-SH-148D1	48V	OZ-SH-148D1
2-1649399-9	OZ-SH-124D1	24V	OZ-SH-124D1
2-1649399-8	OZ-SH-118D1	18V	OZ-SH-118D1
2-1649399-7	OZ-SH-112D1	12V	OZ-SH-112D1
2-1649399-6	OZ-SH-109D1	9V	OZ-SH-109D1
2-1649399-5	OZ-SH-106D1	6V	OZ-SH-106D1
2-1649399-4	OZ-SH-105D1	5V	OZ-SH-105D1
2-1649399-3	OZ-SS-148D1	48V	OZ-SS-148D1
2-1649399-2	OZ-SS-124D1	24V	OZ-SS-124D1
2-1649399-1	OZ-SS-118D1	18V	OZ-SS-118D1
2-1649399-0	OZ-SS-112D1	12V	OZ-SS-112D1
1-1649399-9	OZ-SS-109D1	9V	OZ-SS-109D1
1-1649399-8	OZ-SS-106D1	6V	OZ-SS-106D1
1-1649399-7	OZ-SS-105D1	5V	OZ-SS-105D1
1-1649399-6	OZ-SH-148L1	48V	OZ-SH-148L1
1-1649399-5	OZ-SH-136L1	36V	OZ-SH-136L1
1-1649399-4	OZ-SH-124L1	24V	OZ-SH-124L1
1-1649399-3	OZ-SH-118L1	18V	OZ-SH-118L1
1-1649399-2	OZ-SH-112L1	12V	OZ-SH-112L1
1-1649399-1	OZ-SH-109L1	9V	OZ-SH-109L1
1-1649399-0	OZ-SH-106L1	6V	OZ-SH-106L1
1649399-9	OZ-SH-105L1	5V	OZ-SH-105L1
1649399-8	OZ-SS-148L1	48V	OZ-SS-148L1
1649399-7	OZ-SS-136L1	36V	OZ-SS-136L1
1649399-6	OZ-SS-124L1	24V	OZ-SS-124L1
1649399-5	OZ-SS-118L1	18V	OZ-SS-118L1
1649399-4	OZ-SS-112L1	12V	OZ-SS-112L1
1649399-3	OZ-SS-109L1	9V	OZ-SS-109L1
1649399-2	OZ-SS-106L1	6V	OZ-SS-106L1
1649399-1	OZ-SS-105L1	5V	OZ-SS-105L1
PART NO	EC TYPE NAME	PART B	PART A

RELAY TYPE



THIS DRAWING IS A CONTROLLED DOCUMENT.		DWN N.FUNAYAMA	10JUN2021	TE Connectivity	
DIMENSIONS: mm		CHK T.FUKAYA	APVD MJ.HO		
TOLERANCES UNLESS OTHERWISE SPECIFIED:		PRODUCT SPEC		OZ CUSTOMER DRAWING	
0 PLC ± -		APPLICATION SPEC		SIZE	
1 PLC ± -		-		CAGE CODE	
2 PLC ± -		-		DRAWING NO	
3 PLC ± -		-		RESTRICTED TO	
4 PLC ± -		-		A3 00779 C-1649399	
ANGLES ± -		WEIGHT		SCALE	
FINISH		-		1:1	
MATERIAL		-		SHEET	
-		-		2 OF 2	
-		-		REV	
-		-		E	
-		-		CUSTOMER DRAWING	

X-ON Electronics

Largest Supplier of Electrical and Electronic Components

Click to view similar products for [General Purpose Relays](#) category:

Click to view products by [TE Connectivity](#) manufacturer:

Other Similar products are found below :

[PCN-105D3MH,000](#) [59641F200](#) [5JO-1000CD-SIL](#) [LY1SAC110120](#) [5X827E](#) [5X837F](#) [5X840F](#) [5X842F](#) [5X848E](#) [LY2N-AC120](#) [LY2S-AC220/240](#) [LY2-US-AC120](#) [LY3-US-AC120](#) [LY4F-UA-DC12](#) [LY4F-UA-DC24](#) [LY4F-US-AC120](#) [LY4F-US-AC240](#) [LY4F-US-DC24](#) [LY4F-VD-AC110](#) [LYQ20DC12](#) [M115C60](#) [M115N010](#) [M115N0150](#) [6031007G](#) [603-12D](#) [61211T0B4](#) [61212T400](#) [61222Q400](#) [61243B600](#) [61243C500](#) [61243Q400](#) [61311BOA2](#) [61311BOA6](#) [61311BOA8](#) [61311C0A2](#) [61311COA1](#) [61311COA6](#) [61311F0A2](#) [61311QOA1](#) [61311QOA4](#) [61311T0D6](#) [61311TOA6](#) [61311TOA7](#) [61311TOB3](#) [61311TOB4](#) [61311U0A6](#) [61312Q600](#) [61312T400](#) [61312T600](#) [61313U200](#)