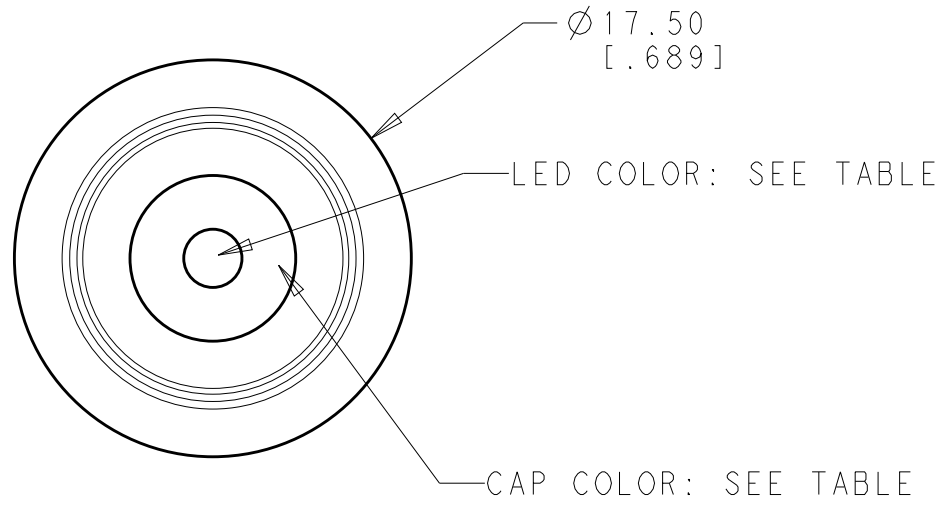


THIS DRAWING IS UNPUBLISHED. RELEASED FOR PUBLICATION
 © COPYRIGHT copyright.d8te- ALL RIGHTS RESERVED.

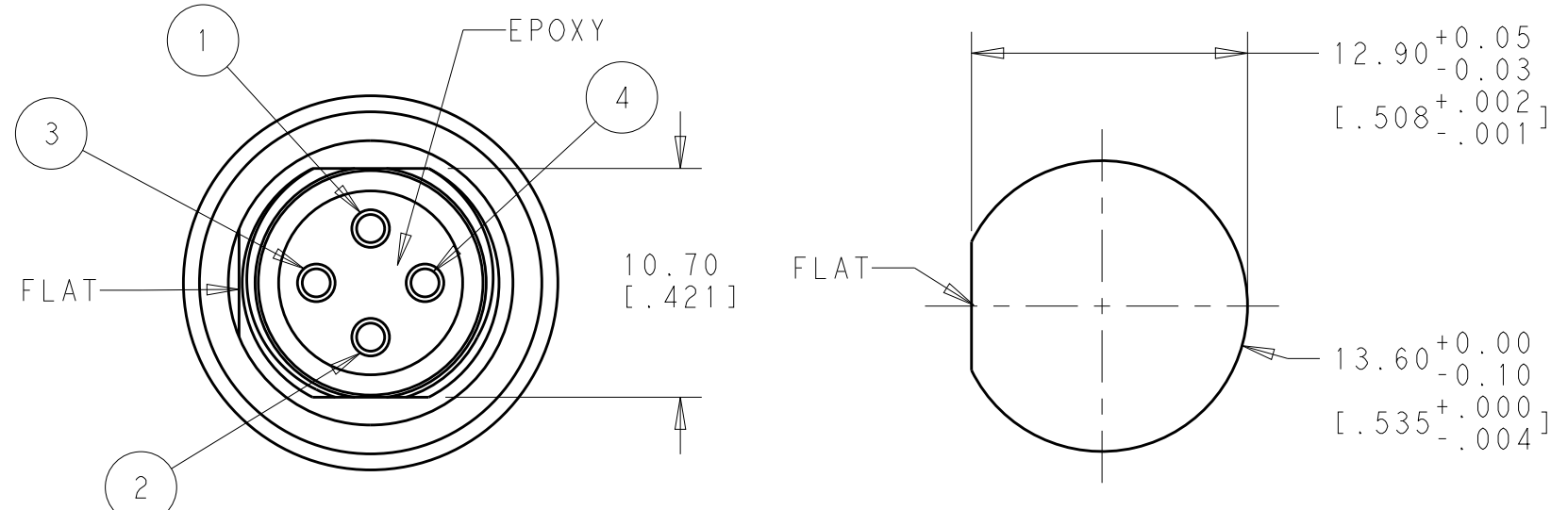
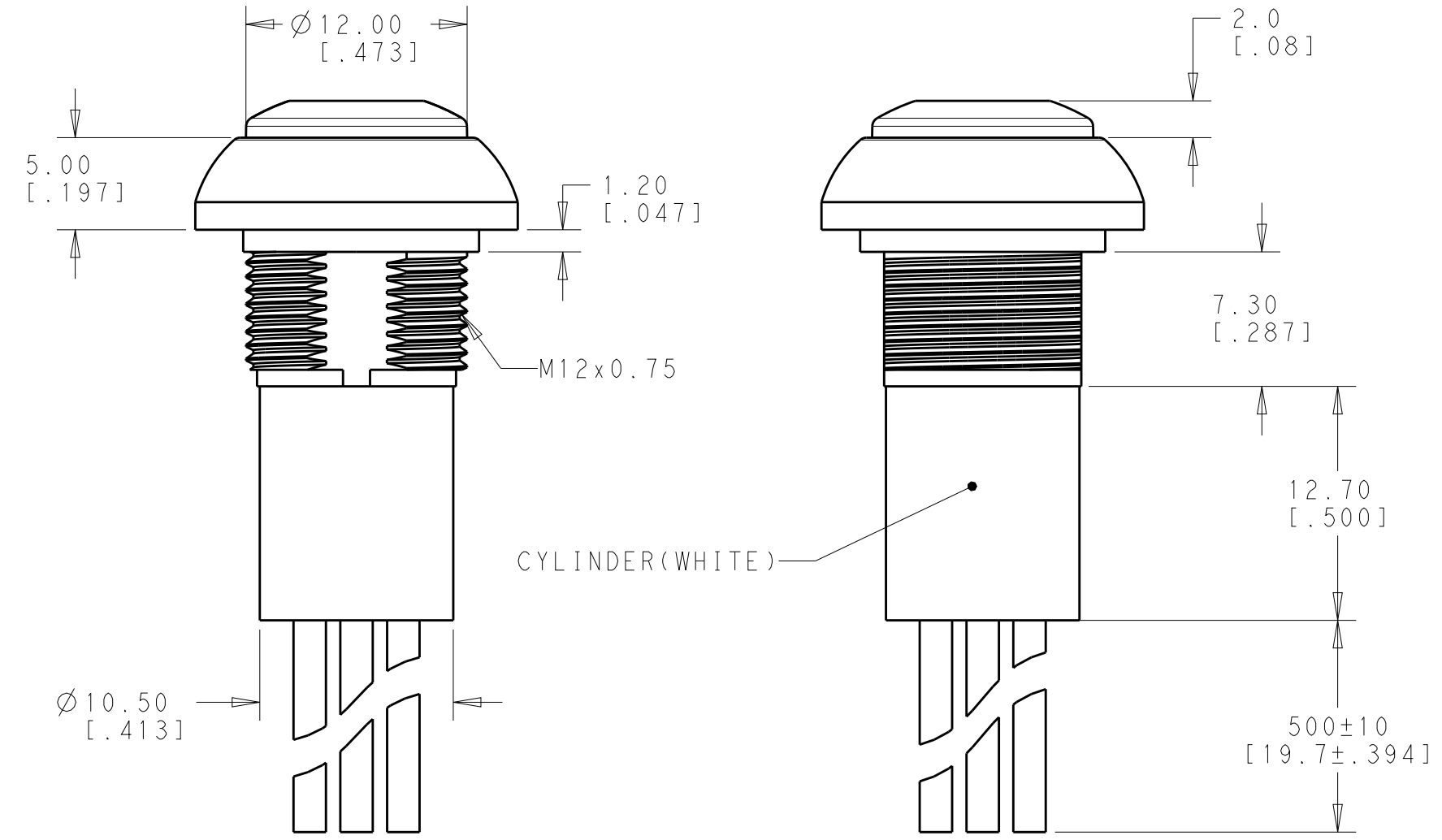
REVISIONS				
P	LTR	DESCRIPTION	DATE	APVD
2		REVISED TOLERANCE	20APR2018	JS AS



FLYING LEADS WITH COMMON STRAIN RELIEF OFF-(ON)

Model No.	POS. 1	POS. 2
	PB6	OFF
CONNECTED TERMINALS	OPEN	CLOSE
SCHEMATIC		

SWITCH FUNCTION



PANEL CUT-OUT THICKNESS: 1.5mm~4.0mm [0.059~.157]

SPECIFICATIONS:
 MAXIMUM CURRENT/VOLTAGE RATING WITH RESISTIVE LOAD:
 400mA 32VAC, 200mA 50VDC, 125mA 125VAC
 INITIAL CONTACT RESISTANCE: 100mΩ MAXIMUM, RESISTANCE OF THE WIRE NOT INCLUDED.
 CONTACT BOUNCE: 10ms
 ELECTRICAL LIFE AT FULL LOAD: 500,000 CYCLES
 MECHANICAL LIFE: 1,000,000 CYCLES
 TOTAL TRAVEL: 1.5 (.059)
 ACTUATION FORCE: 3 TO 6N
 OPERATING TEMPERATURE: -30° TO 85° C
 DEGREE OF PROTECTION: IP68, 1 HOUR @ 1 METER
 TORQUE: 0.5N·m MAXIMUM APPLIED TO NUT

MATERIALS:
 CAP: POLYAMIDE 6/6
 PLUNGER: POLYCARBONATE
 RUBBER: SILICONE
 BUSHING: POLYAMIDE 6/6
 CASE: DIALLYL PHTHALATE (DAP) (UL94 V-0)
 TERMINALS/CONTACTS: COPPER ALLOY, GOLD OVER SILVER PLATED
 HEX NUT: BRASS, NICKEL PLATED (1)
 LOCK WASHER: BRASS, NICKEL PLATED (1)
 O-RING: SILICONE (1)
 WIRE: UL 3385, 20 AWG, SECTION 0.6mm²
 SPRING: STEEL
 CYLINDER: PTFE

PACKAGING:
 SWITCHES ARE BUNDLED. HARDWARE IS NOT ASSEMBLED TO THE SWITCH.
COMPLIANCE:
 ALL MATERIALS AND FINISHES SHALL COMPLY WITH EU DIRECTIVE 2002/95/EC OF 27JAN2003(RoHS)
SOLDER PROCESSING:
 MANUAL SOLDERING: SOLDER IRON, 30 WATTS, CONTROLLED AT 350° C, APPROXIMATELY 5 SECONDS WHILE APPLYING SOLDER.

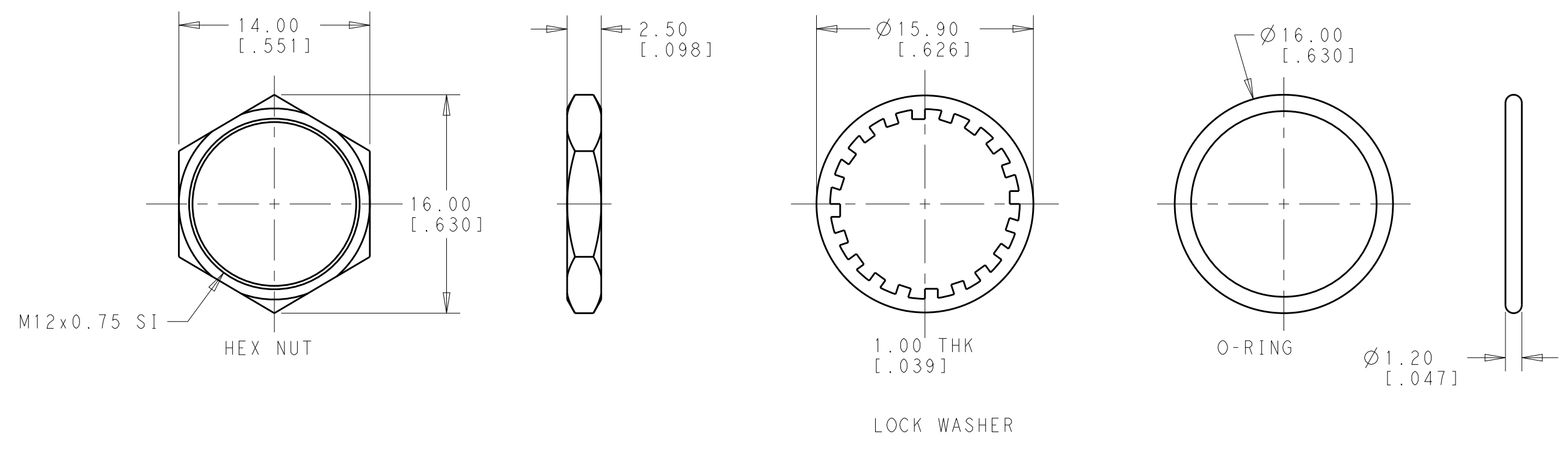
1. HARDWARE IS SHIPPED UNASSEMBLED.

NO.	DESCRIPTION	WIRE COLOR
4	LED-	GREEN
3	LED+	RED
2	TERMINAL 2	BLACK
1	TERMINAL 1	BLACK

THIS DRAWING IS A CONTROLLED DOCUMENT.		DWN: RAVLS 22FEB2018	TE Connectivity	
DIMENSIONS: mm [INCHES]		CHK: ALEXANDER SHARPE 22FEB2018		
TOLERANCES UNLESS OTHERWISE SPECIFIED:		APVD: ALEXANDER SHARPE 22FEB2018	NAME: SWITCH, PUSHBUTTON, FLAT CAP WITH LED, FLYING LEADS W/COMMON STRAIN RELIEF, SEALED, OFF-(ON)	
0 PLC ±	±0.4 [0.016]	PRODUCT SPEC	SIZE: A2	CAGE CODE: 00779
1 PLC ±	±0.25 [0.010]	APPLICATION SPEC	DRAWING NO: C-2329388	RESTRICTED TO
2 PLC ±	±	WEIGHT	SCALE: 3:2	SHEET 1 OF 2
3 PLC ±	±	CUSTOMER DRAWING	REV 2	
4 PLC ±	±5°			
ANGLES				
FINISH				

THIS DRAWING IS UNPUBLISHED. RELEASED FOR PUBLICATION
 © COPYRIGHT copyright.d8te- ALL RIGHTS RESERVED.

REVISIONS				
P	LTR	DESCRIPTION	DATE	APVD
-		SEE SHEET 1	-	-



POLE	THROW	TERMINAL TYPE	CAP TYPE & COLOR	LED COLOR	TE DESCRIPTIVE PART NUMBER	PART NUMBER
SINGLE POLE	OFF-(ON) MOMENTARY	FLYING LEADS WITH COMMON STRAIN RELIEF	FLAT, MATTE BLUE	BLUE	PB6B2FM7M1CAL07S500	2-2329388-5
				GREEN	PB6B2FM7M1CAL06S500	2-2329388-4
				YELLOW	PB6B2FM7M1CAL05S500	2-2329388-3
				RED	PB6B2FM7M1CAL03S500	2-2329388-2
				WHITE	PB6B2FM7M1CAL01S500	2-2329388-1
			FLAT, MATTE GREEN	BLUE	PB6B2FM6M1CAL07S500	2-2329388-0
				GREEN	PB6B2FM6M1CAL06S500	1-2329388-9
				YELLOW	PB6B2FM6M1CAL05S500	1-2329388-8
				RED	PB6B2FM6M1CAL03S500	1-2329388-7
				WHITE	PB6B2FM6M1CAL01S500	1-2329388-6
			FLAT, MATTE YELLOW	BLUE	PB6B2FM5M1CAL07S500	1-2329388-5
				GREEN	PB6B2FM5M1CAL06S500	1-2329388-4
				YELLOW	PB6B2FM5M1CAL05S500	1-2329388-3
				RED	PB6B2FM5M1CAL03S500	1-2329388-2
				WHITE	PB6B2FM5M1CAL01S500	1-2329388-1
			FLAT, MATTE RED	BLUE	PB6B2FM3M1CAL07S500	1-2329388-0
				GREEN	PB6B2FM3M1CAL06S500	2329388-9
				YELLOW	PB6B2FM3M1CAL05S500	2329388-8
				RED	PB6B2FM3M1CAL03S500	2329388-7
				WHITE	PB6B2FM3M1CAL01S500	2329388-6
FLAT, MATTE BLACK	BLUE	PB6B2FM2M1CAL07S500	2329388-5			
	GREEN	PB6B2FM2M1CAL06S500	2329388-4			
	YELLOW	PB6B2FM2M1CAL05S500	2329388-3			
	RED	PB6B2FM2M1CAL03S500	2329388-2			
	WHITE	PB6B2FM2M1CAL01S500	2329388-1			

THIS DRAWING IS A CONTROLLED DOCUMENT.

DWN: RAVI.S 22FEB2018
 CHK: ALEXANDER SHARPE 22FEB2018
 APVD: ALEXANDER SHARPE 22FEB2018

STE TE Connectivity

NAME: SWITCH, PUSHBUTTON, FLAT CAP WITH LED, FLYING LEADS W/COMMON STRAIN RELIEF, SEALED, OFF-(ON)

SIZE: A2 CAGE CODE: 00779 DRAWING NO: C-2329388

SCALE: 3:2 SHEET: 2 OF 2 REV: 2

X-ON Electronics

Largest Supplier of Electrical and Electronic Components

Click to view similar products for [Pushbutton Switches](#) category:

Click to view products by [TE Connectivity](#) manufacturer:

Other Similar products are found below :

[8940K2012](#) [LW1L-M1C10V-A](#) [LW1L-M1C70-A](#) [LW2L-A1C20M-GD](#) [LW2L-M1C20M-A](#) [60324L](#) [M22-D-R-GB0/K11](#) [M7E-HRN2](#)
[67021K512](#) [67081K512X](#) [701PB580](#) [7199K101](#) [810K12910](#) [810KSV30B](#) [MML21EA2ADK](#) [MML21KA3ABK](#) [MML23KA3AC05K-001](#)
[MML23KW3AA01W](#) [8418K2](#) [8442K2](#) [8442K3](#) [8450K1](#) [860K11911T01A](#) [861901](#) [861K11911T01A07](#) [861K13810T00A14](#) [861K13911](#)
[8646AB6X718UL](#) [8646ABUL](#) [9001KXRK](#) [907AYY100](#) [PMHD155A1](#) [9533CD4+U574+U4922](#) [95-414.000](#) [99-450.837](#) [99-453.837](#)
[PV3H2B0NN-341](#) [1203MRA](#) [A22NZBGANGA](#) [A22NZBNANGA](#) [A22NZMPATRA](#) [A2PMA1X03EC56](#) [A3A-5123-02](#) [A3A-7140](#) [A3A-7310](#) [A3A-7340](#) [A3U-TMW-A2C-5M](#) [A595](#) [12037A2ULCSA](#) [ABD122N-B](#)