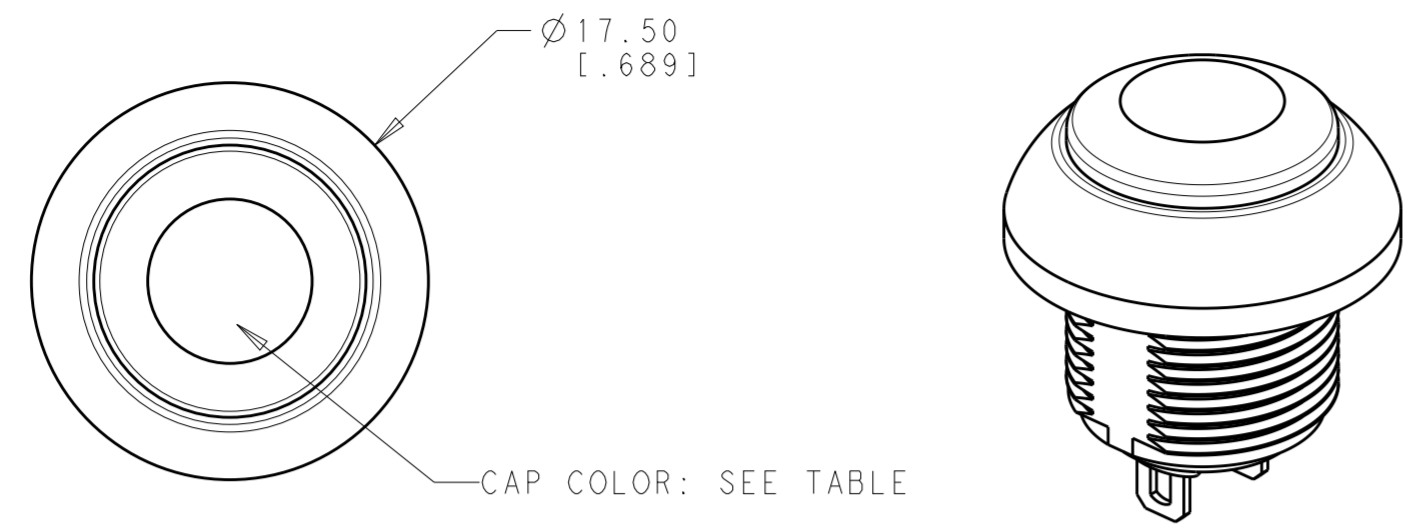


THIS DRAWING IS UNPUBLISHED. RELEASED FOR PUBLICATION  
 © COPYRIGHT copyright.d8te- ALL RIGHTS RESERVED.

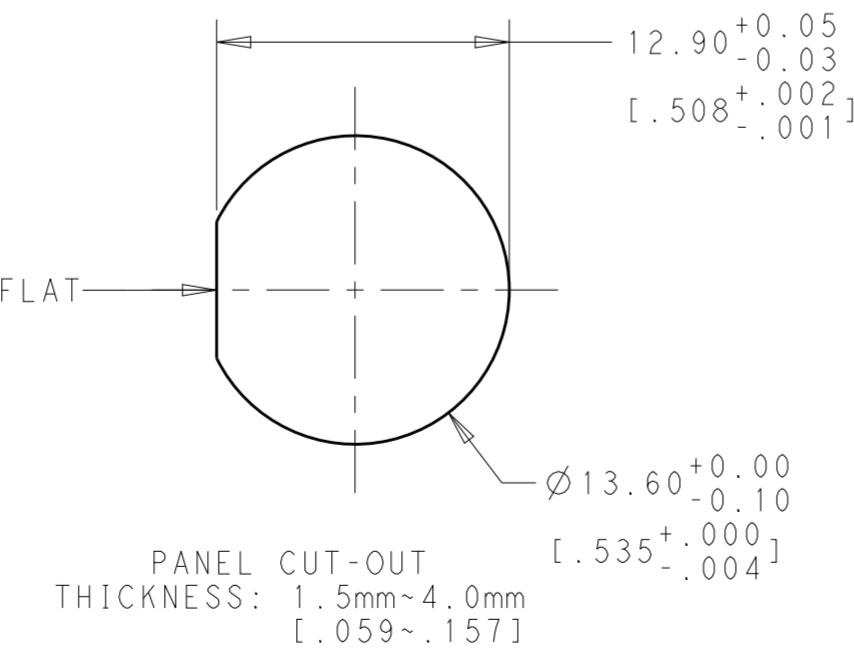
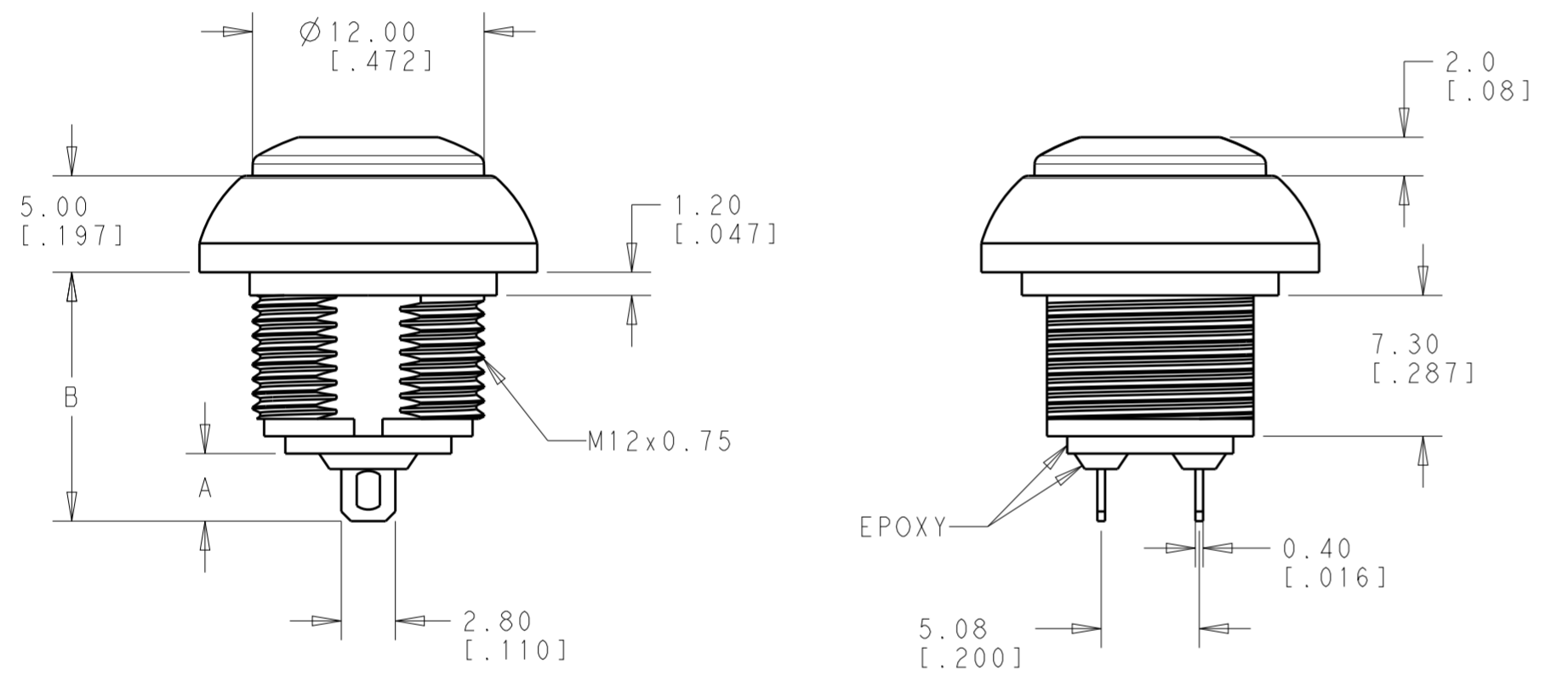
REVISIONS				
P	LTR	DESCRIPTION	DATE	APVD
2		REVISED TOLERANCE	20APR2018	JS AS



SOLDER TO WIRE  
OFF-(ON)

Model No.	POS. 1	POS. 2
PB6	OFF	MOM(ON)
CONNECTED TERMINALS	OPEN	CLOSE
SCHEMATIC		

SWITCH FUNCTION



**SPECIFICATIONS:**

MAXIMUM CURRENT/VOLTAGE RATING WITH RESISTIVE LOAD:  
 400mA 32VAC, 200mA 50VDC, 125mA 125VAC  
 INITIAL CONTACT RESISTANCE: 50mΩ MAXIMUM  
 INSULATION RESISTANCE: 1 GΩ MINIMUM AT 500 VDC  
 DIELECTRIC STRENGTH: 1,500 VAC RMS  
 CONTACT BOUNCE: 10ms  
 ELECTRICAL LIFE AT FULL LOAD: 500,000 CYCLES  
 MECHANICAL LIFE: 1,000,000 CYCLES  
 TOTAL TRAVEL: 1.5 (.059)  
 ACTUATION FORCE: 3 TO 6N  
 OPERATING TEMPERATURE: -30° TO 85° C  
 DEGREE OF PROTECTION: IP68, 1 HOUR @ 1 METER  
 TORQUE: 0.5N·m MAXIMUM APPLIED TO NUT

**MATERIALS:**

CAP: POLYAMIDE 6/6  
 PLUNGER: POLYAMIDE 6/6 OR POLYCARBONATE  
 RUBBER: SILICONE  
 BUSHING: POLYAMIDE 6/6  
 CASE: DIALLYL PHTHALATE (DAP) (UL94 V-0)  
 TERMINALS/CONTACTS: COPPER ALLOY, GOLD OVER SILVER PLATED  
 HEX NUT: BRASS, NICKEL PLATED (1)  
 LOCK WASHER: BRASS, NICKEL PLATED (1)  
 O-RING: SILICONE (1)  
 SPRING: STEEL

**PACKAGING:**

SWITCHES ARE PACKAGED IN TRAYS. HARDWARE IS NOT ASSEMBLED TO THE SWITCH.

**COMPLIANCE:**

ALL MATERIALS AND FINISHES SHALL COMPLY WITH EU DIRECTIVE 2002/95/EC OF 27JAN2003(RoHS)

**SOLDER PROCESSING:**

MANUAL SOLDERING: SOLDER IRON, 30 WATTS, CONTROLLED AT 350° C, APPROXIMATELY 5 SECONDS WHILE APPLYING SOLDER.

**WAVE SOLDERING:**

260+/-5° C, 5 SECONDS MAXIMUM DURATION, PCB THICKNESS 1.6MM  
 110°C MAXIMUM AMBIENT TEMPERATURE OF THE SOLDER SURFACE OF THE PC BOARD.

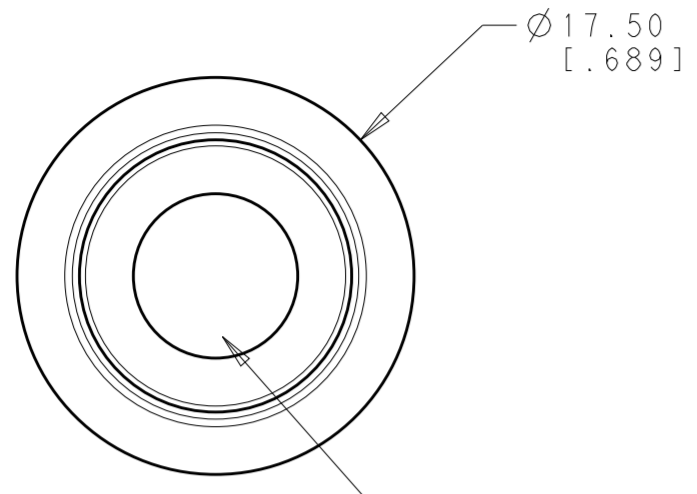
1. HARDWARE IS SHIPPED UNASSEMBLED.

THIS DRAWING IS A CONTROLLED DOCUMENT.		DWN RAVLS 22FEB2018	TE Connectivity	
DIMENSIONS: mm[INCHES]		CHK ALEXANDER SHARPE 22FEB2018		
TOLERANCES UNLESS OTHERWISE SPECIFIED:		APVD ALEXANDER SHARPE 22FEB2018	NAME SWITCH, PUSHBUTTON, FLAT CAP NO LED, SOLDER TERMINATION, SEALED, OFF-(ON) AND ON-(OFF)	
0 PLC ± 1 PLC ±0.4[.016] 2 PLC ±0.25[.010] 3 PLC ± 4 PLC ± ANGLES ±5° FINISH -		PRODUCT SPEC -	SIZE A200779	DRAWING NO C-2329383
MATERIAL -		APPLICATION SPEC -	RESTRICTED TO	
		WEIGHT -	SCALE 4:1	SHEET 1 OF 4
		CUSTOMER DRAWING		REV 2

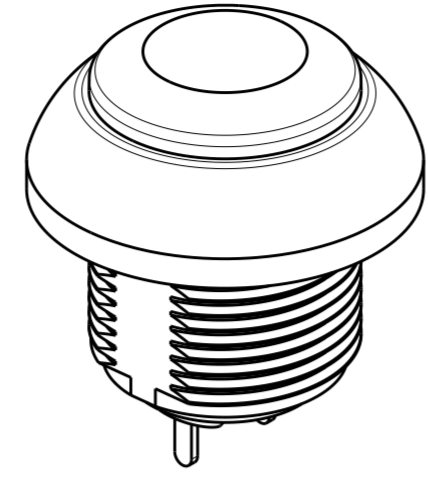
THIS DRAWING IS UNPUBLISHED. RELEASED FOR PUBLICATION  
 © COPYRIGHT copyright.d8te- ALL RIGHTS RESERVED.

REVISIONS				
P	LTR	DESCRIPTION	DATE	APVD
-	-	SEE SHEET 1	-	-

SOLDER TO PCB  
OFF - (ON)

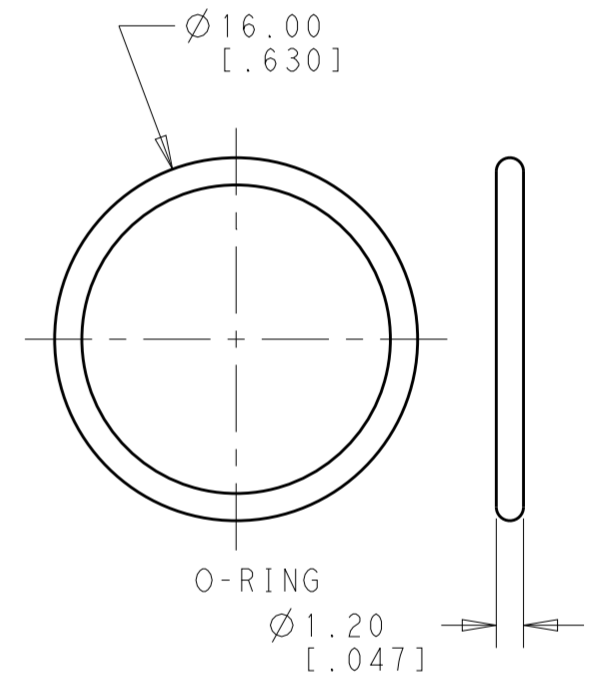
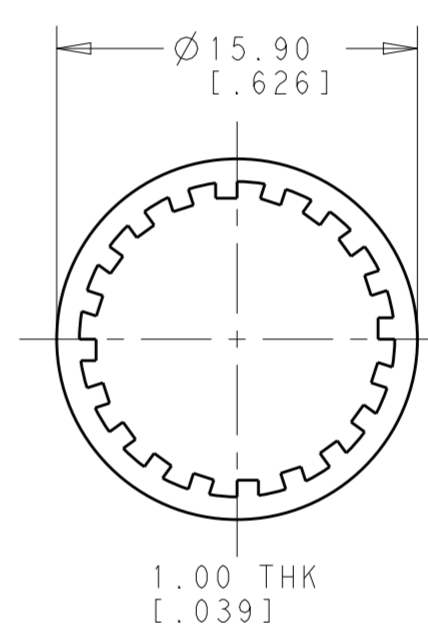
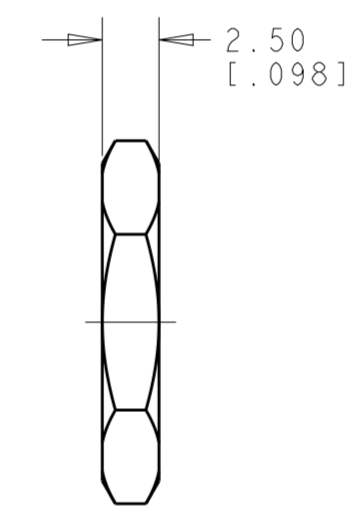
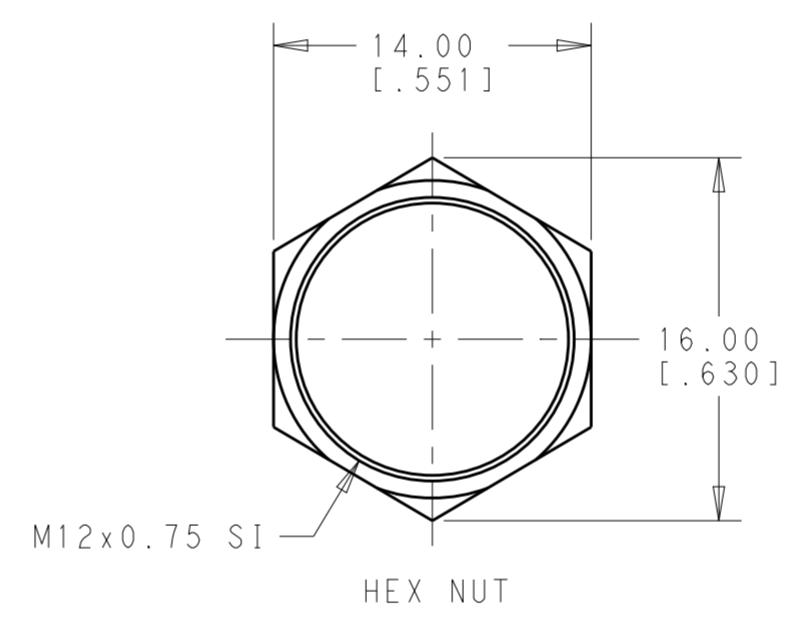
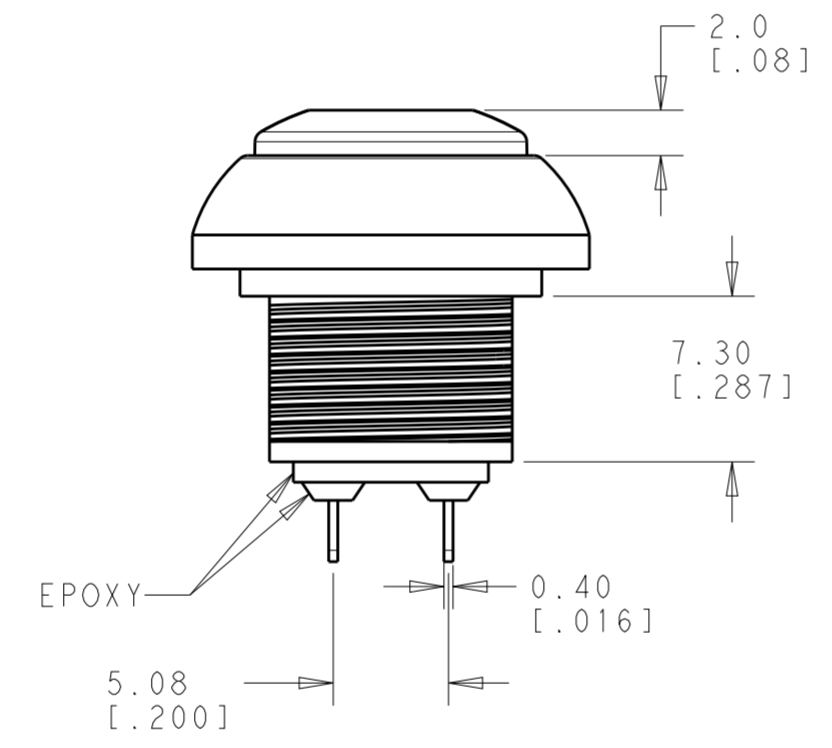
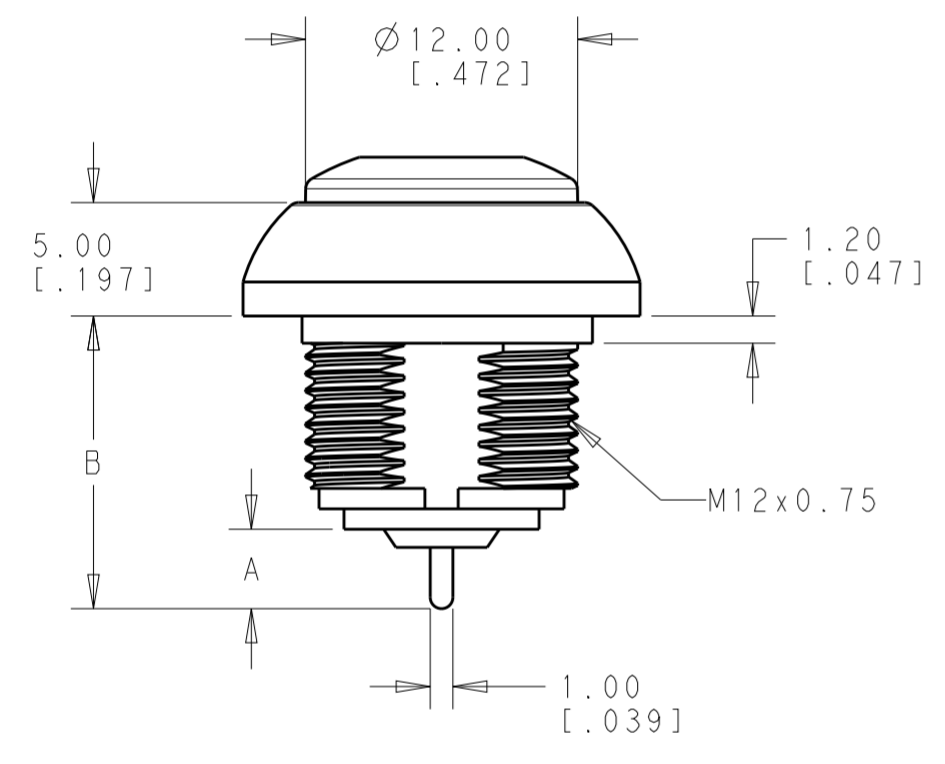


CAP COLOR: SEE TABLE

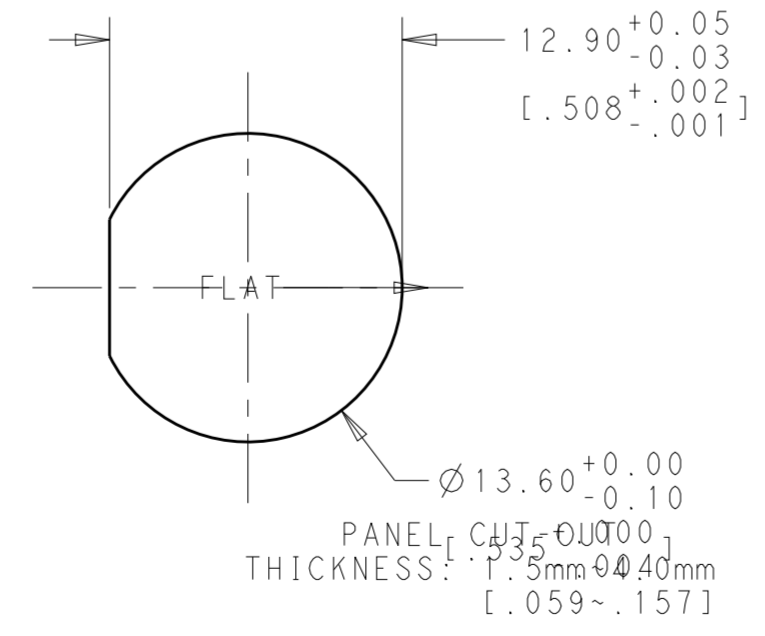
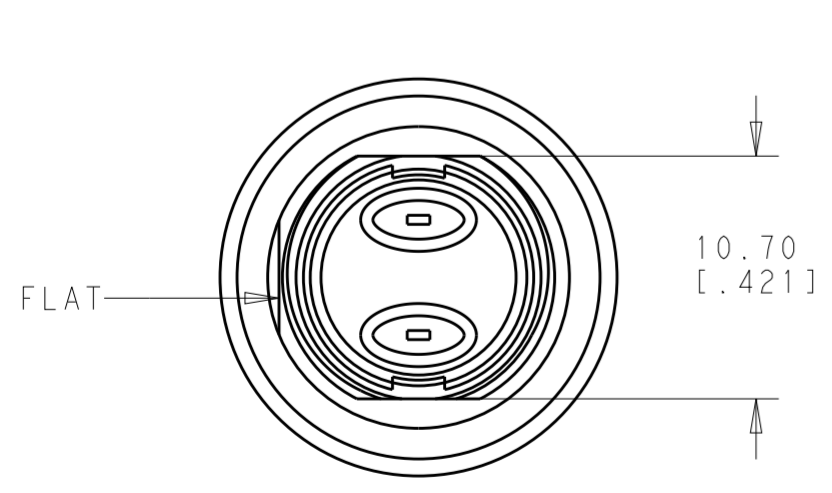


Model No.	POS. 1	POS. 2
PB6	OFF	MOM(ON)
CONNECTED TERMINALS	OPEN	CLOSE
SCHEMATIC		

SWITCH FUNCTION



LOCK WASHER

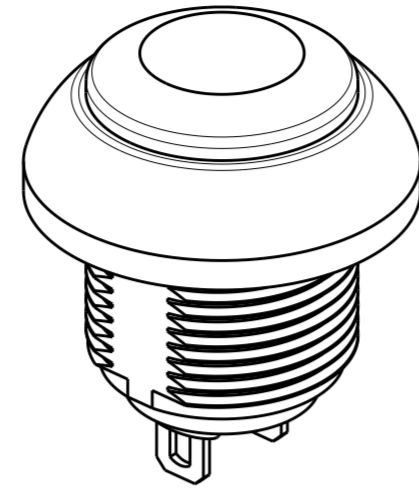
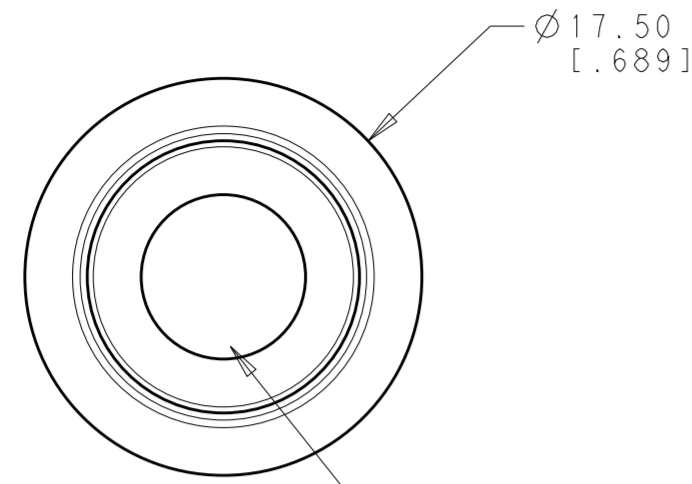


THIS DRAWING IS A CONTROLLED DOCUMENT.		DWN RAVLS 22FEB2018	TE Connectivity	
DIMENSIONS: mm [INCHES]		CHK ALEXANDER SHARPE 22FEB2018		
TOLERANCES UNLESS OTHERWISE SPECIFIED:		APVD ALEXANDER SHARPE 22FEB2018	NAME SWITCH, PUSHBUTTON, FLAT CAP NO LED, SOLDER TERMINATION, SEALED, OFF-(ON) AND ON-(OFF)	
0 PLC ±	1 PLC ±0.4 [0.016]	PRODUCT SPEC	SIZE	CAGE CODE
2 PLC ±0.25 [0.010]	3 PLC ±	APPLICATION SPEC	A200779	G-2329383
4 PLC ±	ANGLES ±5°	WEIGHT	DRAWING NO	
FINISH		CUSTOMER DRAWING	SCALE 4:1	SHEET 2 OF 4
			REV 2	

THIS DRAWING IS UNPUBLISHED. RELEASED FOR PUBLICATION  
 © COPYRIGHT copyright.d8te- ALL RIGHTS RESERVED.

REVISIONS				
P	LTR	DESCRIPTION	DATE	APVD
-		SEE SHEET 1	-	-

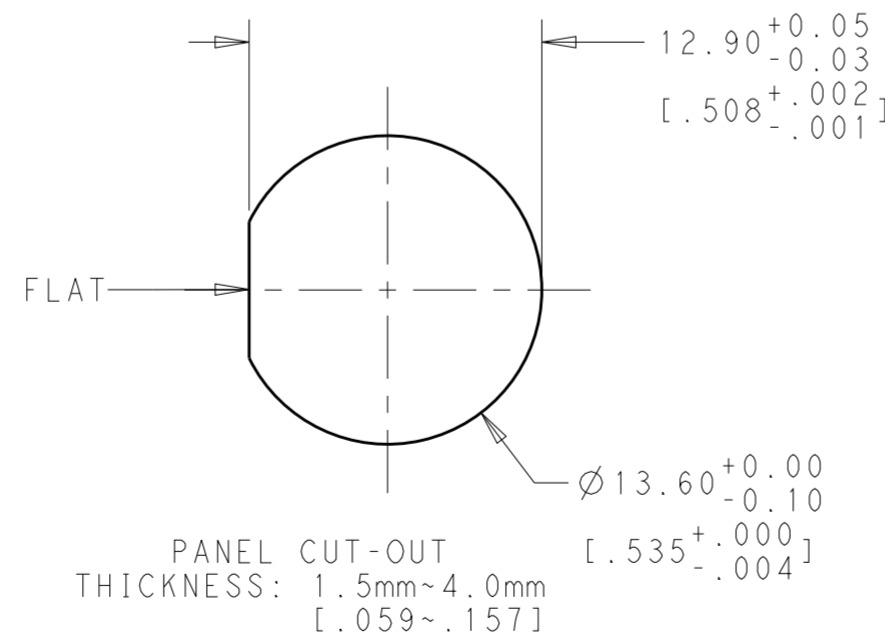
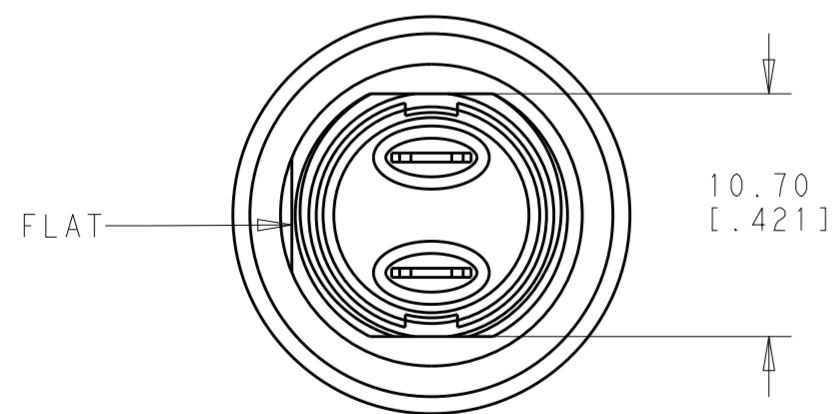
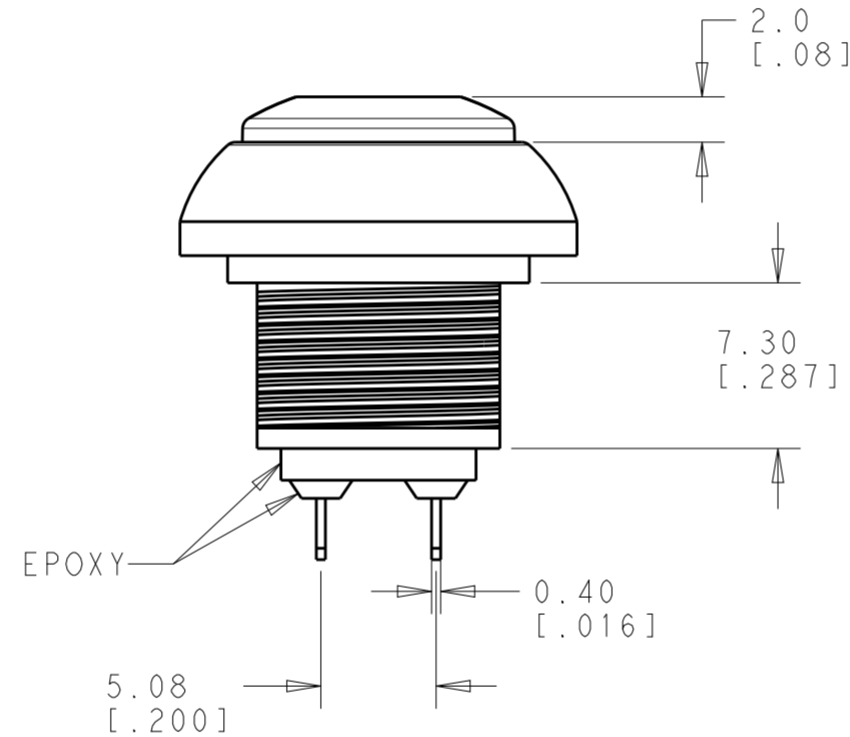
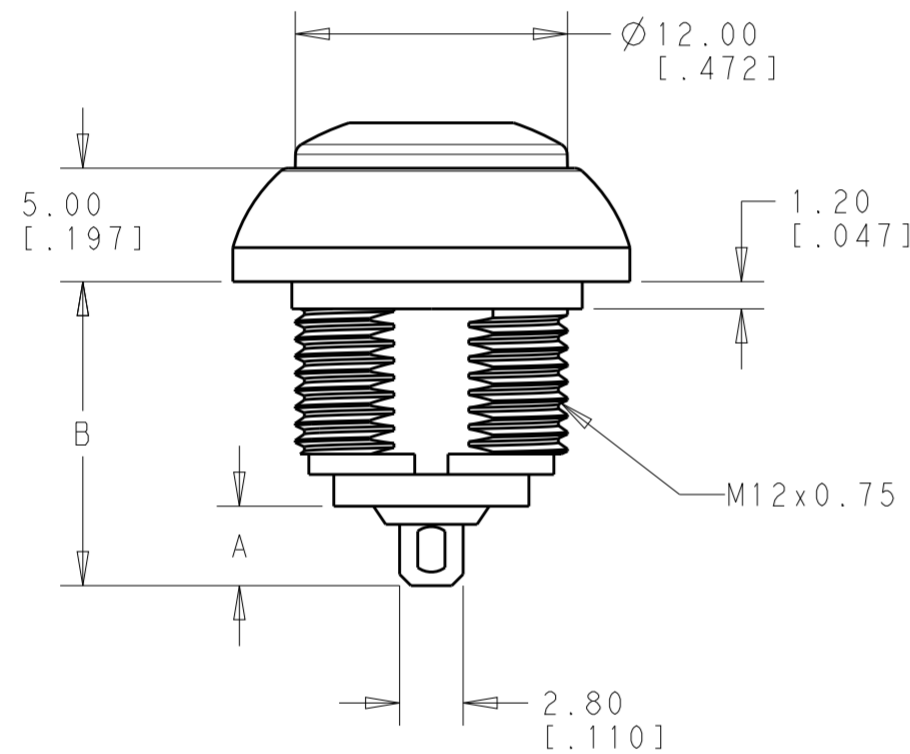
SOLDER TO WIRE  
ON-(OFF)



CAP COLOR: SEE TABLE

Model No.	POS. 1	POS. 2
PB7	ON	MOM(OFF)
CONNECTED TERMINALS	CLOSE	OPEN
SCHEMATIC		

SWITCH FUNCTION



THIS DRAWING IS A CONTROLLED DOCUMENT.		DWN RAVLS 22FEB2018	TE Connectivity	
DIMENSIONS: mm [INCHES]		CHK ALEXANDER SHARPE 22FEB2018		
TOLERANCES UNLESS OTHERWISE SPECIFIED:		APVD ALEXANDER SHARPE 22FEB2018	NAME SWITCH, PUSHBUTTON, FLAT CAP NO LED, SOLDER TERMINATION, SEALED, OFF-(ON) AND ON-(OFF)	
0 PLC ±		PRODUCT SPEC	SIZE   CAGE CODE   DRAWING NO	
1 PLC ±0.4 [.016]		APPLICATION SPEC	A200779   C-2329383	
2 PLC ±0.25 [.010]		WEIGHT	RESTRICTED TO	
3 PLC ±		CUSTOMER DRAWING	SCALE 4:1   SHEET 3 OF 4   REV 2	
4 PLC ±				
ANGLES ±5°				
FINISH				

THIS DRAWING IS UNPUBLISHED. RELEASED FOR PUBLICATION  
 © COPYRIGHT copyright.dBTe ALL RIGHTS RESERVED.

REVISIONS				
P	LTR	DESCRIPTION	DATE	APVD
-		SEE SHEET 1	-	-

POLE	THROW	DIMENSION B	DIMENSION A, TERMINAL TYPE	CAP TYPE & COLOR	LED COLOR	TE DESCRIPTIVE PART NUMBER	PART NUMBER
SINGLE POLE	ON-(OFF) MOMENTARY	13.40 [.527]	3.40 [.134] SOLDER LUG (TO WIRE)	FLAT, MATTE BLUE N/A FLAT, MATTE GREEN N/A FLAT, MATTE YELLOW N/A FLAT, MATTE RED N/A FLAT, MATTE BLACK N/A	N/A	PB7B2FM7M1CAL00 PB7B2FM6M1CAL00 PB7B2FM5M1CAL00 PB7B2FM3M1CAL00 PB7B2FM2M1CAL00	2-2329383-5 2-2329383-4 2-2329383-3 2-2329383-2 2-2329383-1
	OFF-(ON) MOMENTARY	12.90 [.508]	3.50 [.138] SOLDER POST (TO PCB)	FLAT, MATTE BLUE N/A	N/A	PB6B2FM7M4CAL00	2-2329383-0
FLAT, MATTE GREEN N/A				N/A	PB6B2FM6M4CAL00	1-2329383-9	
FLAT, MATTE YELLOW N/A				N/A	PB6B2FM5M4CAL00	1-2329383-8	
FLAT, MATTE RED N/A				N/A	PB6B2FM3M4CAL00	1-2329383-7	
17.60 [.693]		8.20 [.323] SOLDER LUG (TO WIRE)	FLAT, MATTE BLUE N/A	N/A	PB6B2FM7M3CAL00	1-2329383-5	
			FLAT, MATTE GREEN N/A	N/A	PB6B2FM6M3CAL00	1-2329383-4	
			FLAT, MATTE YELLOW N/A	N/A	PB6B2FM5M3CAL00	1-2329383-3	
			FLAT, MATTE RED N/A	N/A	PB6B2FM3M3CAL00	1-2329383-2	
14.90 [.587]		5.50 [.217] SOLDER LUG (TO WIRE)	FLAT, MATTE BLACK N/A	N/A	PB6B2FM2M3CAL00	1-2329383-1	
			FLAT, MATTE BLUE N/A	N/A	PB6B2FM7M2CAL00	1-2329383-0	
			FLAT, MATTE GREEN N/A	N/A	PB6B2FM6M2CAL00	2329383-9	
			FLAT, MATTE YELLOW N/A	N/A	PB6B2FM5M2CAL00	2329383-8	
12.90 [.508]		3.50 [.138] SOLDER LUG (TO WIRE)	FLAT, MATTE RED N/A	N/A	PB6B2FM3M2CAL00	2329383-7	
			FLAT, MATTE BLACK N/A	N/A	PB6B2FM2M2CAL00	2329383-6	
			FLAT, MATTE BLUE N/A	N/A	PB6B2FM7M1CAL00	2329383-5	
			FLAT, MATTE GREEN N/A	N/A	PB6B2FM6M1CAL00	2329383-4	
				FLAT, MATTE YELLOW N/A	N/A	PB6B2FM5M1CAL00	2329383-3
				FLAT, MATTE RED N/A	N/A	PB6B2FM3M1CAL00	2329383-2
				FLAT, MATTE BLACK N/A	N/A	PB6B2FM2M1CAL00	2329383-1

THIS DRAWING IS A CONTROLLED DOCUMENT.

DWN: RAVI.S 22FEB2018  
 CHK: ALEXANDER SHARPE 22FEB2018  
 APVD: ALEXANDER SHARPE 22FEB2018

**STE** TE Connectivity

NAME: SWITCH, PUSHBUTTON, FLAT CAP NO LED, SOLDER TERMINATION, SEALED, OFF-(ON) AND ON-(OFF)

SIZE: A2 CAGE CODE: 00779 DRAWING NO: C-2329383

SCALE: 4:1 SHEET: 4 OF 4 REV: 2

CUSTOMER DRAWING

DIMENSIONS: mm [INCHES]	TOLERANCES UNLESS OTHERWISE SPECIFIED:
	0 PLC ± 1 PLC ±0.4 [.016] 2 PLC ±0.25 [.010] 3 PLC ± 4 PLC ±
MATERIAL	ANGLES ±5° FINISH

## X-ON Electronics

Largest Supplier of Electrical and Electronic Components

*Click to view similar products for [Pushbutton Switches](#) category:*

*Click to view products by [TE Connectivity](#) manufacturer:*

Other Similar products are found below :

[8940K2012](#) [LW1L-M1C10V-A](#) [LW1L-M1C70-A](#) [LW2L-A1C20M-GD](#) [LW2L-M1C20M-A](#) [60324L](#) [M22-D-R-GB0/K11](#) [M7E-HRN2](#)  
[67021K512](#) [67081K512X](#) [701PB580](#) [7199K101](#) [810K12910](#) [810KSV30B](#) [MML21EA2ADK](#) [MML21KA3ABK](#) [MML23KA3AC05K-001](#)  
[MML23KW3AA01W](#) [8418K2](#) [8442K3](#) [8450K1](#) [860K11911T01A](#) [861901](#) [861K11911T01A07](#) [861K13810T00A14](#) [861K13911](#)  
[8646AB6X718UL](#) [8646ABUL](#) [9001KXRK](#) [907AYY100](#) [PMHD155A1](#) [9533CD4+U574+U4922](#) [95-414.000](#) [99-450.837](#) [99-453.837](#)  
[PV3H2B0NN-341](#) [1203MRA](#) [A22NZBGANGA](#) [A22NZBNANGA](#) [A22NZMPATRA](#) [A2PMA1X03EC56](#) [A3A-5123-02](#) [A3A-7140](#) [A3A-7310](#) [A3A-7340](#) [A3U-TMW-A2C-5M](#) [A595](#) [12037A2ULCSA](#) [ABD122N-B](#) [1211390004](#)