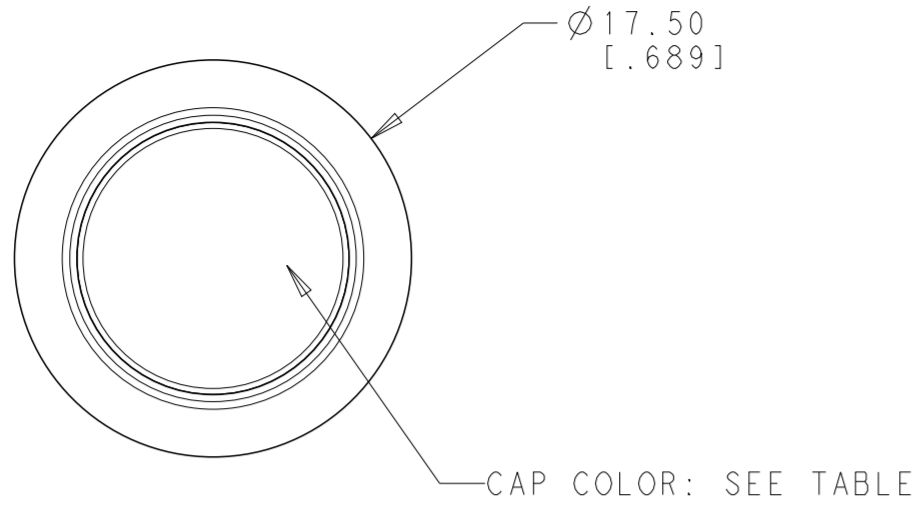


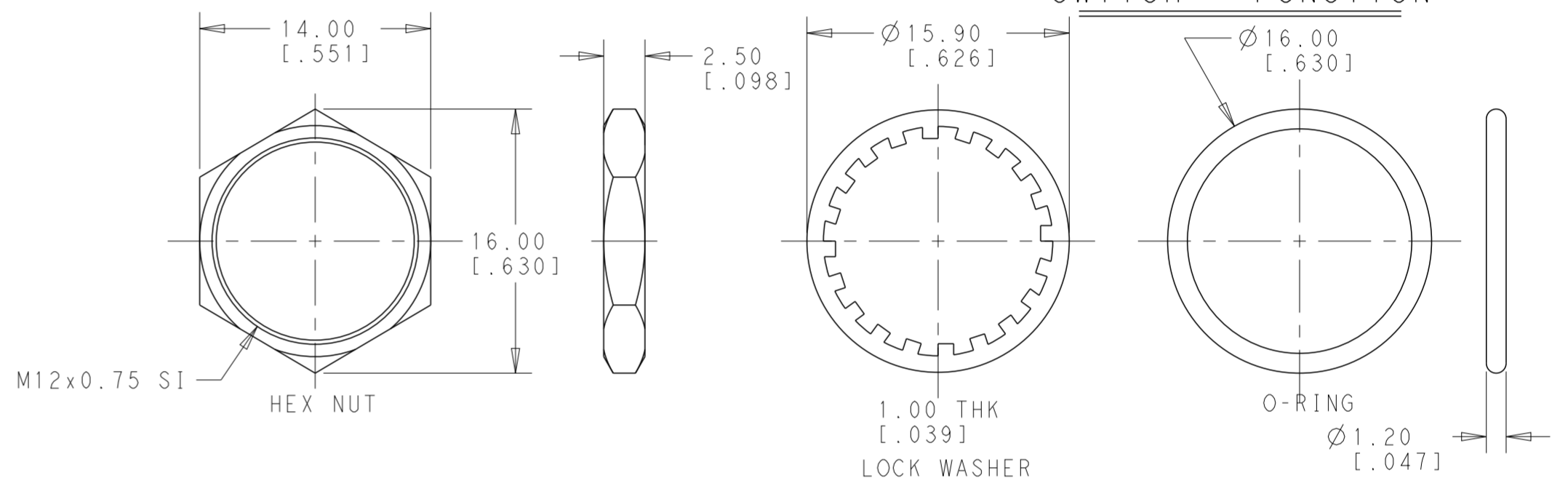
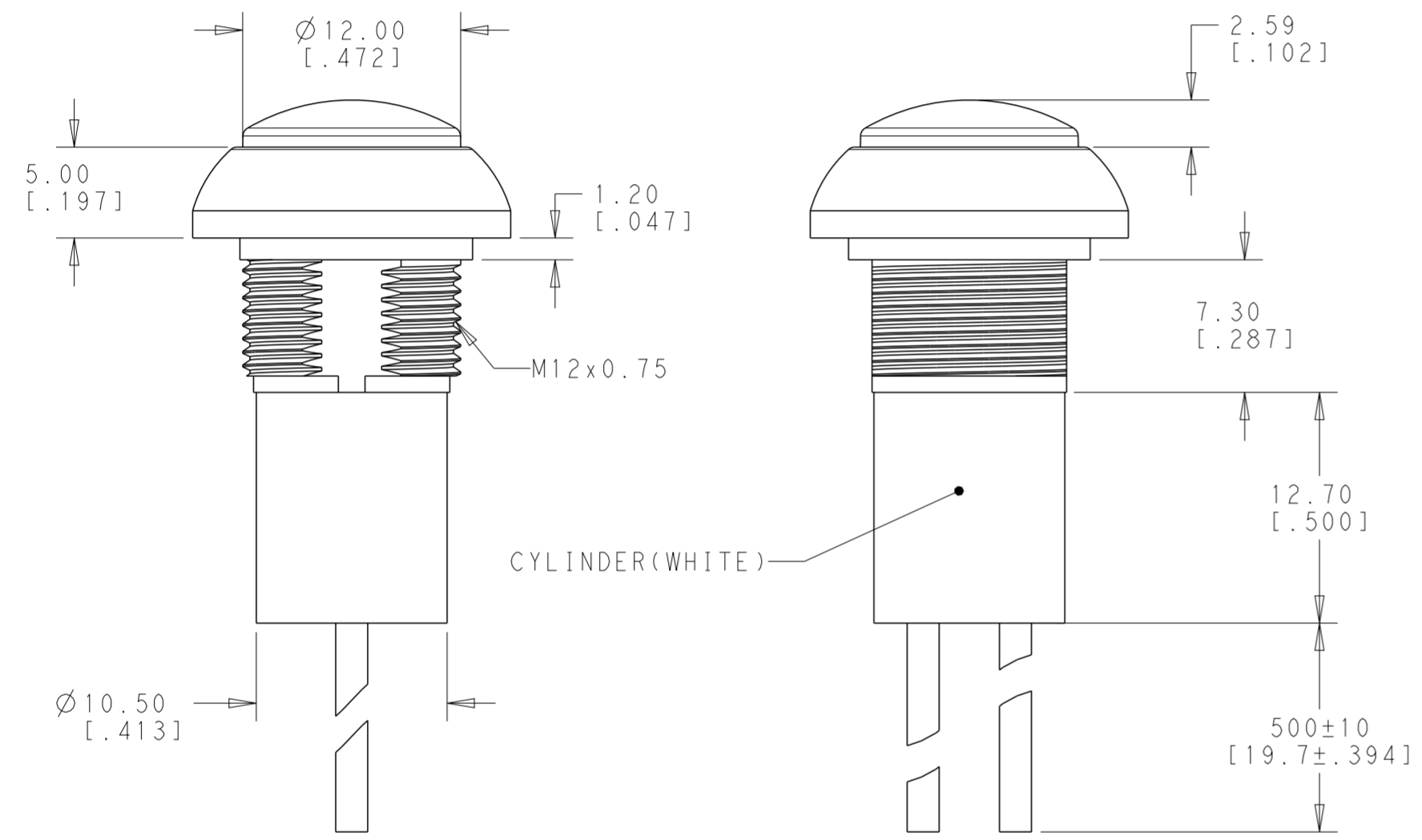
THIS DRAWING IS UNPUBLISHED. RELEASED FOR PUBLICATION
 © COPYRIGHT copyright.d8te- ALL RIGHTS RESERVED.

REVISIONS				
P	LTR	DESCRIPTION	DATE	DWN APVD
1		NEW DRAWING	22FEB2018	RS AS



FLYING LEADS WITH COMMON STRAIN RELIEF OFF-(ON)

Model No.	POS. 1	POS. 2
PB6	OFF	MOM(ON)
CONNECTED TERMINALS	OPEN	CLOSE
SCHEMATIC		



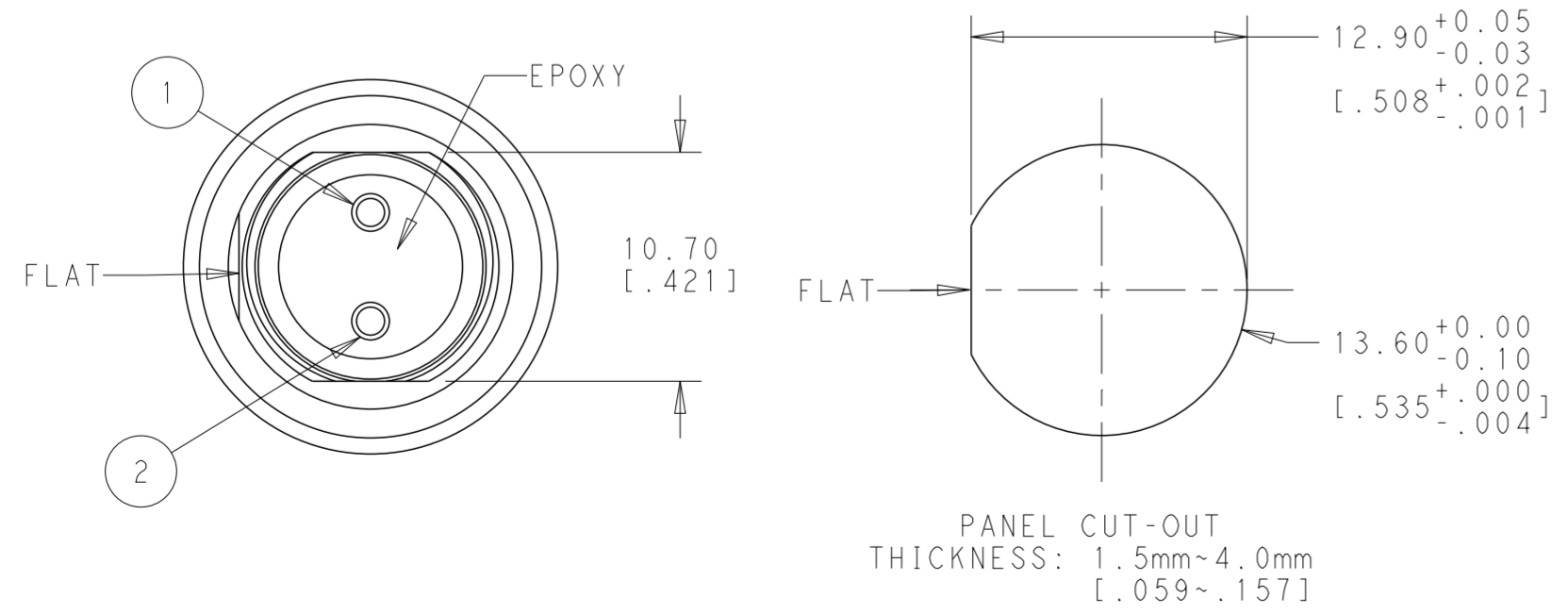
SWITCH FUNCTION

SPECIFICATIONS:
 MAXIMUM CURRENT/VOLTAGE RATING WITH RESISTIVE LOAD:
 400mA 32VAC, 200mA 50VDC, 125mA 125VAC
 INITIAL CONTACT RESISTANCE: 100mΩ MAXIMUM, RESISTANCE OF THE WIRE NOT INCLUDED.
 INSULATION RESISTANCE: 1 GΩ MINIMUM AT 500 VDC
 DIELECTRIC STRENGTH: 1,500 VAC RMS
 CONTACT BOUNCE: 10ms
 ELECTRICAL LIFE AT FULL LOAD: 500,000 CYCLES
 MECHANICAL LIFE: 1,000,000 CYCLES
 TOTAL TRAVEL: 1.5 (.059)
 ACTUATION FORCE: 3 TO 6N
 OPERATING TEMPERATURE: -30° TO 85° C
 DEGREE OF PROTECTION: IP68, 1 HOUR @ 1 METER
 TORQUE: 0.5N·m MAXIMUM APPLIED TO NUT

MATERIALS:
 CAP: POLYAMIDE 6/6
 PLUNGER: POLYAMIDE 6/6 OR POLYCARBONATE
 RUBBER: SILICONE
 BUSHING: POLYAMIDE 6/6
 CASE: DIALLYL PHTHALATE (DAP) (UL94 V-0)
 TERMINALS/CONTACTS: COPPER ALLOY, GOLD OVER SILVER PLATED
 HEX NUT: BRASS, NICKEL PLATED (1)
 LOCK WASHER: BRASS, NICKEL PLATED (1)
 O-RING: SILICONE (1)
 WIRE: UL 3385, AWG 20, SECTION 0.6mm²
 SPRING: STEEL
 CYLINDER: PTFE

PACKAGING:
 SWITCHES ARE BUNDLED. HARDWARE IS NOT ASSEMBLED TO THE SWITCH.
COMPLIANCE:
 ALL MATERIALS AND FINISHES SHALL COMPLY WITH EU DIRECTIVE 2002/95/EC OF 27JAN2003(ROHS)
SOLDER PROCESSING:
 MANUAL SOLDERING: SOLDER IRON, 30 WATTS, CONTROLLED AT 350° C, APPROXIMATELY 5 SECONDS WHILE APPLYING SOLDER.

NO.	DESCRIPTION	WIRE COLOR
2	TERMINAL 2	BLACK
1	TERMINAL 1	BLACK



PANEL CUT-OUT
 THICKNESS: 1.5mm~4.0mm
 [0.059~.157]

1. HARDWARE IS SHIPPED UNASSEMBLED.


THIS DRAWING IS A CONTROLLED DOCUMENT.		DWN RAVLS 22FEB2018	TE Connectivity	
DIMENSIONS: mm[INCHES]		CHK ALEXANDER SHARPE 22FEB2018		
TOLERANCES UNLESS OTHERWISE SPECIFIED:		APVD ALEXANDER SHARPE 22FEB2018	NAME SWITCH, PUSHBUTTON, ROUND CAP NO LED, FLYING LEADS WITH COMMON STRAIN RELIEF, SEALED, OFF-(ON)	
0 PLC ± 1 PLC ±0.4[.016] 2 PLC ±0.25[.010] 3 PLC ± 4 PLC ±		PRODUCT SPEC -	SIZE A200779	
MATERIAL -		FINISH -	DRAWING NO C-2329361	
-		WEIGHT -	RESTRICTED TO	
-		CUSTOMER DRAWING	SCALE 5:1	SHEET 1 OF 2
-			REV 1	

THIS DRAWING IS UNPUBLISHED. RELEASED FOR PUBLICATION
 © COPYRIGHT copyright.d8te ALL RIGHTS RESERVED.

REVISIONS				
P	LTR	DESCRIPTION	DATE	APVD
-	-	SEE SHEET 1	-	-

POLE	THROW	TERMINAL TYPE	CAP TYPE & COLOR	LED COLOR	TE DESCRIPTIVE PART NUMBER	PART NUMBER
SINGLE POLE	OFF-(ON) MOMENTARY	FLYING LEADS WITH COMMON STRAIN RELIEF	ROUND, SHINY BLUE	N/A	PB6B2RS7MICAL00S500	2329361-5
			ROUND, SHINY GREEN	N/A	PB6B2RS6MICAL00S500	2329361-4
			ROUND, SHINY YELLOW	N/A	PB6B2RS5MICAL00S500	2329361-3
			ROUND, SHINY RED	N/A	PB6B2RS3MICAL00S500	2329361-2
			ROUND, SHINY BLACK	N/A	PB6B2RS2MICAL00S500	2329361-1

THIS DRAWING IS A CONTROLLED DOCUMENT.

DWN RAVLS 22FEB2018	 TE Connectivity NAME SWITCH, PUSHBUTTON, ROUND CAP NO LED, FLYING LEADS WITH COMMON STRAIN RELIEF, SEALED, OFF-(ON)
CHK ALEXANDER SHARPE 22FEB2018	
APVD ALEXANDER SHARPE 22FEB2018	
PRODUCT SPEC -	
APPLICATION SPEC -	SIZE A2
WEIGHT -	CAGE CODE 00779
CUSTOMER DRAWING	DRAWING NO C-2329361
	RESTRICTED TO
	SCALE 5:1
	SHEET 2 OF 2
	REV 1

X-ON Electronics

Largest Supplier of Electrical and Electronic Components

Click to view similar products for [Pushbutton Switches](#) category:

Click to view products by [TE Connectivity](#) manufacturer:

Other Similar products are found below :

[8940K2012](#) [LW1L-M1C10V-A](#) [LW1L-M1C70-A](#) [LW2L-A1C20M-GD](#) [LW2L-M1C20M-A](#) [60324L](#) [M22-D-R-GB0/K11](#) [M7E-HRN2](#)
[67021K512](#) [67081K512X](#) [701PB580](#) [7199K101](#) [810K12910](#) [810KSV30B](#) [MML21EA2ADK](#) [MML21KA3ABK](#) [MML23KA3AC05K-001](#)
[MML23KW3AA01W](#) [8418K2](#) [8442K3](#) [8450K1](#) [860K11911T01A](#) [861901](#) [861K11911T01A07](#) [861K13810T00A14](#) [861K13911](#)
[8646AB6X718UL](#) [8646ABUL](#) [9001KXRK](#) [907AYY100](#) [PMHD155A1](#) [9533CD4+U574+U4922](#) [95-414.000](#) [99-450.837](#) [99-453.837](#)
[PV3H2B0NN-341](#) [1203MRA](#) [A22NZBGANGA](#) [A22NZBNANGA](#) [A22NZMPATRA](#) [A2PMA1X03EC56](#) [A3A-5123-02](#) [A3A-7140](#) [A3A-7310](#) [A3A-7340](#) [A3U-TMW-A2C-5M](#) [A595](#) [12037A2ULCSA](#) [ABD122N-B](#) [1211390004](#)