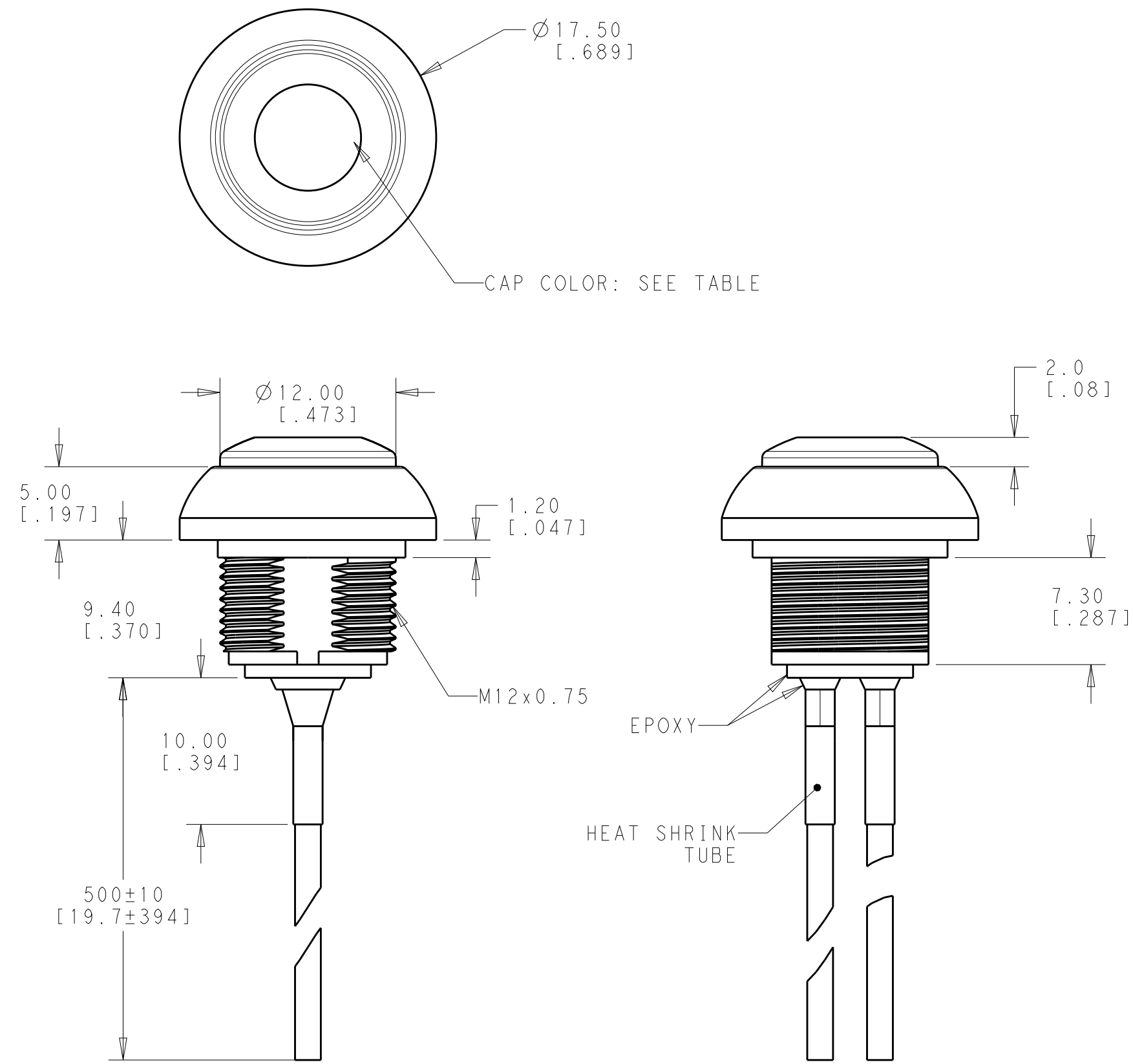


THIS DRAWING IS UNPUBLISHED. RELEASED FOR PUBLICATION  
 © COPYRIGHT copyright.d8te- ALL RIGHTS RESERVED.

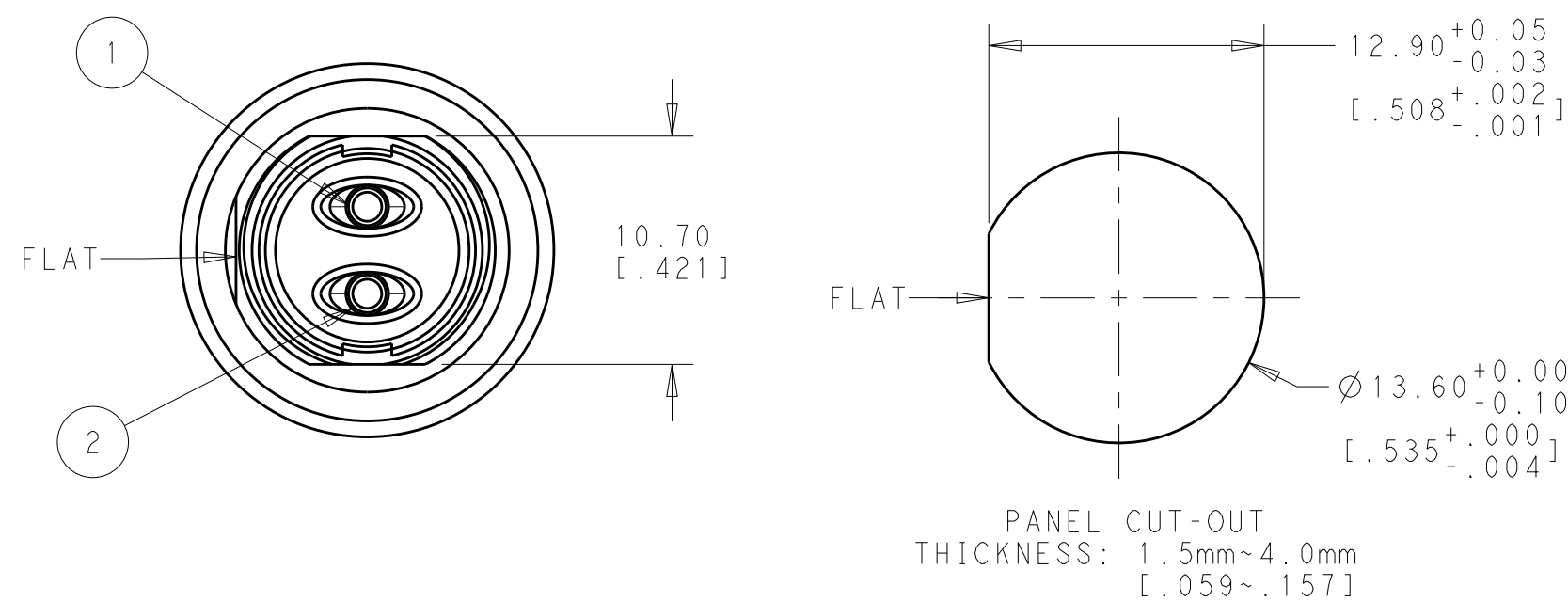
REVISIONS				
P	LTR	DESCRIPTION	DATE	APVD
2		REVISED TOLERANCE	20APR2018	JS AS

### FLYING LEADS OFF-(ON)



Model No.	POS. 1	POS. 2
PB6	OFF	MOM(ON)
CONNECTED TERMINALS	OPEN	CLOSE
SCHEMATIC		

**SWITCH FUNCTION**



**SPECIFICATIONS:**

MAXIMUM CURRENT/VOLTAGE RATING WITH RESISTIVE LOAD:  
 400mA 32VAC, 200mA 50VDC, 125mA 125VAC

INITIAL CONTACT RESISTANCE: 100mΩ MAXIMUM, RESISTANCE OF THE WIRE NOT INCLUDED.

INSULATION RESISTANCE: 1 GΩ MINIMUM AT 500 VDC  
 DIELECTRIC STRENGTH: 1,500 VAC RMS  
 CONTACT BOUNCE: 10ms  
 ELECTRICAL LIFE AT FULL LOAD: 500,000 CYCLES  
 MECHANICAL LIFE: 1,000,000 CYCLES  
 TOTAL TRAVEL: 1.5 (.059)  
 ACTUATION FORCE: 3 TO 6N  
 OPERATING TEMPERATURE: -30° TO 85° C  
 DEGREE OF PROTECTION: IP68, 1 HOUR @ 1 METER  
 TORQUE: 0.5N·m MAXIMUM APPLIED TO NUT

**PACKAGING:**

SWITCHES ARE BUNDLED. HARDWARE IS NOT ASSEMBLED TO THE SWITCH.

**COMPLIANCE:**

ALL MATERIALS AND FINISHES SHALL COMPLY WITH EU DIRECTIVE 2002/95/EC OF 27JAN2003(RoHS)

**SOLDER PROCESSING:**

MANUAL SOLDERING: SOLDER IRON, 30 WATTS, CONTROLLED AT 350° C, APPROXIMATELY 5 SECONDS WHILE APPLYING SOLDER.

1. HARDWARE IS SHIPPED UNASSEMBLED.

**MATERIALS:**

CAP: POLYAMIDE 6/6  
 PLUNGER: POLYAMIDE 6/6 OR POLYCARBONATE  
 RUBBER: SILICONE  
 BUSHING: POLYAMIDE 6/6  
 CASE: DIALLYL PHTHALATE (DAP) (UL94 V-0)  
 TERMINALS/CONTACTS: COPPER ALLOY, GOLD OVER SILVER PLATED  
 HEX NUT: BRASS, NICKEL PLATED (1)  
 LOCK WASHER: BRASS, NICKEL PLATED (1)  
 O-RING: SILICONE (1)  
 WIRE: UL 3385, 20 AWG, SECTION 0.6mm<sup>2</sup>  
 SPRING: STEEL  
 HEAT SHRINK TUBE: POLYOLEFIN

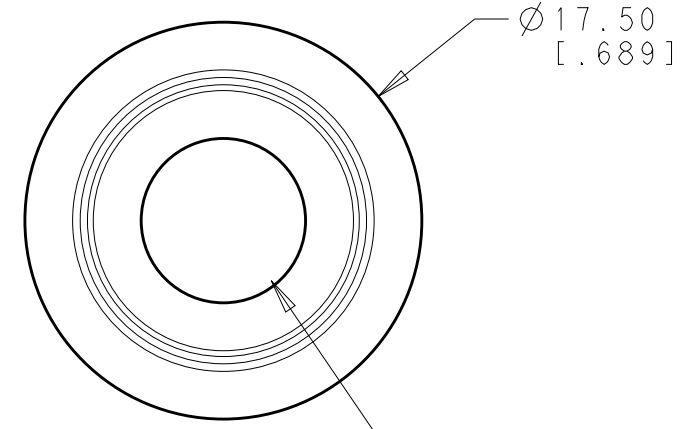
NO.	DESCRIPTION	WIRE COLOR
2	TERMINAL 2	BLACK
1	TERMINAL 1	BLACK

THIS DRAWING IS A CONTROLLED DOCUMENT.		DWN RAVLS 22FEB2018	TE Connectivity	
DIMENSIONS: mm [INCHES]		CHK ALEXANDER SHARPE 22FEB2018		
TOLERANCES UNLESS OTHERWISE SPECIFIED:		APVD ALEXANDER SHARPE 22FEB2018	NAME SWITCH, PUSHBUTTON, FLAT CAP NO LED, FLYING LEADS WITH HEAT SHRINK, SEALED, OFF-(ON) AND ON-(OFF)	
0 PLC ±		PRODUCT SPEC	SIZE   CAGE CODE   DRAWING NO	
1 PLC ±0.4 [.016]		APPLICATION SPEC	A200779   C-2329386	
2 PLC ±0.25 [.010]		WEIGHT	RESTRICTED TO	
3 PLC ±		CUSTOMER DRAWING	SCALE 3:2   SHEET 1 OF 3   REV 2	
4 PLC ±				
ANGLES ±5°				
FINISH				

THIS DRAWING IS UNPUBLISHED. RELEASED FOR PUBLICATION  
 © COPYRIGHT copyright.d8te- ALL RIGHTS RESERVED.

FLYING LEADS  
ON-(OFF)

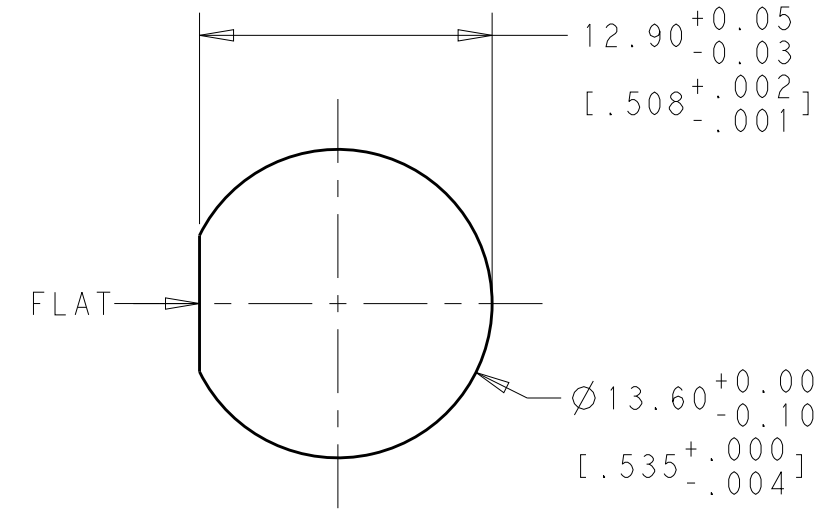
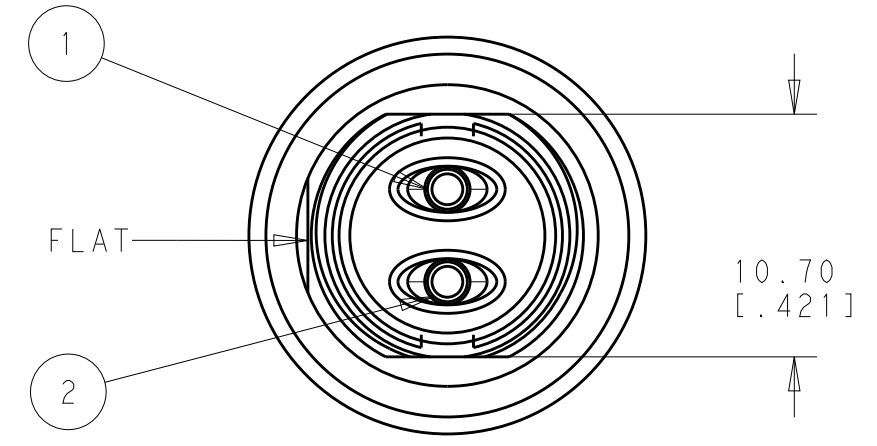
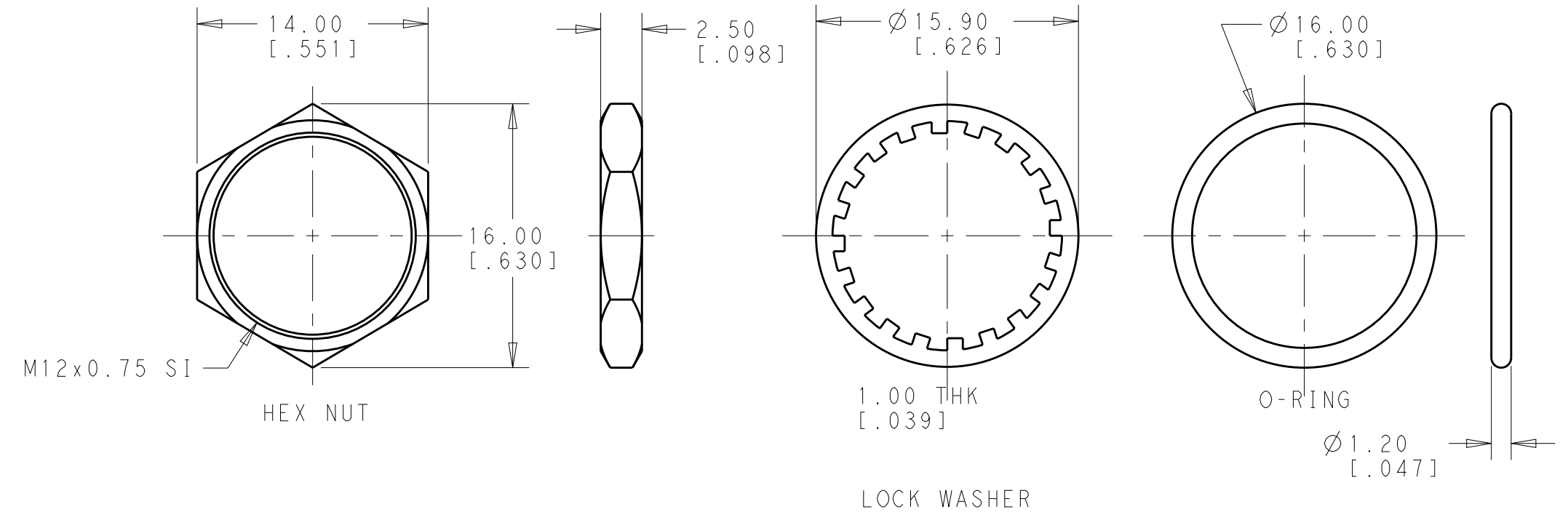
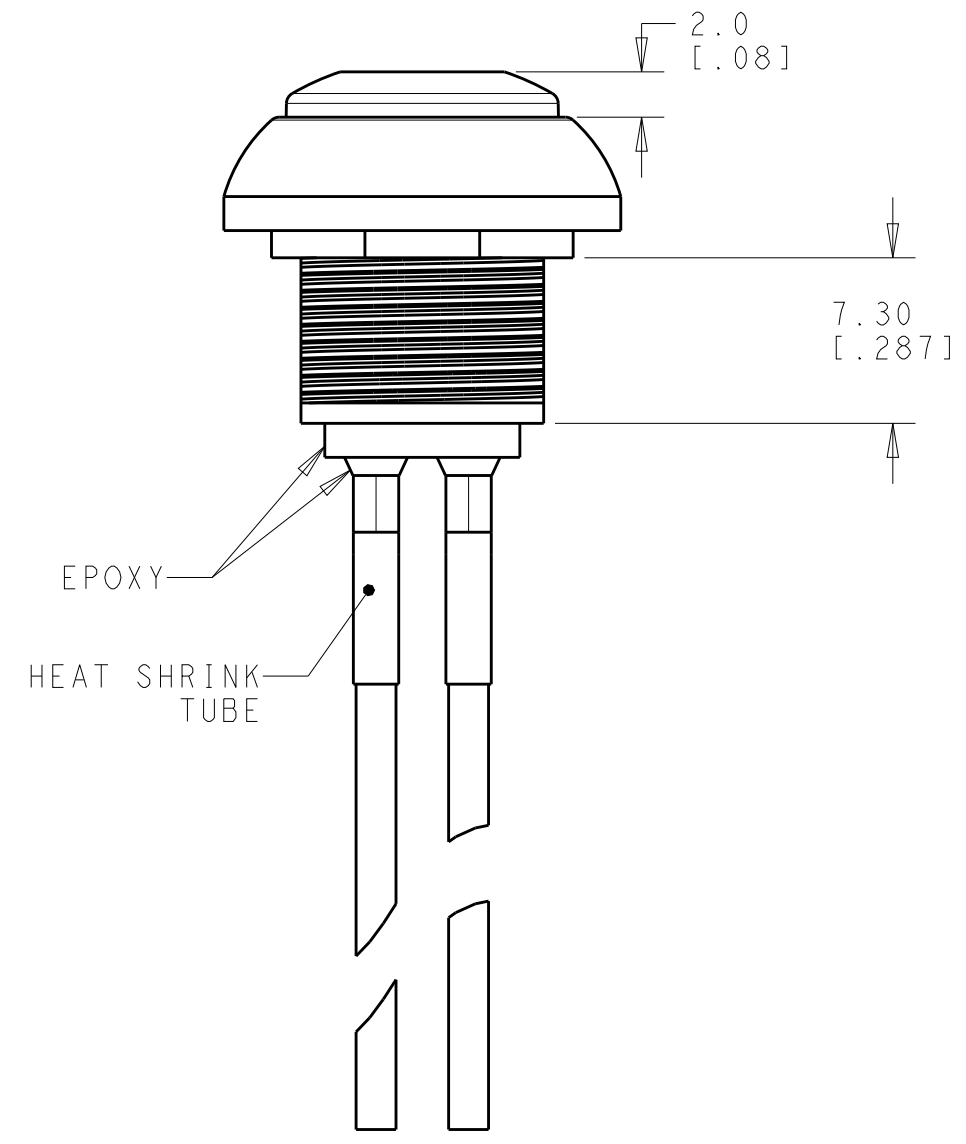
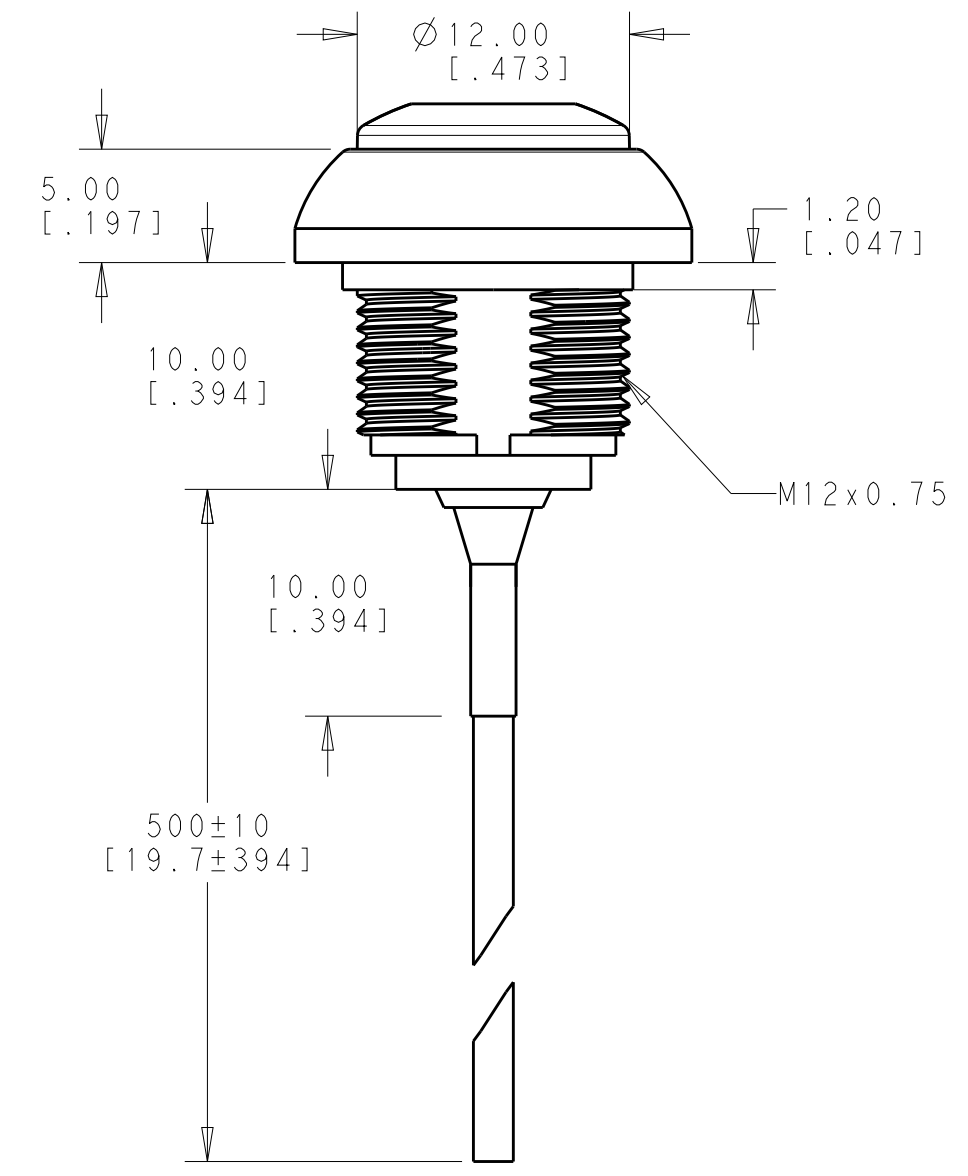
REVISIONS				
P	LTR	DESCRIPTION	DATE	APVD
-		SEE SHEET 1	-	-



CAP COLOR: SEE TABLE

Model No.	POS. 1	POS. 2
PB7	ON	MOM(OFF)
CONNECTED TERMINALS	CLOSE	OPEN
SCHEMATIC		

SWITCH FUNCTION



PANEL CUT-OUT  
THICKNESS: 1.5mm~4.0mm  
[.059~.157]

NO.	DESCRIPTION	WIRE COLOR
2	TERMINAL 2	BLACK
1	TERMINAL 1	BLACK


THIS DRAWING IS A CONTROLLED DOCUMENT.		DWN: RAVLS 22FEB2018	TE Connectivity
DIMENSIONS: mm [INCHES]		CHK: ALEXANDER SHARPE 22FEB2018	
TOLERANCES UNLESS OTHERWISE SPECIFIED:		APVD: ALEXANDER SHARPE 22FEB2018	
0 PLC ±	1 PLC ±0.4 [.016]	PRODUCT SPEC	NAME: SWITCH, PUSHBUTTON, FLAT CAP NO LED, FLYING LEADS WITH HEAT SHRINK, SEALED, OFF-(ON) AND ON-(OFF)
2 PLC ±0.25 [.010]	3 PLC ±	APPLICATION SPEC	SIZE: A2
4 PLC ±	ANGLES ±5°	WEIGHT	CAGE CODE: 200779
MATERIAL	FINISH	CUSTOMER DRAWING	DRAWING NO: C-2329386
		SCALE: 3:2	RESTRICTED TO
		SHEET: 2 OF 3	REV: 2

THIS DRAWING IS UNPUBLISHED. RELEASED FOR PUBLICATION  
 © COPYRIGHT copyright.d8te ALL RIGHTS RESERVED.

REVISIONS				
P	LTR	DESCRIPTION	DATE	APVD
-		SEE SHEET 1	-	-

POLE	THROW	TERMINAL TYPE	CAP TYPE & COLOR	LED COLOR	TE DESCRIPTIVE PART NUMBER	PART NUMBER
SINGLE POLE	ON-(OFF) MOMENTARY	FLYING LEADS WITH HEAT SHRINK TUBE	FLAT, MATTE BLUE	N/A	PB7B2FM7M1CAL00Y500	1-2329386-0
			FLAT, MATTE GREEN	N/A	PB7B2FM6M1CAL00Y500	2329386-9
			FLAT, MATTE YELLOW	N/A	PB7B2FM5M1CAL00Y500	2329386-8
			FLAT, MATTE RED	N/A	PB7B2FM3M1CAL00Y500	2329386-7
			FLAT, MATTE BLACK	N/A	PB7B2FM2M1CAL00Y500	2329386-6
	OFF-(ON) MOMENTARY		FLAT, MATTE BLUE	N/A	PB6B2FM7M1CAL00Y500	2329386-5
			FLAT, MATTE GREEN	N/A	PB6B2FM6M1CAL00Y500	2329386-4
			FLAT, MATTE YELLOW	N/A	PB6B2FM5M1CAL00Y500	2329386-3
			FLAT, MATTE RED	N/A	PB6B2FM3M1CAL00Y500	2329386-2
			FLAT, MATTE BLACK	N/A	PB6B2FM2M1CAL00Y500	2329386-1

THIS DRAWING IS A CONTROLLED DOCUMENT.

DIMENSIONS: mm [INCHES]	TOLERANCES UNLESS OTHERWISE SPECIFIED: 0 PLC ± 1 PLC ±0.4 [.016] 2 PLC ±0.25 [.010] 3 PLC ± 4 PLC ± ANGLES ±5° FINISH	DWN RAVLS 22FEB2018 CHK ALEXANDER SHARPE 22FEB2018 APVD ALEXANDER SHARPE 22FEB2018	 TE Connectivity NAME SWITCH, PUSHBUTTON, FLAT CAP NO LED, FLYING LEADS WITH HEAT SHRINK, SEALED, OFF-(ON) AND ON-(OFF) SIZE A200779 CAGE CODE C-2329386 DRAWING NO RESTRICTED TO
MATERIAL		PRODUCT SPEC APPLICATION SPEC WEIGHT	SCALE 3:2 SHEET 3 OF 3 REV 2

CUSTOMER DRAWING

## X-ON Electronics

Largest Supplier of Electrical and Electronic Components

*Click to view similar products for [Pushbutton Switches](#) category:*

*Click to view products by [TE Connectivity](#) manufacturer:*

Other Similar products are found below :

[8940K2012](#) [LW1L-M1C10V-A](#) [LW1L-M1C70-A](#) [LW2L-A1C20M-GD](#) [LW2L-M1C20M-A](#) [60324L](#) [M22-D-R-GB0/K11](#) [M7E-HRN2](#)  
[67021K512](#) [67081K512X](#) [701PB580](#) [7199K101](#) [810K12910](#) [810KSV30B](#) [MML21EA2ADK](#) [MML21KA3ABK](#) [MML23KA3AC05K-001](#)  
[MML23KW3AA01W](#) [8418K2](#) [8442K3](#) [8450K1](#) [860K11911T01A](#) [861901](#) [861K11911T01A07](#) [861K13810T00A14](#) [861K13911](#)  
[8646AB6X718UL](#) [8646ABUL](#) [9001KXRK](#) [907AYY100](#) [PMHD155A1](#) [9533CD4+U574+U4922](#) [95-414.000](#) [99-450.837](#) [99-453.837](#)  
[PV3H2B0NN-341](#) [1203MRA](#) [A22NZBGANGA](#) [A22NZBNANGA](#) [A22NZMPATRA](#) [A2PMA1X03EC56](#) [A3A-5123-02](#) [A3A-7140](#) [A3A-7310](#) [A3A-7340](#) [A3U-TMW-A2C-5M](#) [A595](#) [12037A2ULCSA](#) [ABD122N-B](#) [1211390004](#)