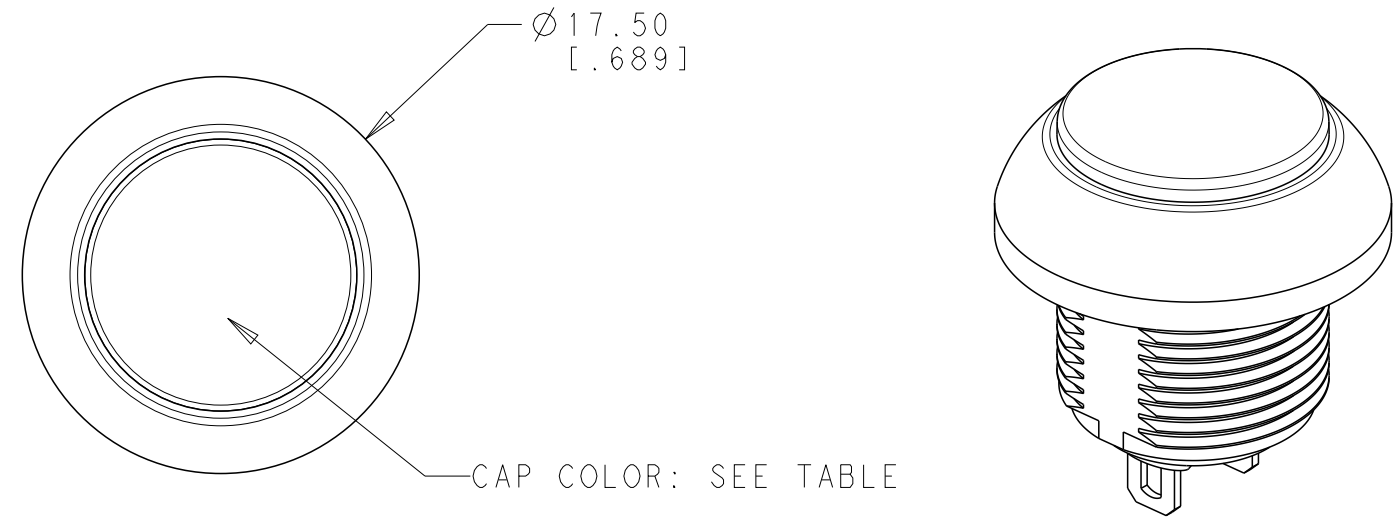


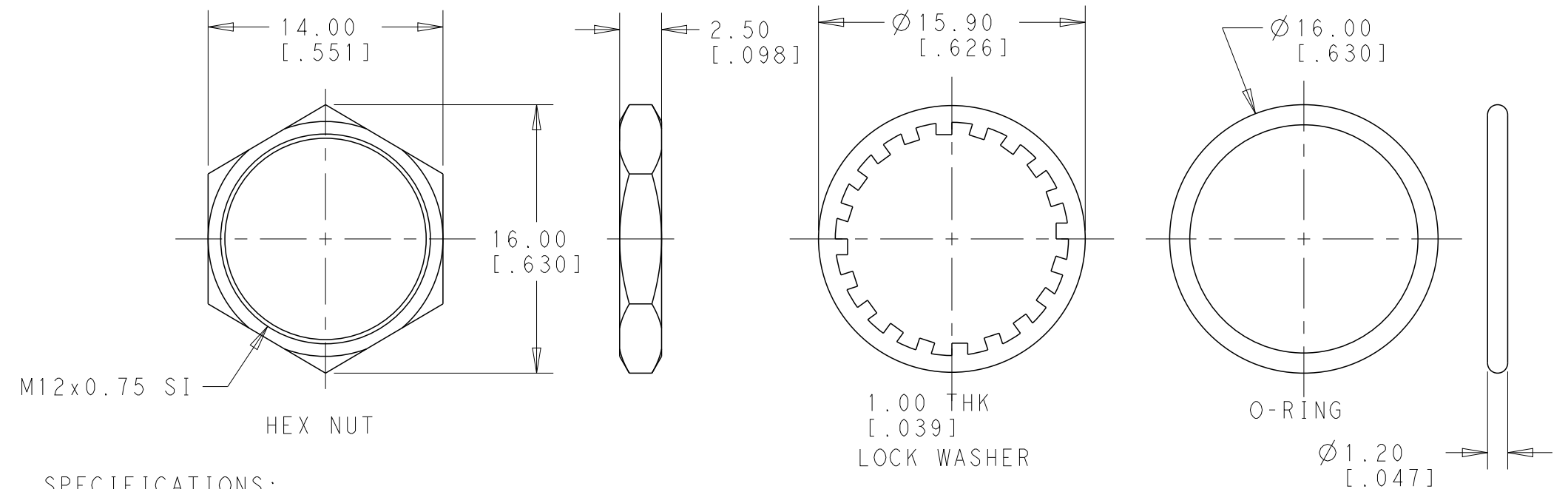
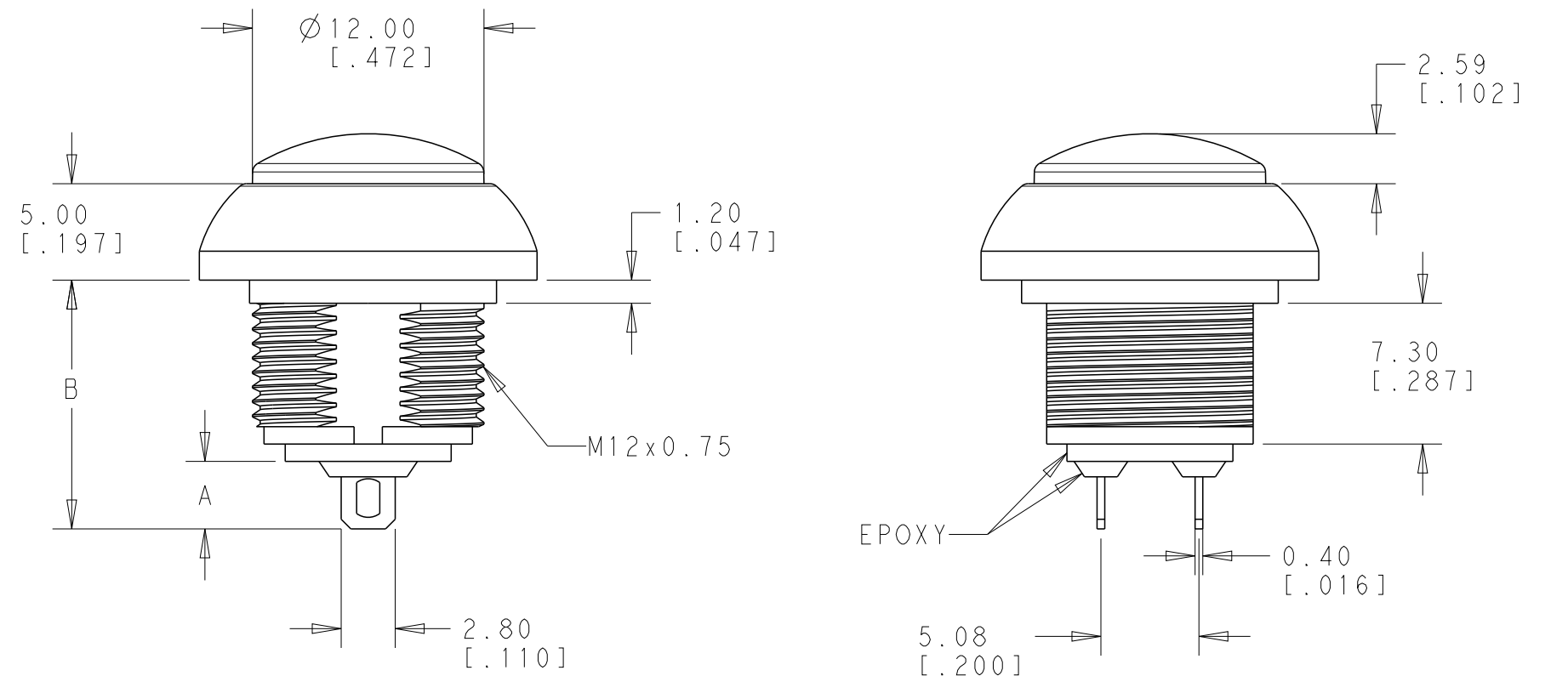
THIS DRAWING IS UNPUBLISHED. RELEASED FOR PUBLICATION  
 © COPYRIGHT copyright.d8te- ALL RIGHTS RESERVED.

REVISIONS				
P	LTR	DESCRIPTION	DATE	DWN APVD
1		NEW DRAWING	22FEB2018	RS AS



SOLDER TO WIRE  
OFF-(ON)

Model No.	POS. 1	POS. 2
	PB6	OFF
CONNECTED TERMINALS	OPEN	CLOSE
SCHEMATIC		



SWITCH FUNCTION

**SPECIFICATIONS:**  
 MAXIMUM CURRENT/VOLTAGE RATING WITH RESISTIVE LOAD:  
 400mA 32VAC, 200mA 50VDC, 125mA 125VAC

**MATERIALS:**  
 CAP: POLYAMIDE 6/6  
 PLUNGER: POLYAMIDE 6/6 OR POLYCARBONATE  
 RUBBER: SILICONE  
 BUSHING: POLYAMIDE 6/6  
 CASE: DIALLYL PHTHALATE (DAP) (UL94 V-0)  
 TERMINALS/CONTACTS: COPPER ALLOY, GOLD OVER SILVER PLATED  
 HEX NUT: BRASS, NICKEL PLATED (1)  
 LOCK WASHER: BRASS, NICKEL PLATED (1)  
 O-RING: SILICONE (1)  
 SPRING: STEEL

INITIAL CONTACT RESISTANCE: 50mΩ MAXIMUM  
 INSULATION RESISTANCE: 1 GΩ MINIMUM AT 500 VDC  
 DIELECTRIC STRENGTH: 1,500 VAC RMS  
 CONTACT BOUNCE: 10ms  
 ELECTRICAL LIFE AT FULL LOAD: 500,000 CYCLES  
 MECHANICAL LIFE: 1,000,000 CYCLES  
 TOTAL TRAVEL: 1.5 (.059)  
 ACTUATION FORCE: 3 TO 6N  
 OPERATING TEMPERATURE: -30° TO 85° C  
 DEGREE OF PROTECTION: IP68, 1 HOUR @ 1 METER  
 TORQUE: 0.5N·m MAXIMUM APPLIED TO NUT

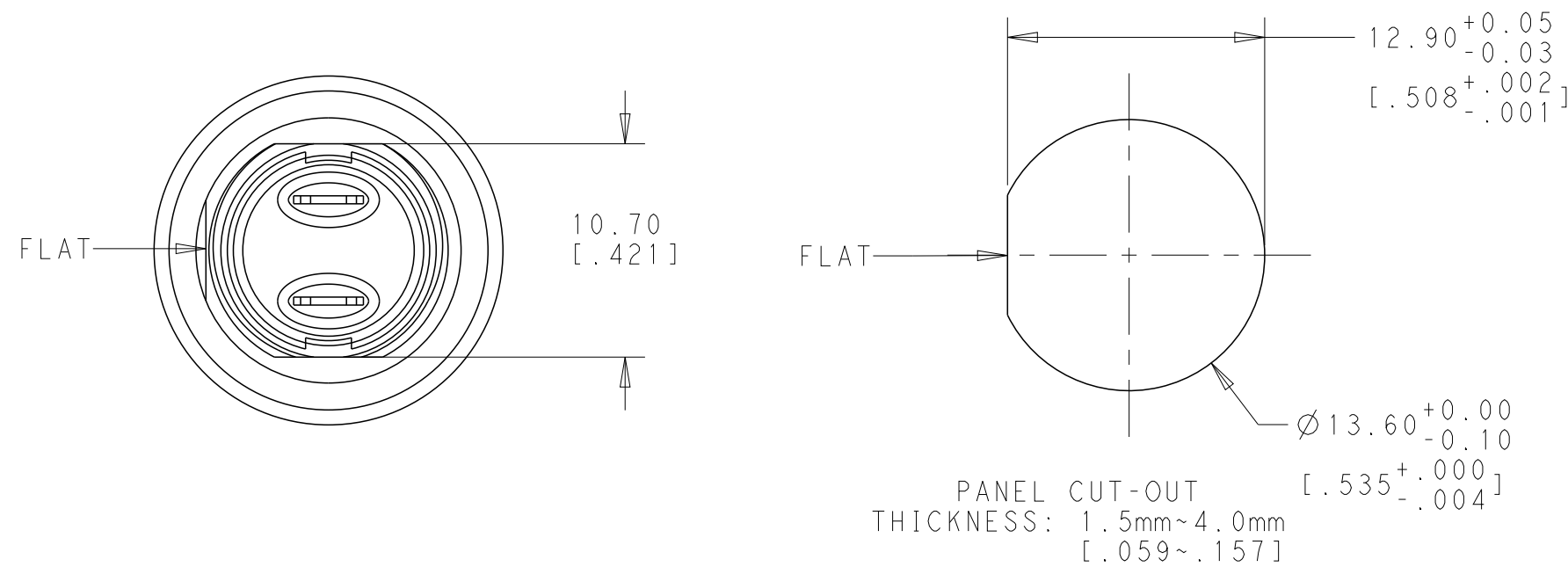
**PACKAGING:**  
 SWITCHES ARE PACKAGED IN TRAYS. HARDWARE IS NOT ASSEMBLED TO THE SWITCH.

**COMPLIANCE:**  
 ALL MATERIALS AND FINISHES SHALL COMPLY WITH EU DIRECTIVE 2002/95/EC OF 27JAN2003(RoHS)

**SOLDER PROCESSING:**  
 MANUAL SOLDERING: SOLDER IRON, 30 WATTS, CONTROLLED AT 350° C, APPROXIMATELY 5 SECONDS WHILE APPLYING SOLDER.

**WAVE SOLDERING:**  
 260+/-5° C, 5 SECONDS MAXIMUM DURATION, PCB THICKNESS 1.6MM  
 110°C MAXIMUM AMBIENT TEMPERATURE OF THE SOLDER SURFACE OF THE PC BOARD.

1. HARDWARE IS SHIPPED UNASSEMBLED.

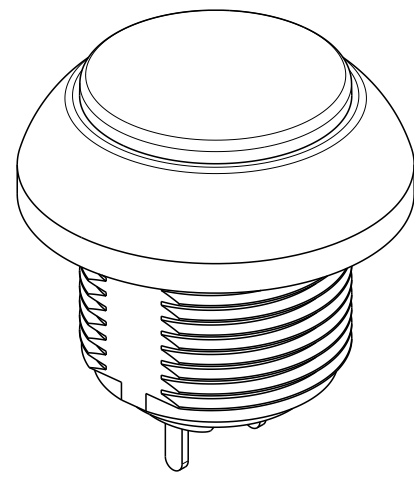
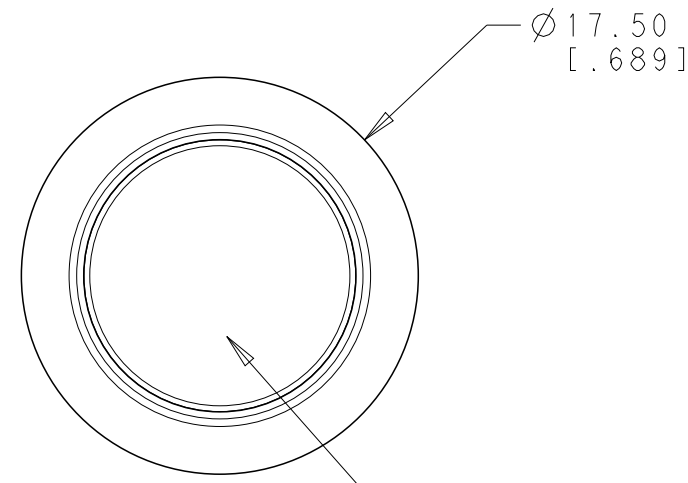


THIS DRAWING IS A CONTROLLED DOCUMENT.		DWN RAVLS 22FEB2018	TE Connectivity															
DIMENSIONS: mm [INCHES]		CHK ALEXANDER SHARPE 22FEB2018																
TOLERANCES UNLESS OTHERWISE SPECIFIED:		APVD ALEXANDER SHARPE 22FEB2018	NAME SWITCH, PUSHBUTTON, ROUND CAP NO LED, SOLDER TERMINATION, SEALED, OFF-(ON) AND ON-(OFF)															
<table border="1"> <tr><td>0 PLC</td><td>±</td></tr> <tr><td>1 PLC</td><td>±0.4 [0.016]</td></tr> <tr><td>2 PLC</td><td>±0.25 [0.010]</td></tr> <tr><td>3 PLC</td><td>±</td></tr> <tr><td>4 PLC</td><td>±</td></tr> <tr><td>ANGLES</td><td>±5°</td></tr> <tr><td>FINISH</td><td>-</td></tr> </table>		0 PLC	±	1 PLC	±0.4 [0.016]	2 PLC	±0.25 [0.010]	3 PLC	±	4 PLC	±	ANGLES	±5°	FINISH	-	PRODUCT SPEC -	SIZE A200779	DRAWING NO C-2329360
0 PLC	±																	
1 PLC	±0.4 [0.016]																	
2 PLC	±0.25 [0.010]																	
3 PLC	±																	
4 PLC	±																	
ANGLES	±5°																	
FINISH	-																	
MATERIAL -		APPLICATION SPEC -	WEIGHT -	RESTRICTED TO														
		CUSTOMER DRAWING	SCALE 4:1	SHEET 1 OF 4														
				REV 1														

THIS DRAWING IS UNPUBLISHED. RELEASED FOR PUBLICATION  
 © COPYRIGHT copyright.d8te- ALL RIGHTS RESERVED.

REVISIONS				
P	LTR	DESCRIPTION	DATE	APVD
-	-	SEE SHEET 1	-	-

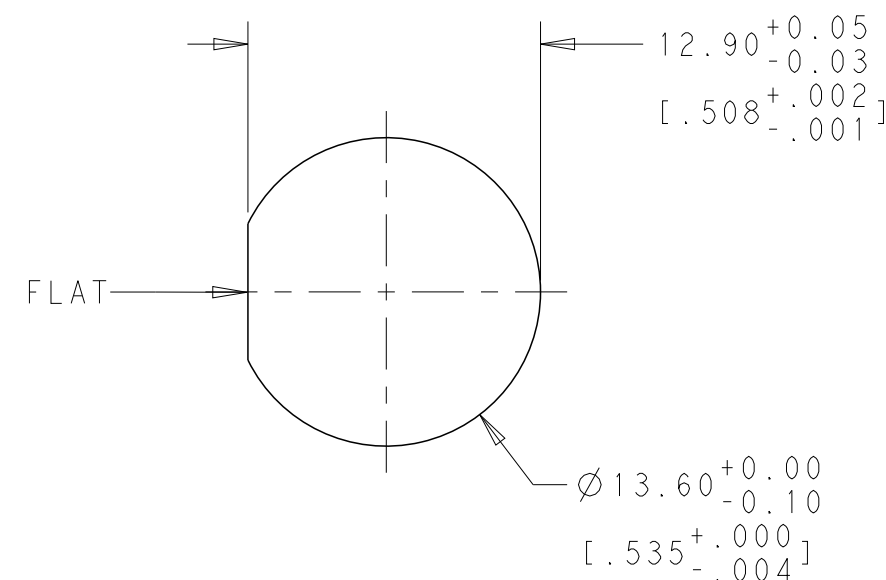
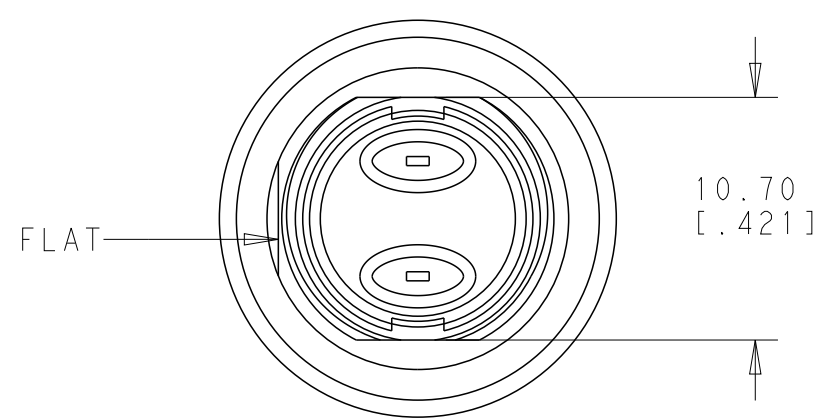
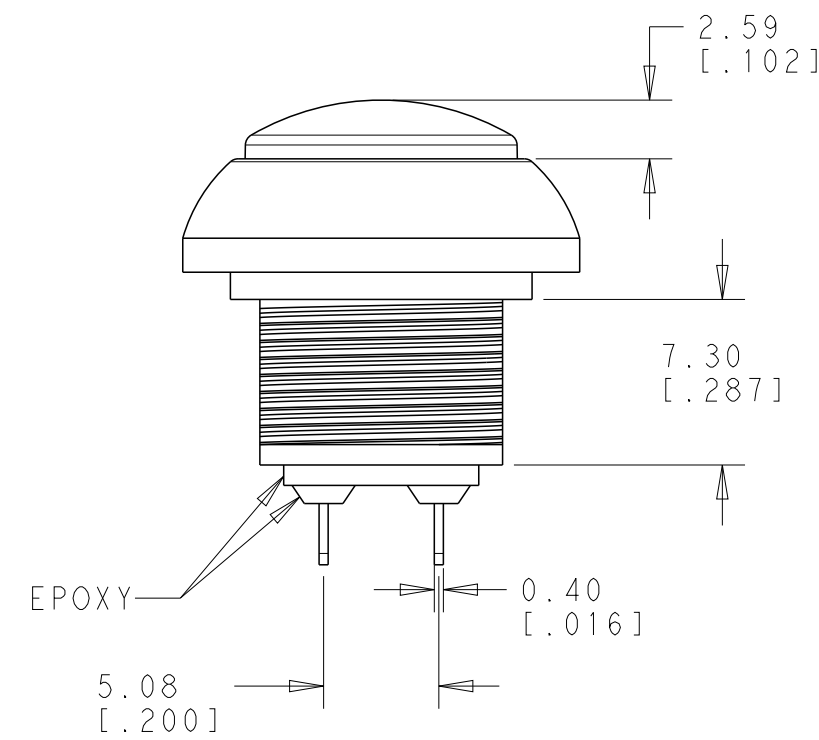
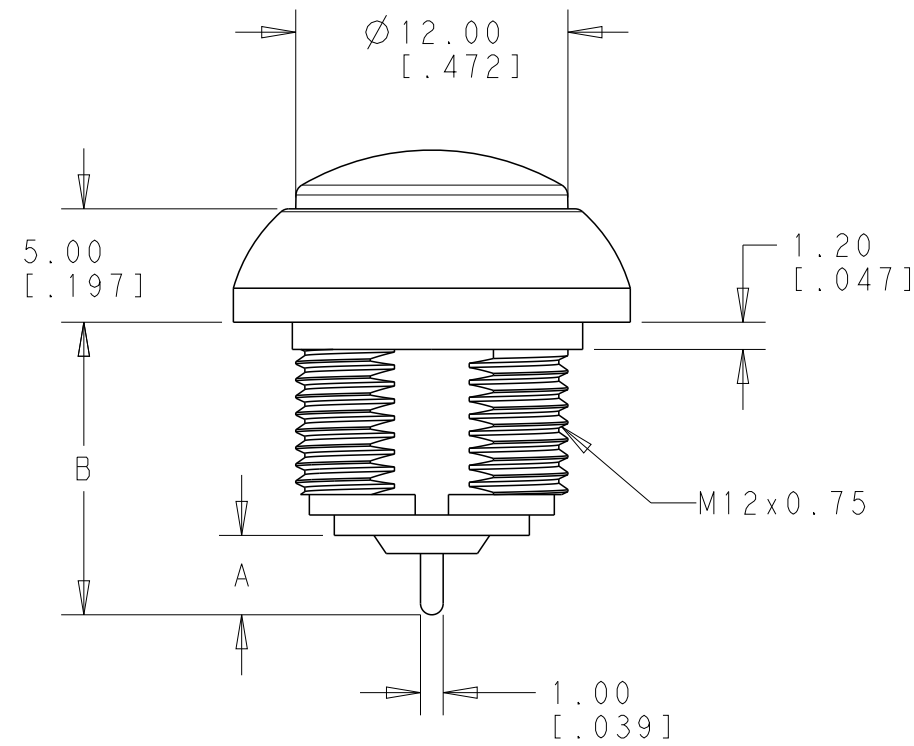
SOLDER TO PCB  
OFF - (ON)



CAP COLOR: SEE TABLE

Model No.	POS. 1	POS. 2
PB6	OFF	MOM (ON)
CONNECTED TERMINALS	OPEN	CLOSE
SCHEMATIC		

SWITCH FUNCTION



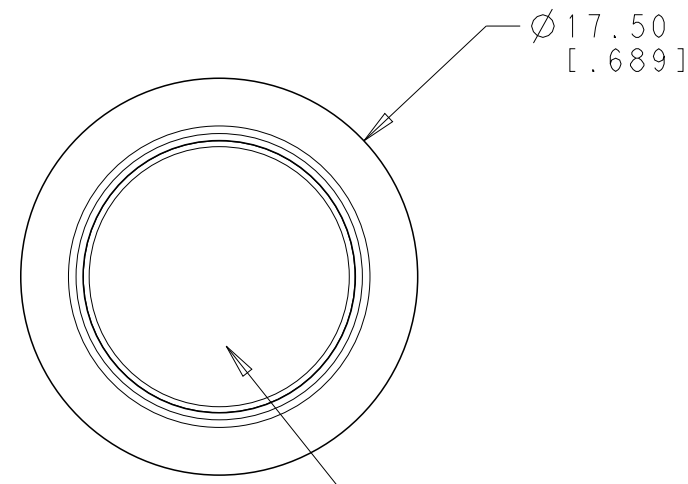
PANEL CUT-OUT  
THICKNESS: 1.5mm~4.0mm  
[.059~.157]

THIS DRAWING IS A CONTROLLED DOCUMENT.		DWN RAVLS 22FEB2018	TE Connectivity	
DIMENSIONS: mm [INCHES]		CHK ALEXANDER SHARPE 22FEB2018		
TOLERANCES UNLESS OTHERWISE SPECIFIED:		APVD ALEXANDER SHARPE 22FEB2018	NAME SWITCH, PUSHBUTTON, ROUND CAP NO LED, SOLDER TERMINATION, SEALED, OFF-(ON) AND ON-(OFF)	
0 PLC ±		PRODUCT SPEC	SIZE	
1 PLC ±0.4 [.016]		APPLICATION SPEC	CAGE CODE	
2 PLC ±0.25 [.010]		WEIGHT	DRAWING NO	
3 PLC ±		CUSTOMER DRAWING	RESTRICTED TO	
4 PLC ±		SCALE 4:1	SHEET 2 OF 4	
ANGLES ±5°		REV 1		
FINISH		A200779 C-2329360		

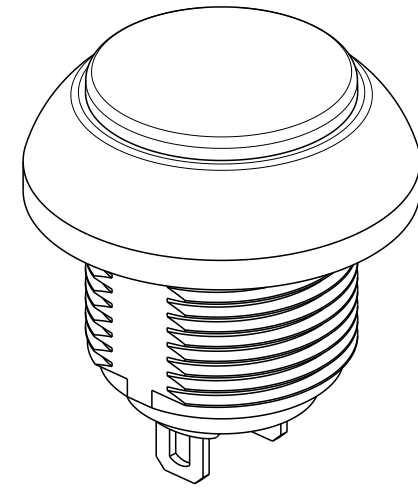
THIS DRAWING IS UNPUBLISHED. RELEASED FOR PUBLICATION  
 © COPYRIGHT copyright.d8te- ALL RIGHTS RESERVED.

REVISIONS				
P	LTR	DESCRIPTION	DATE	APVD
-	-	SEE SHEET 1	-	-

SOLDER TO WIRE  
ON-(OFF)

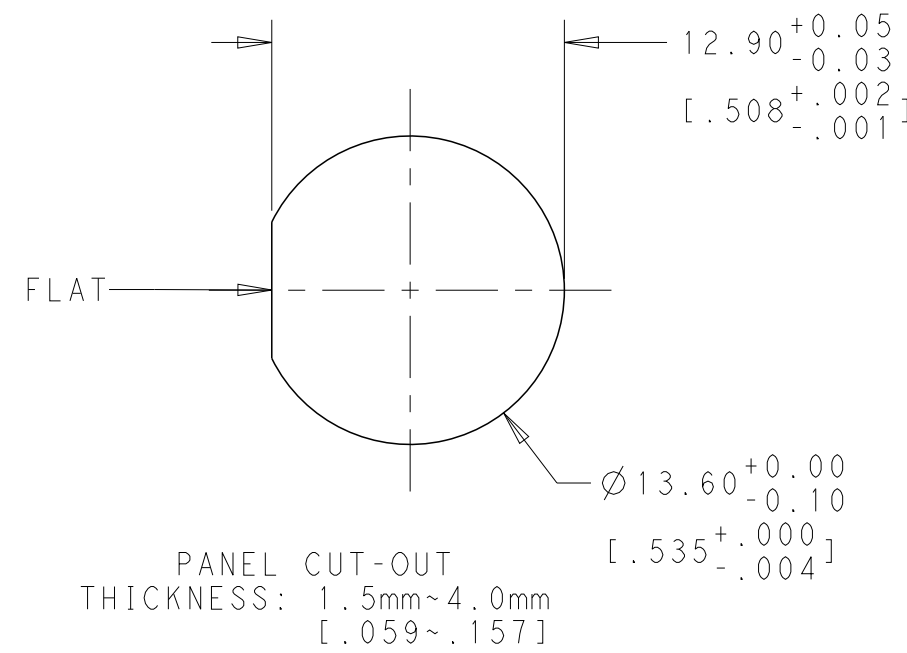
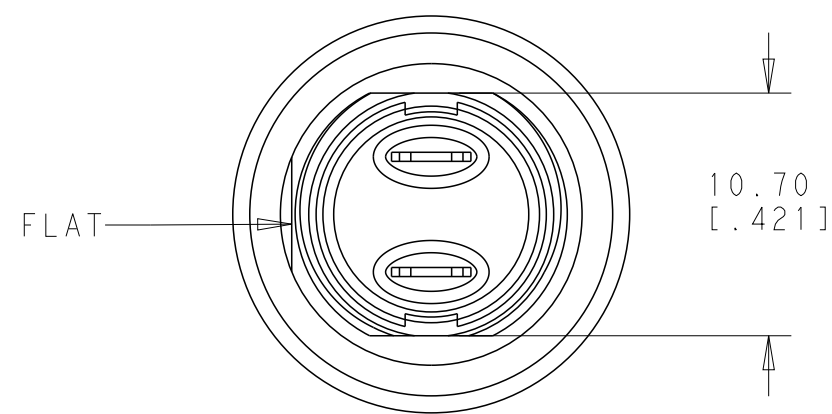
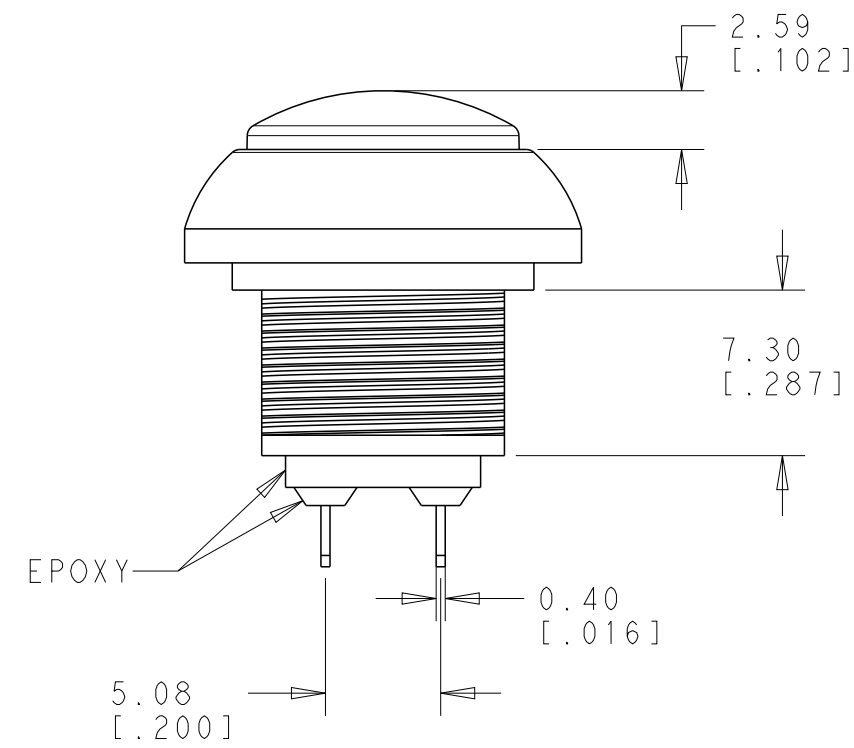
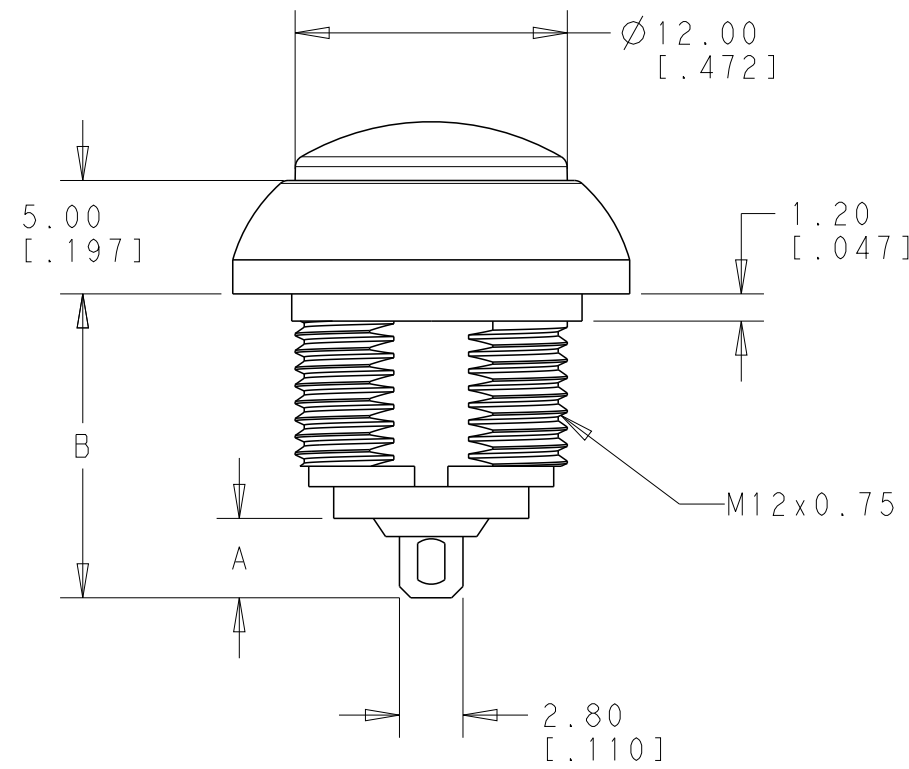


CAP COLOR: SEE TABLE



Model No.	POS. 1	POS. 2
PB7	ON	MOM(OFF)
CONNECTED TERMINALS	CLOSE	OPEN
SCHEMATIC		

SWITCH FUNCTION



THIS DRAWING IS A CONTROLLED DOCUMENT.		DWN RAVLS 22FEB2018	TE Connectivity	
DIMENSIONS: mm [INCHES]		CHK ALEXANDER SHARPE 22FEB2018		
TOLERANCES UNLESS OTHERWISE SPECIFIED:		APVD ALEXANDER SHARPE 22FEB2018	NAME SWITCH, PUSHBUTTON, ROUND CAP NO LED, SOLDER TERMINATION, SEALED, OFF-(ON) AND ON-(OFF)	
0 PLC ±		PRODUCT SPEC	SIZE	
1 PLC ±0.4 [0.016]		APPLICATION SPEC	CAGE CODE	
2 PLC ±0.25 [0.010]		WEIGHT	DRAWING NO	
3 PLC ±		CUSTOMER DRAWING	RESTRICTED TO	
4 PLC ±		SCALE 4:1	SHEET 3 OF 4	
ANGLES ±5°		REV 1		
FINISH		A200779 C-2329360		

THIS DRAWING IS UNPUBLISHED. RELEASED FOR PUBLICATION  
 © COPYRIGHT copyright.dBTe ALL RIGHTS RESERVED.

REVISIONS				
P	LTR	DESCRIPTION	DATE	APVD
-	-	SEE SHEET 1	-	-

POLE	THROW	DIMENSION B	DIMENSION A, TERMINAL TYPE	CAP TYPE & COLOR	LED COLOR	TE DESCRIPTIVE PART NUMBER	PART NUMBER
SINGLE POLE	ON-(OFF) MOMENTARY	13.40 [.527]	3.40 [.134] SOLDER LUG	ROUND, SHINY BLUE	N/A	PB7B2RS7M1CAL00	2-2329360-5
				ROUND, SHINY GREEN	N/A	PB7B2RS6M1CAL00	2-2329360-4
				ROUND, SHINY YELLOW	N/A	PB7B2RS5M1CAL00	2-2329360-3
				ROUND, SHINY RED	N/A	PB7B2RS3M1CAL00	2-2329360-2
				ROUND, SHINY BLACK	N/A	PB7B2RS2M1CAL00	2-2329360-1
	OFF-(ON) MOMENTARY	12.90 [.508]	3.50 [.138] SOLDER POST	ROUND, SHINY BLUE	N/A	PB6B2RS7M4CAL00	2-2329360-0
				ROUND, SHINY GREEN	N/A	PB6B2RS6M4CAL00	1-2329360-9
				ROUND, SHINY YELLOW	N/A	PB6B2RS5M4CAL00	1-2329360-8
				ROUND, SHINY RED	N/A	PB6B2RS3M4CAL00	1-2329360-7
				ROUND, SHINY BLACK	N/A	PB6B2RS2M4CAL00	1-2329360-6
		17.60 [.693]	8.20 [.323] SOLDER LUG	ROUND, SHINY BLUE	N/A	PB6B2RS7M3CAL00	1-2329360-5
				ROUND, SHINY GREEN	N/A	PB6B2RS6M3CAL00	1-2329360-4
				ROUND, SHINY YELLOW	N/A	PB6B2RS5M3CAL00	1-2329360-3
				ROUND, SHINY RED	N/A	PB6B2RS3M3CAL00	1-2329360-2
				ROUND, SHINY BLACK	N/A	PB6B2RS2M3CAL00	1-2329360-1
		14.90 [.587]	5.50 [.217] SOLDER LUG	ROUND, SHINY BLUE	N/A	PB6B2RS7M2CAL00	1-2329360-0
				ROUND, SHINY GREEN	N/A	PB6B2RS6M2CAL00	2329360-9
				ROUND, SHINY YELLOW	N/A	PB6B2RS5M2CAL00	2329360-8
				ROUND, SHINY RED	N/A	PB6B2RS3M2CAL00	2329360-7
				ROUND, SHINY BLACK	N/A	PB6B2RS2M2CAL00	2329360-6
12.90 [.508]	3.50 [.138] SOLDER LUG	ROUND, SHINY BLUE	N/A	PB6B2RS7M1CAL00	2329360-5		
		ROUND, SHINY GREEN	N/A	PB6B2RS6M1CAL00	2329360-4		
		ROUND, SHINY YELLOW	N/A	PB6B2RS5M1CAL00	2329360-3		
		ROUND, SHINY RED	N/A	PB6B2RS3M1CAL00	2329360-2		
		ROUND, SHINY BLACK	N/A	PB6B2RS2M1CAL00	2329360-1		

THIS DRAWING IS A CONTROLLED DOCUMENT.

DWN RAVLS 22FEB2018  
 CHK ALEXANDER SHARPE 22FEB2018  
 APVD ALEXANDER SHARPE 22FEB2018

**STE** TE Connectivity

NAME SWITCH, PUSHBUTTON, ROUND CAP NO LED, SOLDER TERMINATION, SEALED, OFF-(ON) AND ON-(OFF)

PRODUCT SPEC -  
 APPLICATION SPEC -  
 WEIGHT -

SIZE A2 CAGE CODE 00779 DRAWING NO C-2329360 RESTRICTED TO

MATERIAL - FINISH -

CUSTOMER DRAWING SCALE 4:1 SHEET 4 OF 4 REV 1

## X-ON Electronics

Largest Supplier of Electrical and Electronic Components

*Click to view similar products for [Pushbutton Switches](#) category:*

*Click to view products by [TE Connectivity](#) manufacturer:*

Other Similar products are found below :

[8940K2012](#) [LW1L-M1C10V-A](#) [LW1L-M1C70-A](#) [LW2L-A1C20M-GD](#) [LW2L-M1C20M-A](#) [60324L](#) [M22-D-R-GB0/K11](#) [M7E-HRN2](#)  
[67021K512](#) [67081K512X](#) [701PB580](#) [7199K101](#) [810K12910](#) [810KSV30B](#) [MML21EA2ADK](#) [MML21KA3ABK](#) [MML23KA3AC05K-001](#)  
[MML23KW3AA01W](#) [8418K2](#) [8442K3](#) [8450K1](#) [860K11911T01A](#) [861901](#) [861K11911T01A07](#) [861K13810T00A14](#) [861K13911](#)  
[8646AB6X718UL](#) [8646ABUL](#) [9001KXRK](#) [907AYY100](#) [PMHD155A1](#) [9533CD4+U574+U4922](#) [95-414.000](#) [99-450.837](#) [99-453.837](#)  
[PV3H2B0NN-341](#) [1203MRA](#) [A22NZBGANGA](#) [A22NZBNANGA](#) [A22NZMPATRA](#) [A2PMA1X03EC56](#) [A3A-5123-02](#) [A3A-7140](#) [A3A-7310](#) [A3A-7340](#) [A3U-TMW-A2C-5M](#) [A595](#) [12037A2ULCSA](#) [ABD122N-B](#) [1211390004](#)