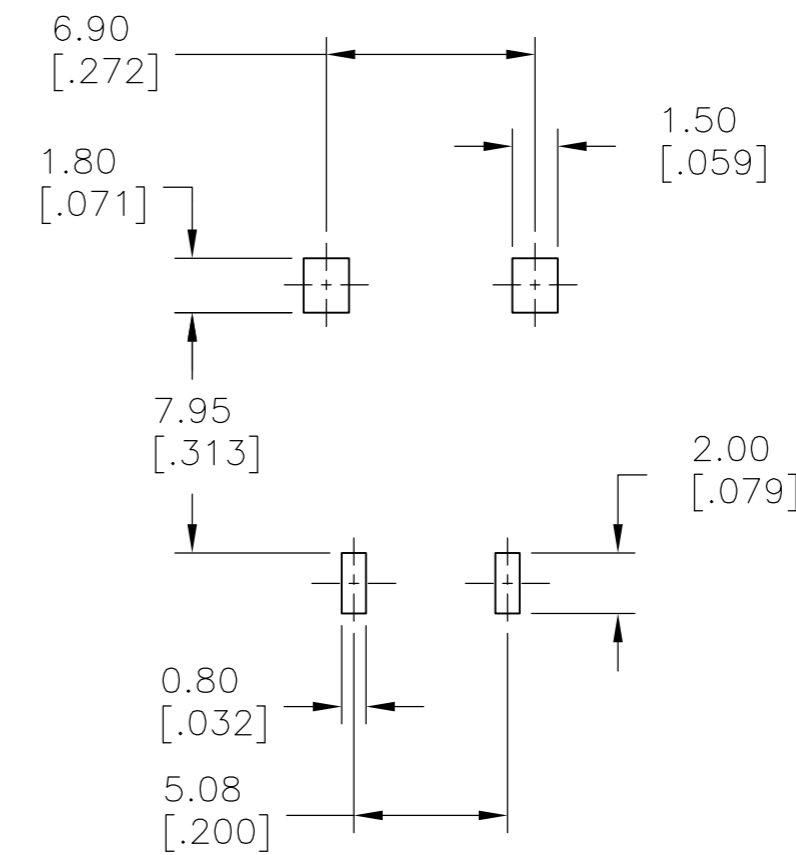
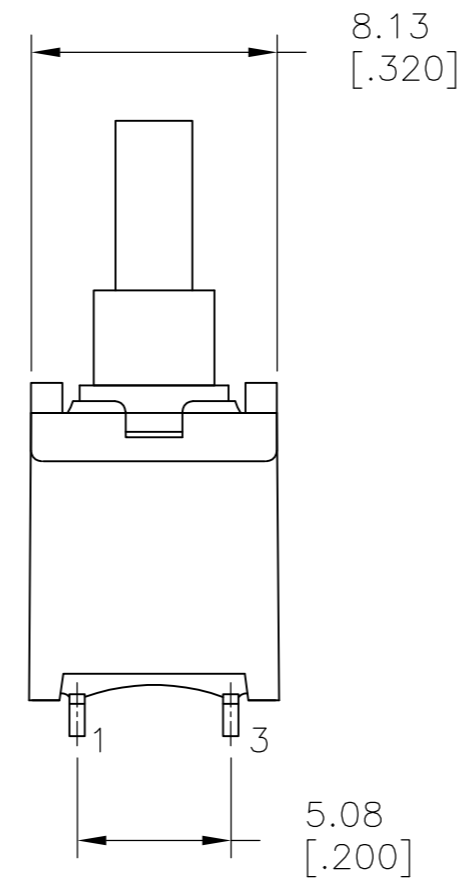
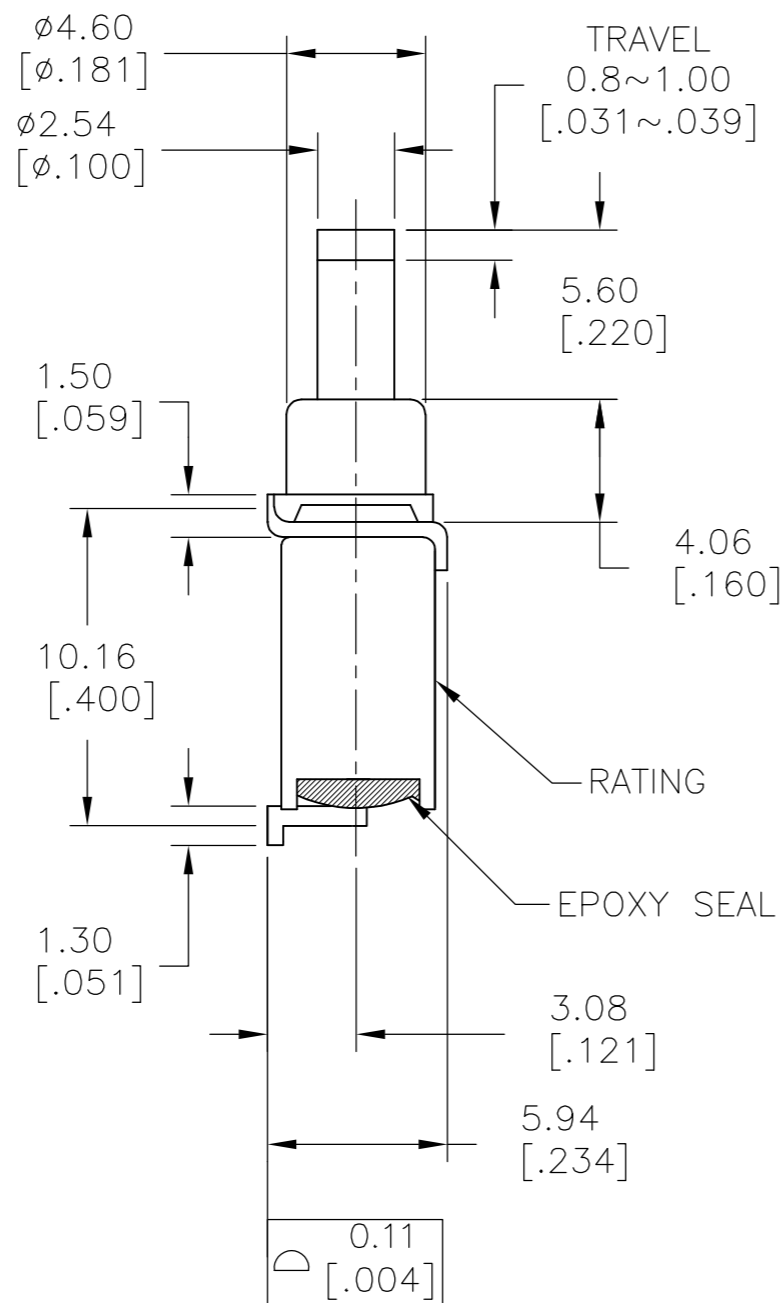
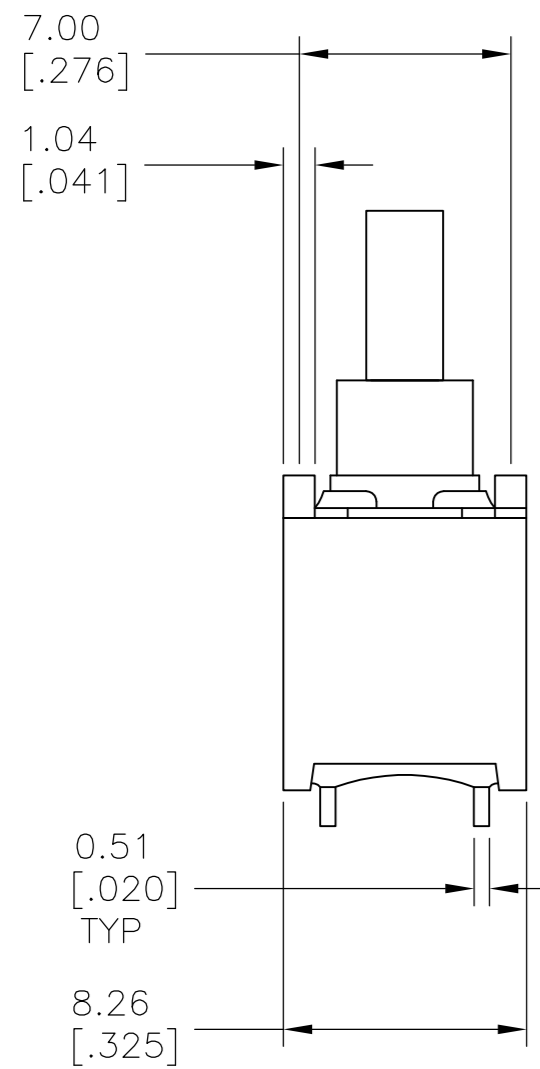


THIS DRAWING IS UNPUBLISHED. RELEASED FOR PUBLICATION  
 © COPYRIGHT - By - ALL RIGHTS RESERVED.

REVISIONS					
P	LTR	DESCRIPTION	DATE	DWN	APVD
A1		REVISED PER ECR-16-011788	22AUG2016	RS	SS

SPECIFICATIONS

MECHANICAL LIFE: 50,000 MAKE AND BREAK CYCLES.  
 CONTACT RESISTANCE: 20 mΩ MAX. INITIAL @ 2-4VDC  
 100mA FOR GOLD PLATED CONTACTS.  
 INSULATION RESISTANCE: 1,000 MΩ MIN.  
 DIELECTRIC STRENGTH: 1,000V RMS MIN @SEA LEVEL.  
 OPERATING TEMPERATURE: -30°C TO 85°C.  
 CONTACT RATING: 0.4VA MAX @ 20V MAX (AC OR DC)  
 SEALED PER IP67.



P.C. MOUNTING

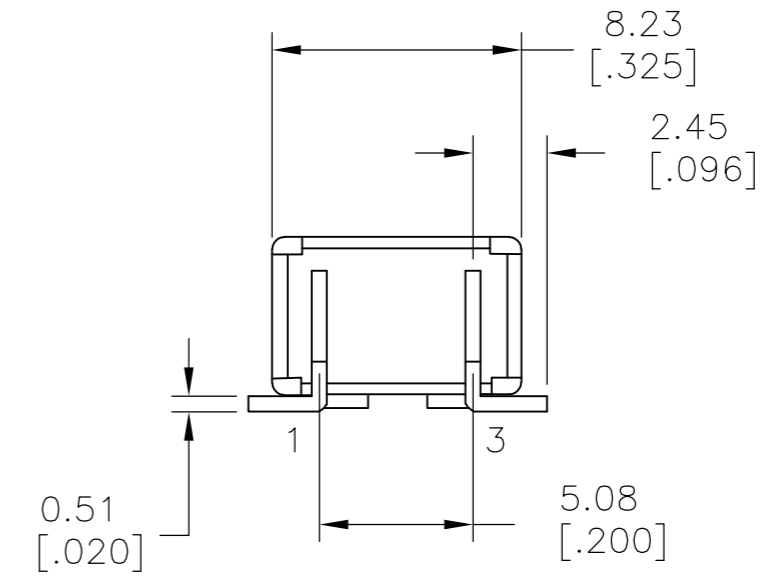
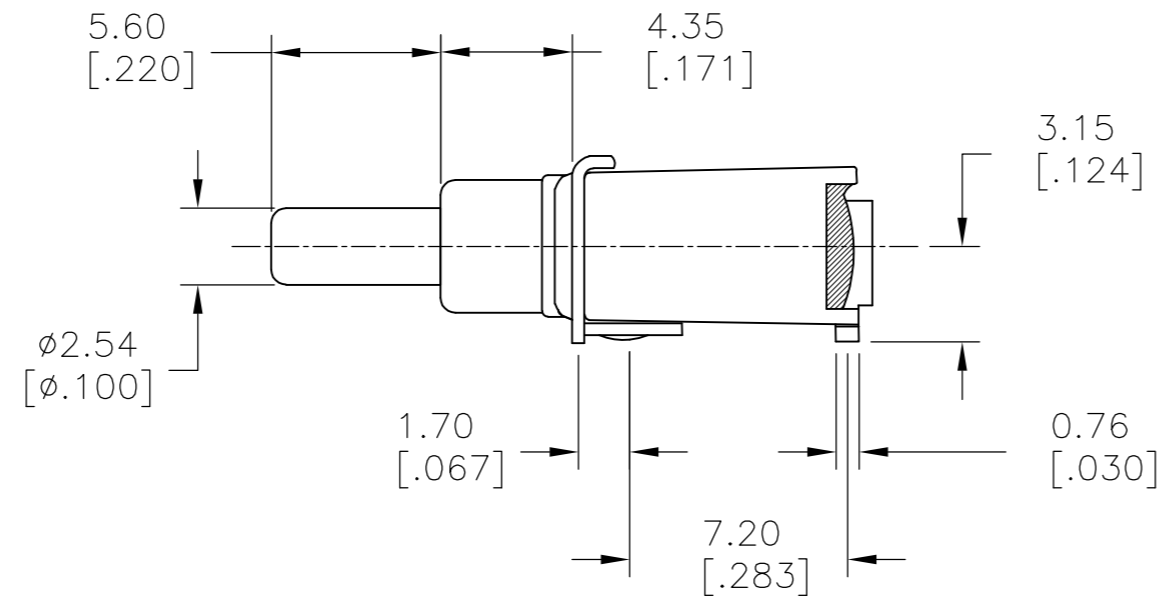
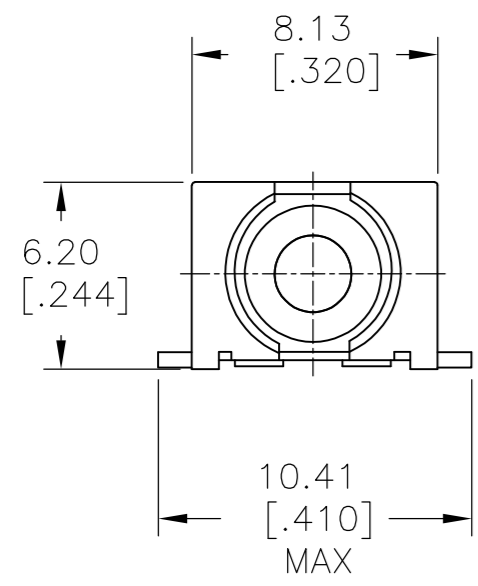
VERTICAL LAYOUT

VERTICAL, SMT	1-3	-	OFF-(ON)	1	1	PBS9MZRES	2267130-4
RIGHT ANGLE, SMT	1-3	-	OFF-(ON)	1	1	PBS9MTRES	2267130-3
VERTICAL, SMT	2-3	2-1	ON-(ON)	1	1	PBS8MZRES	2267130-2
RIGHT ANGLE, SMT	2-3	2-1	ON-(ON)	1	1	PBS8MTRES	2267130-1
TERMINATION	POS 2	POS 1	FUNCTION	THROWS	POLES	TE DESCRIPTIVE PART NUMBER	TE PART NUMBER

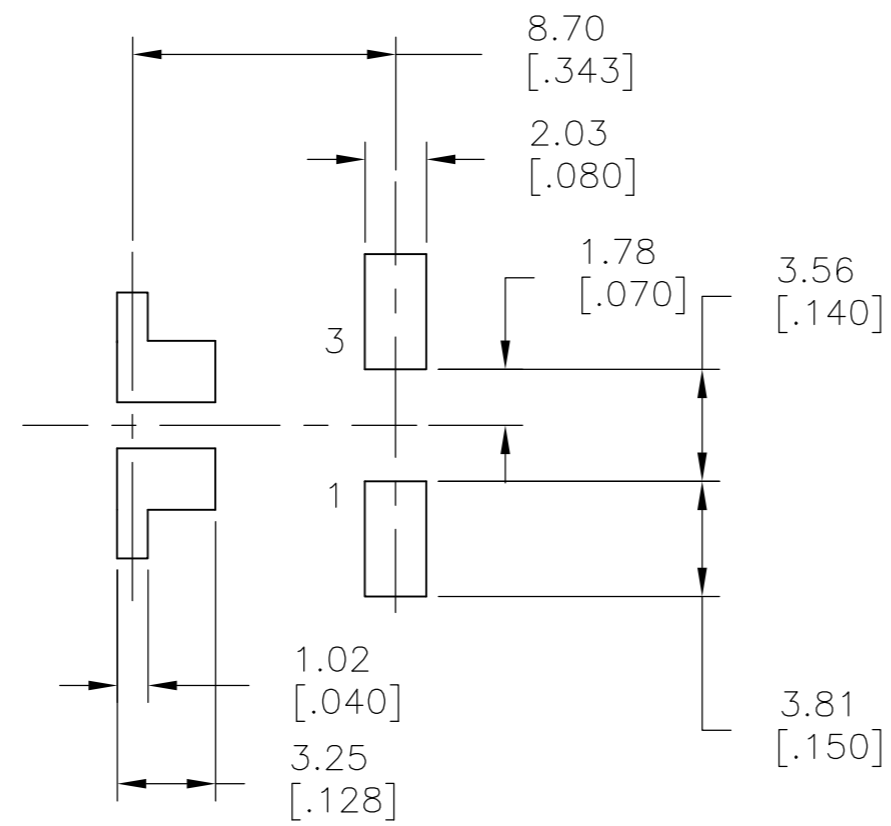
THIS DRAWING IS A CONTROLLED DOCUMENT.		DWN NAGALAKSHMI K 20JUN2014														
DIMENSIONS: mm [INCHES]		CHK HILL RYAN 20JUN2014														
TOLERANCES UNLESS OTHERWISE SPECIFIED:		APVD HILL RYAN 20JUN2014	NAME SUBMINIATURE PUSHBUTTON SWITCH, SEALED, SMT													
<table border="1"> <tr><td>0 PLC</td><td>± -</td></tr> <tr><td>1 PLC</td><td>± 0.40[.015]</td></tr> <tr><td>2 PLC</td><td>± 0.25[.010]</td></tr> <tr><td>3 PLC</td><td>± -</td></tr> <tr><td>4 PLC</td><td>± -</td></tr> <tr><td>ANGLES</td><td>± 5°</td></tr> </table>		0 PLC	± -	1 PLC	± 0.40[.015]	2 PLC	± 0.25[.010]	3 PLC	± -	4 PLC	± -	ANGLES	± 5°	PRODUCT SPEC APPLICATION SPEC	SIZE A2	
0 PLC	± -															
1 PLC	± 0.40[.015]															
2 PLC	± 0.25[.010]															
3 PLC	± -															
4 PLC	± -															
ANGLES	± 5°															
MATERIAL		WEIGHT	CAGE CODE -	DRAWING NO C=2267130												
FINISH		CUSTOMER DRAWING	SCALE 1:1	SHEET 1 OF 2												
			RESTRICTED TO -	REV A1												

THIS DRAWING IS UNPUBLISHED. RELEASED FOR PUBLICATION  
 © COPYRIGHT - By - ALL RIGHTS RESERVED.

REVISIONS					
P	LTR	DESCRIPTION	DATE	DWN	APVD
-	-	SEE SHEET 1	-	-	-



**RIGHT ANGLE LAYOUT**



**P.C. MOUNTING**

THIS DRAWING IS A CONTROLLED DOCUMENT.		DWN NAGALAKSHMI K 20JUN2014				
DIMENSIONS: mm [INCHES]		CHK HILL RYAN 20JUN2014				
TOLERANCES UNLESS OTHERWISE SPECIFIED:		APVD HILL RYAN 20JUN2014	NAME SUBMINIATURE PUSHBUTTON SWITCH, SEALED, SMT			
0 PLC ± - 1 PLC ± 0.40[.015] 2 PLC ± 0.25[.010] 3 PLC ± - 4 PLC ± - ANGLES ± 5°		PRODUCT SPEC -	SIZE A2	CAGE CODE -	DRAWING NO C=2267130	RESTRICTED TO -
MATERIAL		FINISH	WEIGHT -	SCALE 1:1	SHEET 2 OF 2	REV A1
CUSTOMER DRAWING						

## X-ON Electronics

Largest Supplier of Electrical and Electronic Components

*Click to view similar products for [TE Connectivity](#) manufacturer:*

Other Similar products are found below :

[D38999/24FJ4AN](#) [570416-000](#) [CLTEQ-M81CE-SSRELAY-4-20V](#) [4-1195131-0](#) [650069-000](#) [SMD100-2](#) [358838-000](#) [CB-1022B-78](#)  
[RM707012](#) [RP410012](#) [MMS42](#) [1-640426-8](#) [2EDL4CM](#) [DTS20W19-11PD-3028-LC](#) [RM202615](#) [NC6-P104-06](#) [MSPS103B](#) [DTS26F21-](#)  
[41HE-LC](#) [DTS26F21-41AE](#) [DTS26F21-41PE-LC](#) [DTS26F21-11SE-3028-LC](#) [30DCB6](#) [1932144-1](#) [293545-4](#) [LVR125S](#) [MS27466T25F4PB](#)  
[CKB-38-78010](#) [TR04AI-TINELLOCKRING](#) [1206SFF150F/63-2](#) [D38999/20JB35HA](#) [TE1500A2R2J](#) [D38999/20WC8BB](#) [DTS24F19-11SC-](#)  
[3028-LC](#) [D38999/24WG11HA](#) [D38999/24WG11HN](#) [MS27467T21F11H](#) [DJT16E21-11HA](#) [MS27467T21F35J](#) [MS27467T21F11J](#)  
[MS27467T21F16H-LC](#) [MS27467T21F35H](#) [MS27467T21F41H-LC](#) [1206SFH150F/24-2](#) [RP330024](#) [DJT16E21-11PA-LC](#) [DJT16E21-11HA-](#)  
[LC](#) [DJT16E21-11AA](#) [MS27467T21B11JA](#) [DJT16E21-11JA](#) [MS27467T21B11JA-LC](#)