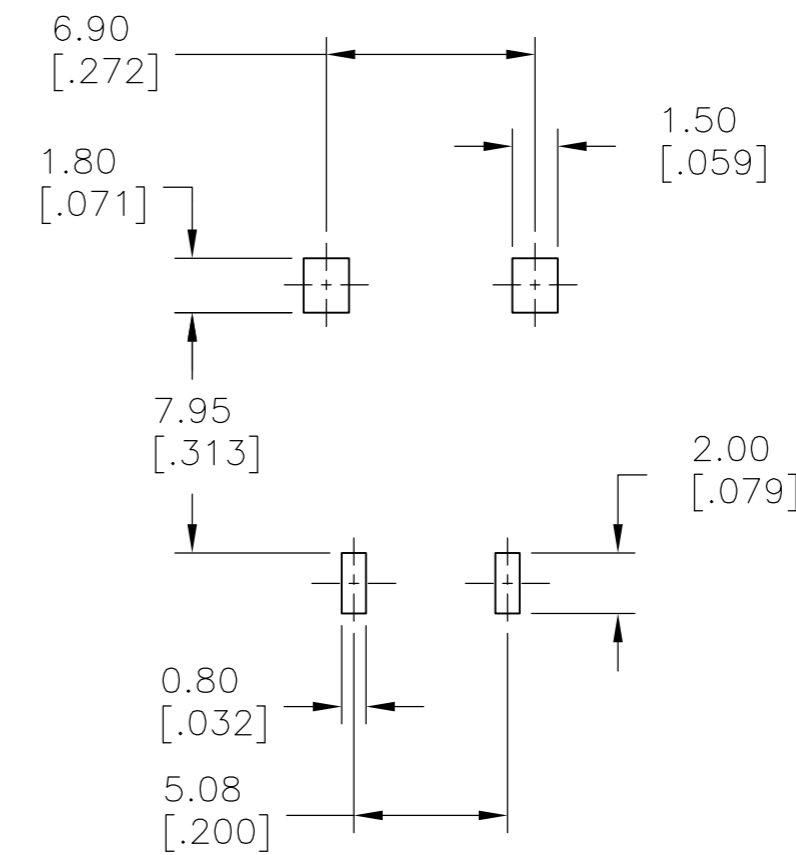
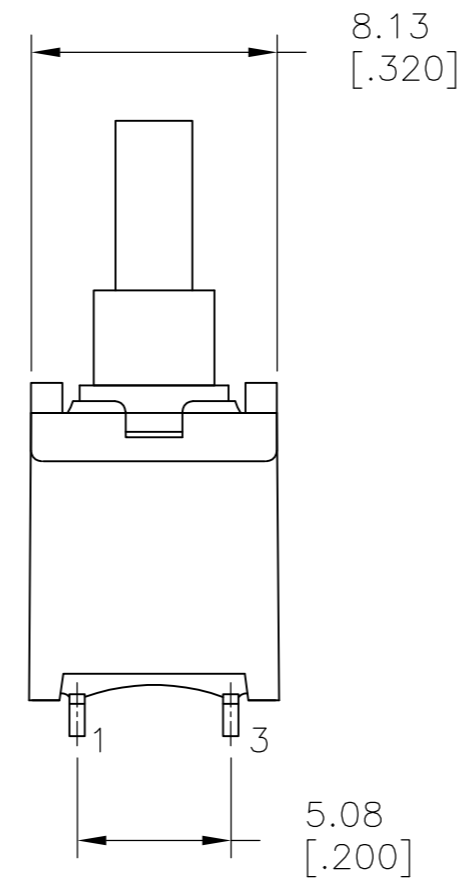
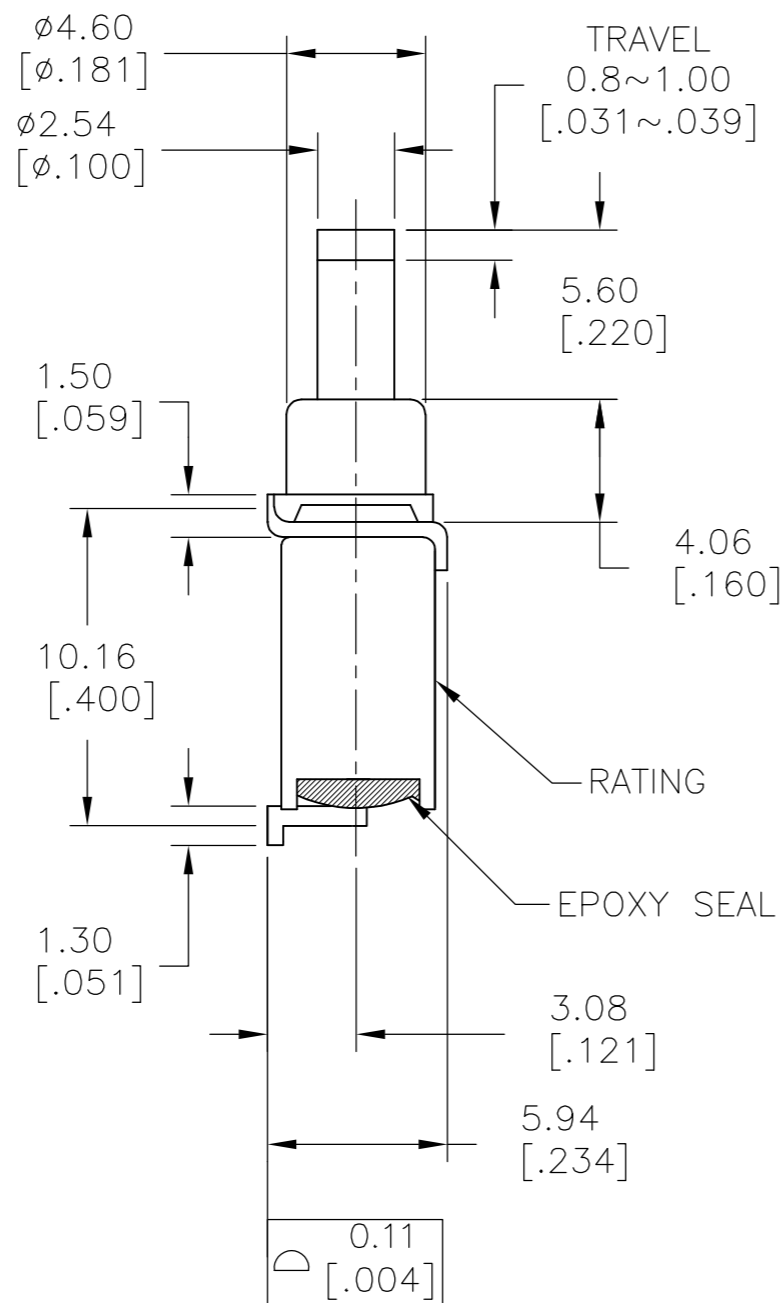
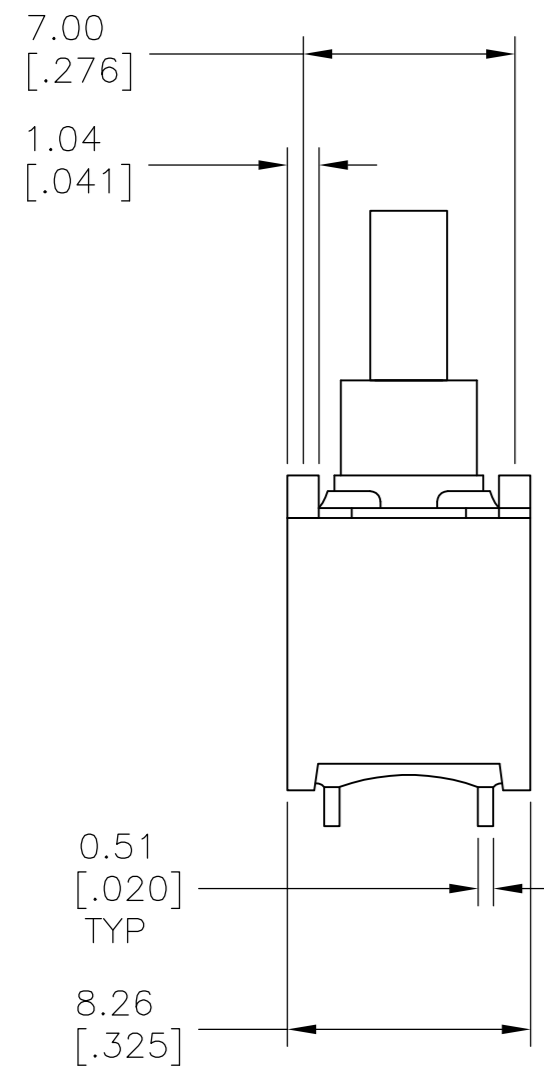


REVISIONS					
P	LTR	DESCRIPTION	DATE	DWN	APVD
A1		REVISED PER ECR-16-011788	22AUG2016	RS	SS

SPECIFICATIONS

MECHANICAL LIFE: 50,000 MAKE AND BREAK CYCLES.
 CONTACT RESISTANCE: 20 mΩ MAX. INITIAL @ 2-4VDC
 100mA FOR GOLD PLATED CONTACTS.
 INSULATION RESISTANCE: 1,000 MΩ MIN.
 DIELECTRIC STRENGTH: 1,000V RMS MIN @SEA LEVEL.
 OPERATING TEMPERATURE: -30°C TO 85°C.
 CONTACT RATING: 0.4VA MAX @ 20V MAX (AC OR DC)
 SEALED PER IP67.



P.C. MOUNTING

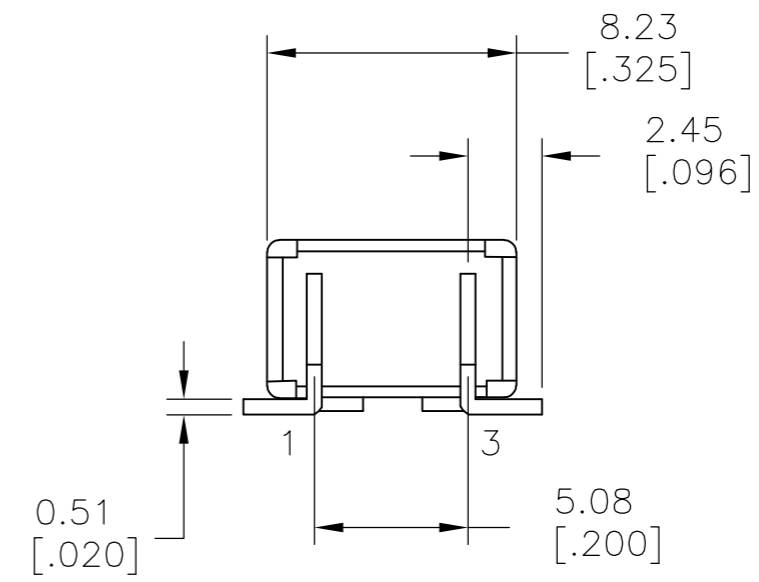
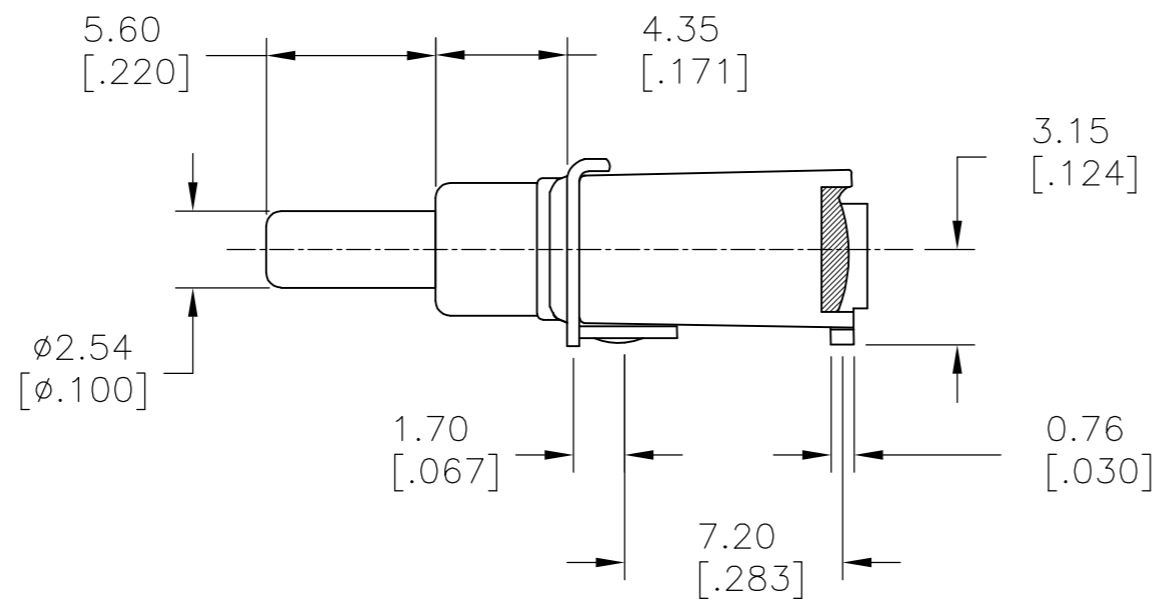
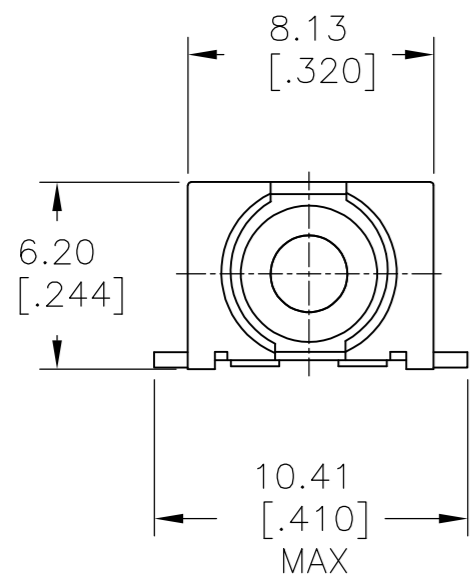
VERTICAL LAYOUT

VERTICAL, SMT	1-3	-	OFF-(ON)	1	1	PBS9MZRES	2267130-4
RIGHT ANGLE, SMT	1-3	-	OFF-(ON)	1	1	PBS9MTRES	2267130-3
VERTICAL, SMT	2-3	2-1	ON-(ON)	1	1	PBS8MZRES	2267130-2
RIGHT ANGLE, SMT	2-3	2-1	ON-(ON)	1	1	PBS8MTRES	2267130-1
TERMINATION	POS 2	POS 1	FUNCTION	THROWS	POLES	TE DESCRIPTIVE PART NUMBER	TE PART NUMBER

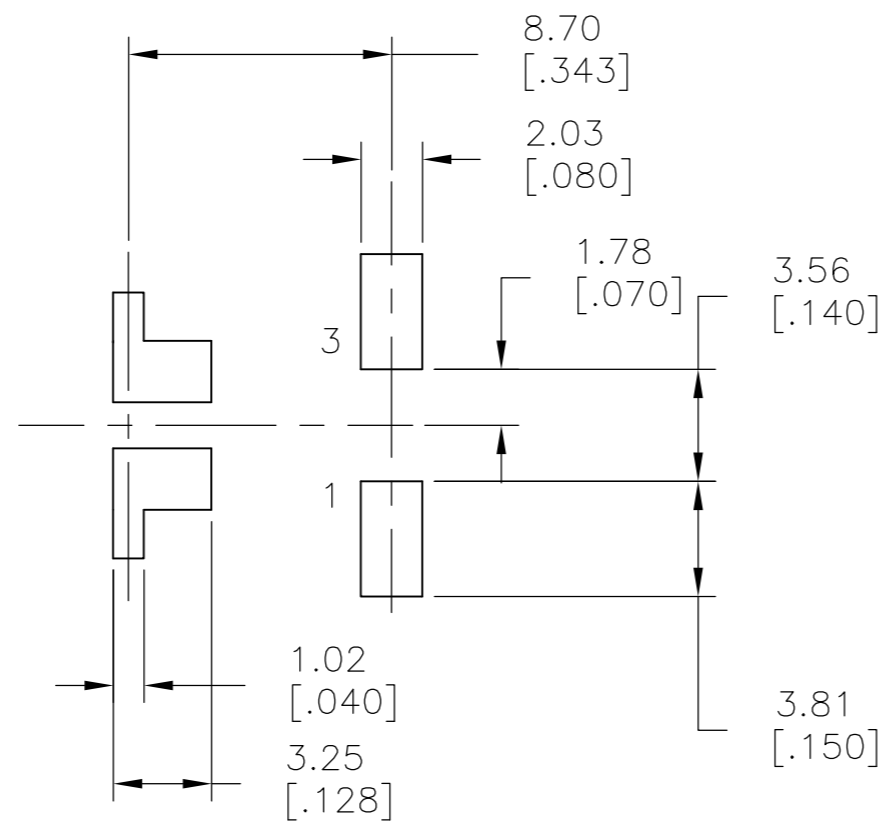
THIS DRAWING IS A CONTROLLED DOCUMENT.		DWN NAGALAKSHMI K 20JUN2014														
DIMENSIONS: mm [INCHES]		CHK HILL RYAN 20JUN2014														
TOLERANCES UNLESS OTHERWISE SPECIFIED:		APVD HILL RYAN 20JUN2014	NAME SUBMINIATURE PUSHBUTTON SWITCH, SEALED, SMT													
<table border="1"> <tr><td>0 PLC</td><td>± -</td></tr> <tr><td>1 PLC</td><td>± 0.40[.015]</td></tr> <tr><td>2 PLC</td><td>± 0.25[.010]</td></tr> <tr><td>3 PLC</td><td>± -</td></tr> <tr><td>4 PLC</td><td>± -</td></tr> <tr><td>ANGLES</td><td>± 5°</td></tr> </table>		0 PLC	± -	1 PLC	± 0.40[.015]	2 PLC	± 0.25[.010]	3 PLC	± -	4 PLC	± -	ANGLES	± 5°	PRODUCT SPEC	SIZE A2	
0 PLC	± -															
1 PLC	± 0.40[.015]															
2 PLC	± 0.25[.010]															
3 PLC	± -															
4 PLC	± -															
ANGLES	± 5°															
MATERIAL		APPLICATION SPEC	CAGE CODE -	DRAWING NO C=2267130												
FINISH		WEIGHT	RESTRICTED TO -	SCALE 1:1												
CUSTOMER DRAWING			SHEET 1 of 2	REV A1												

THIS DRAWING IS UNPUBLISHED. RELEASED FOR PUBLICATION
 © COPYRIGHT - By - ALL RIGHTS RESERVED.

REVISIONS				
P	LTR	DESCRIPTION	DATE	APVD
-	-	SEE SHEET 1	-	-



RIGHT ANGLE LAYOUT



P.C. MOUNTING

THIS DRAWING IS A CONTROLLED DOCUMENT.		DWN NAGALAKSHMI K 20JUN2014		
DIMENSIONS: mm [INCHES]		CHK HILL RYAN 20JUN2014		
TOLERANCES UNLESS OTHERWISE SPECIFIED:		APVD HILL RYAN 20JUN2014	NAME SUBMINIATURE PUSHBUTTON SWITCH, SEALED, SMT	
0 PLC ± - 1 PLC ± 0.40[.015] 2 PLC ± 0.25[.010] 3 PLC ± - 4 PLC ± - ANGLES ± 5°		PRODUCT SPEC -	SIZE A2	CAGE CODE -
MATERIAL		FINISH	WEIGHT -	DRAWING NO C=2267130
			CUSTOMER DRAWING	RESTRICTED TO -
			SCALE 1:1	SHEET 2 OF 2
				REV A1

X-ON Electronics

Largest Supplier of Electrical and Electronic Components

Click to view similar products for [Pushbutton Switches](#) category:

Click to view products by [TE Connectivity](#) manufacturer:

Other Similar products are found below :

[8940K2012](#) [LW1L-M1C10V-A](#) [LW1L-M1C70-A](#) [LW2L-A1C20M-GD](#) [LW2L-M1C20M-A](#) [60324L](#) [M22-D-R-GB0/K11](#) [M7E-HRN2](#)
[67021K512](#) [67081K512X](#) [701PB580](#) [7199K101](#) [810K12910](#) [810KSV30B](#) [MML21EA2ADK](#) [MML21KA3ABK](#) [MML23KA3AC05K-001](#)
[MML23KW3AA01W](#) [8418K2](#) [8442K2](#) [8442K3](#) [8450K1](#) [860K11911T01A](#) [861901](#) [861K11911T01A07](#) [861K13810T00A14](#) [861K13911](#)
[8646AB6X718UL](#) [8646ABUL](#) [9001KXRK](#) [907AYY100](#) [PMHD155A1](#) [9533CD4+U574+U4922](#) [95-414.000](#) [99-450.837](#) [99-453.837](#)
[PV3H2B0NN-341](#) [1203MRA](#) [A22NZBGANGA](#) [A22NZBNANGA](#) [A22NZMPATRA](#) [A2PMA1X03EC56](#) [A3A-5123-02](#) [A3A-7140](#) [A3A-7310](#) [A3A-7340](#) [A3U-TMW-A2C-5M](#) [A595](#) [12037A2ULCSA](#) [ABD122N-B](#)